



# Omnidirectional Electret Condenser Microphone Specification

## Series P6022

Model Number: P6022PD403LFP

Version 1.0

Address: 28 Genting Lane, #08-07 Platinum 28, Singapore 349585

Tel: +65-6493 5035

Fax: +65-6493 5037

Website: <http://www.flezon.com>

Email: [flezon@flezon.com](mailto:flezon@flezon.com)

ALL RIGHTS ARE STRICTLY RESERVED. ANY PORTION OF THIS PAPER SHALL NOT BE REPRODUCED, COPIED, OR TRANSLATED TO ANY OTHER FORMS WITHOUT PERMISSION FROM FLEXXON GLOBAL LIMITED.

## 1. ELECTRICAL SPECIFICATIONS



Model No.: P6022PD403LFP

Description: MIC OMN 6022 2V 2.2KR 40/3 PIN SP RoHS

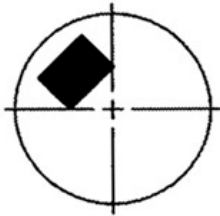
MODEL NO.		P6022PD403LFP
DIAMETER ( A ) $\pm 0.1$	mm	Ø 6.0
HEIGHT ( B ) $\pm 0.2$	mm	2.2
SENSITIVITY ( 0 dB = 1V / Pa ) AT 1K Hz	dB	- 40.0 $\pm$ 3.0
DIRECTIVITY		OMNIDIRECTIONAL
POWER SUPPLY ( Vs )	V	2.0
RESISTANCE LOADING ( RL )	$\Omega$	2.2 K
OPERATING VOLTAGE RANGE	V	1.0 ~ 10.0
MAX. CURRENT	mA	0.5
TERMINAL		PIN
HOUSING MATERIAL		ALUMINUM
S / N RATIO	dB	MORE THEN 60.0
FREQUENCY RANGE	Hz	50 ~ 16000

## 2. PHYSICAL DIMENSION

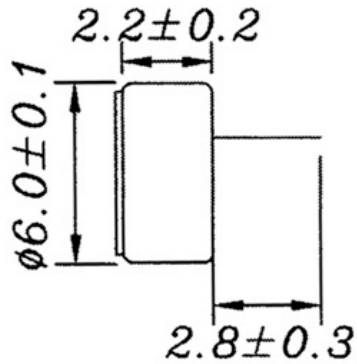


All dimensions stated are in mm

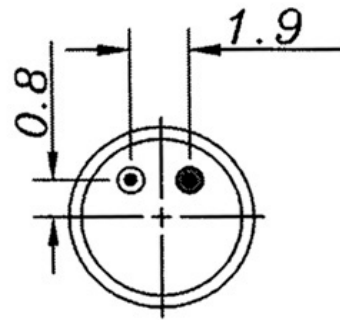
TOP VIEW



SIDE VIEW

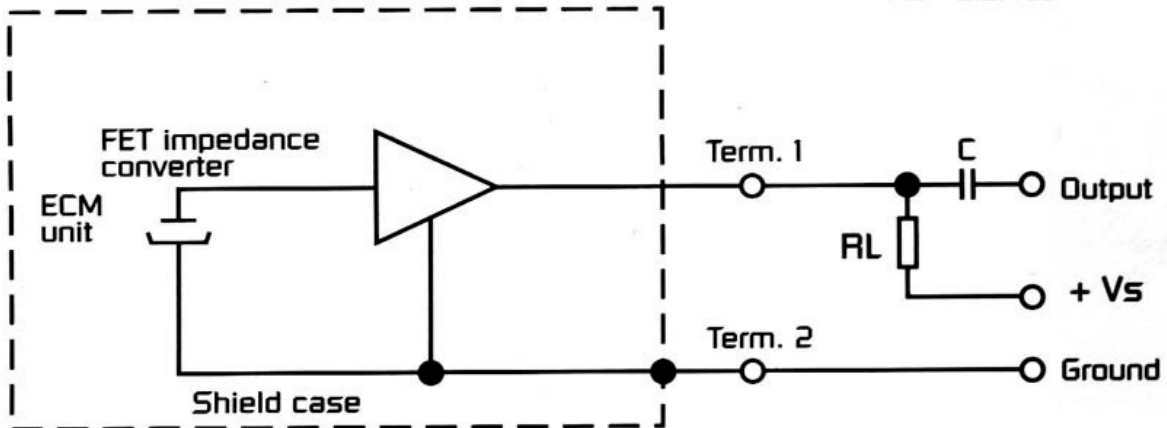


BOTTOM VIEW



## SCHEMATIC DIAGRAM

$V_s = 2V$   
 $R_L = 2.2K \Omega$



## Revision History

Revision	Date	Description
1.0	2005.12	First Released

FLEZON CONFIDENTIAL