



Omnidirectional Electret Condenser Microphone Specification

Series P6052

Model Number: P6052PD423LF

Version 1.0

Address: 28 Genting Lane, #08-07 Platinum 28, Singapore 349585

Tel: +65-6493 5035

Fax: +65-6493 5037

Website: <http://www.flezon.com>

Email: flezon@flezon.com

ALL RIGHTS ARE STRICTLY RESERVED. ANY PORTION OF THIS PAPER SHALL NOT BE REPRODUCED, COPIED, OR TRANSLATED TO ANY OTHER FORMS WITHOUT PERMISSION FROM FLEXXON GLOBAL LIMITED.

1. ELECTRICAL SPECIFICATIONS



Model No.: P6052PD423LF

Description: MIC OMN 6052 2V 2.2KR 42/3 RoHS

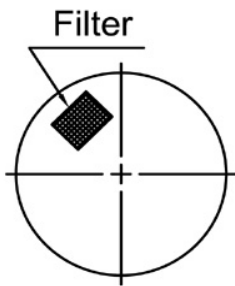
MODEL NO.		P6052PD423LF
DIAMETER (A) ± 0.1	mm	$\varnothing 6.0$
HEIGHT (B) ± 0.2	mm	5.2
SENSITIVITY (0 dB = 1V / Pa) AT 1K Hz	dB	- 42.0 \pm 3.0
DIRECTIVITY		OMNIDIRECTIONAL
POWER SUPPLY (Vs)	V	2.0
RESISTANCE LOADING (RL)	Ω	2.2 K
OPERATING VOLTAGE RANGE	V	1.0 ~ 10.0
MAX. CURRENT	mA	0.5
TERMINAL		NIL
HOUSING MATERIAL		ALUMINUM
S / N RATIO	dB	MORE THEN 58.0
FREQUENCY RANGE	Hz	50 - 16000

2. PHYSICAL DIMENSION

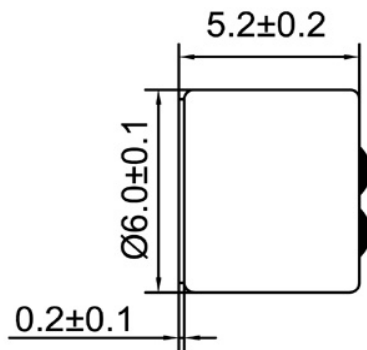


All dimensions stated are in mm

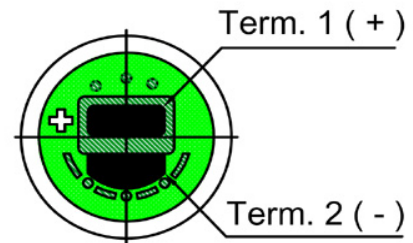
TOP VIEW



SIDE VIEW

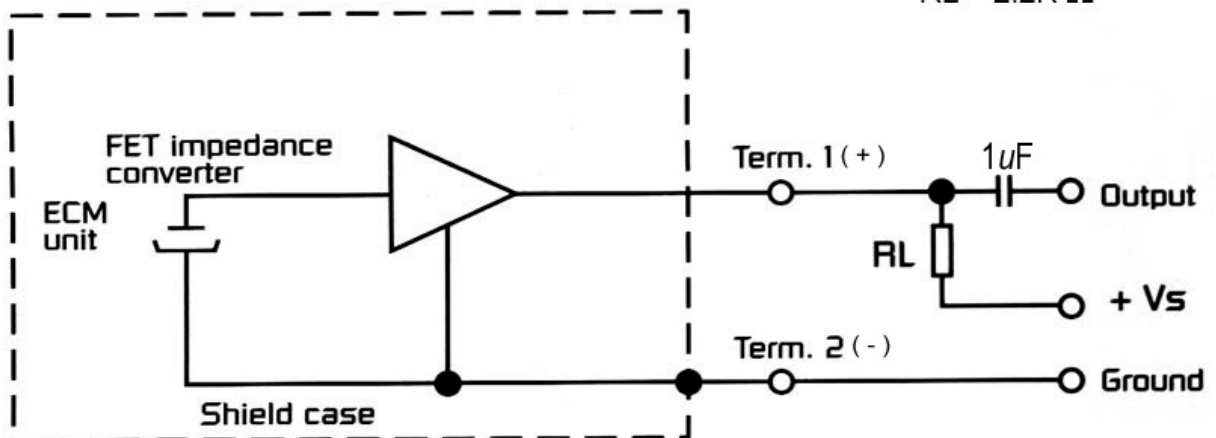


BOTTOM VIEW



SCHEMATIC DIAGRAM

$V_s = 2V$
 $R_L = 2.2K \Omega$



Revision History

Revision	Date	Description
1.0	2012.08	Modify Draw & S/N Ratio

FLEZON CONFIDENTIAL