



Omnidirectional Electret Condenser Microphone Specification

Series P9745

Model Number: P9745BD403LF

Version 1.0

Address: 28 Genting Lane, #08-07 Platinum 28, Singapore 349585

Tel: +65-6493 5035

Fax: +65-6493 5037

Website: <http://www.flezon.com>

Email: flezon@flezon.com

ALL RIGHTS ARE STRICTLY RESERVED. ANY PORTION OF THIS PAPER SHALL NOT BE REPRODUCED, COPIED, OR TRANSLATED TO ANY OTHER FORMS WITHOUT PERMISSION FROM FLEXXON GLOBAL LIMITED.

1. ELECTRICAL SPECIFICATIONS



Model No.: P9745BD403LF

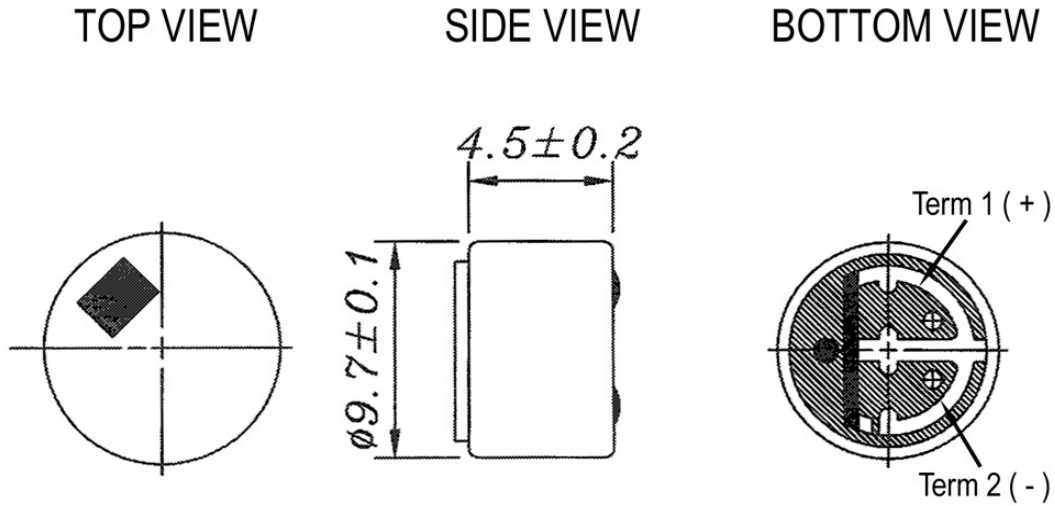
Description: MIC OMN 9745 1.5V 2.2KR 40/3 SP RoHS

| MODEL NO. | | P9745BD403LF |
|---|----------|------------------|
| DIAMETER (A) ± 0.1 | mm | Ø 9.7 |
| HEIGHT (B) ± 0.2 | mm | 4.5 |
| SENSITIVITY (0 dB = 1V / Pa) AT 1K Hz | dB | - 40.0 \pm 3.0 |
| DIRECTIVITY | | OMNIDIRECTIONAL |
| POWER SUPPLY (Vs) | V | 1.5 |
| RESISTANCE LOADING (RL) | Ω | 2.2 K |
| OPERATING VOLTAGE RANGE | V | 1.0 ~ 10.0 |
| MAX. CURRENT | mA | 0.5 |
| TERMINAL | | NIL |
| HOUSING MATERIAL | | ALUMINUM |
| S / N RATIO | dB | MORE THEN 60.0 |
| FREQUENCY RANGE | Hz | 50 ~ 16000 |

2. PHYSICAL DIMENSION

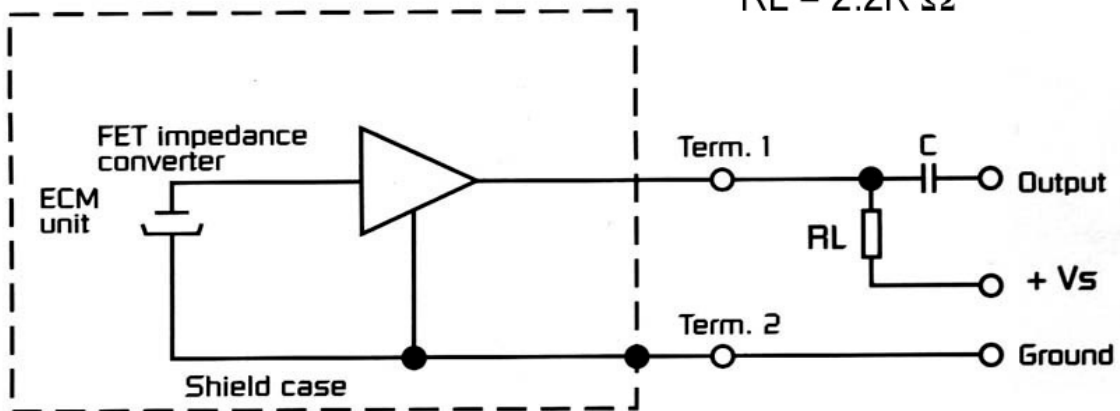


All dimensions stated are in mm



SCHEMATIC DIAGRAM

$V_s = 1.5V$
 $R_L = 2.2K \Omega$



Revision History

| Revision | Date | Description |
|----------|---------|----------------|
| 1.0 | 2005.10 | First Released |
| | | |
| | | |

FLEZON CONFIDENTIAL