



# Omnidirectional Electret Condenser Microphone Specification

## Series RY3015

Model Number: RY3015CD443LF

Version 1.0

Address: 28 Genting Lane, #08-07 Platinum 28, Singapore 349585

Tel: +65-6493 5035

Fax: +65-6493 5037

Website: <http://www.flezon.com>

Email: [flezon@flezon.com](mailto:flezon@flezon.com)

ALL RIGHTS ARE STRICTLY RESERVED. ANY PORTION OF THIS PAPER SHALL NOT BE REPRODUCED, COPIED, OR TRANSLATED TO ANY OTHER FORMS WITHOUT PERMISSION FROM FLEXXON GLOBAL LIMITED.

# 1. ELECTRICAL SPECIFICATIONS



**Model No.: RY3015CD443LF**

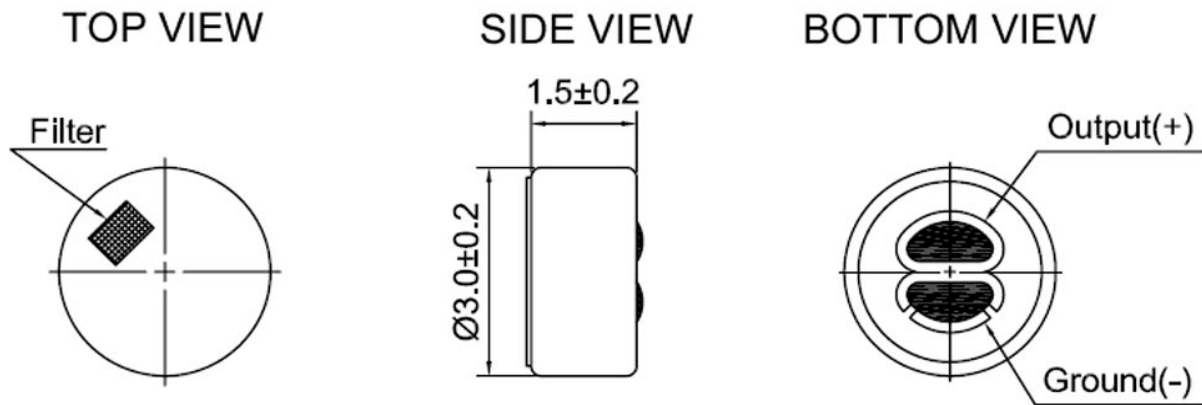
**Description: MIC IC B OMN 3015 2V 2.2KR 44/3 RoHS  
INTERNAL ADD 33 pF CAP**

MODEL NO.		RY3015CD443LF
DIAMETER ( A ) $\pm 0.2$	mm	$\varnothing 3.0$
HEIGHT ( B ) $\pm 0.2$	mm	1.5
SENSITIVITY ( 0 dB = 1V / Pa ) AT 1K Hz	dB	- 44.0 $\pm$ 3.0
DIRECTIVITY		OMNIDIRECTIONAL
POWER SUPPLY ( Vs )	V	2.0
RESISTANCE LOADING ( RL )	$\Omega$	2.2 K
OPERATING VOLTAGE RANGE	V	1.0 ~ 10.0
MAX. CURRENT	mA	0.5
TERMINAL		NIL
HOUSING MATERIAL		ALUMINUM
S / N RATIO	dB	MORE THAN 58.0
FREQUENCY RANGE	Hz	100 ~ 10000

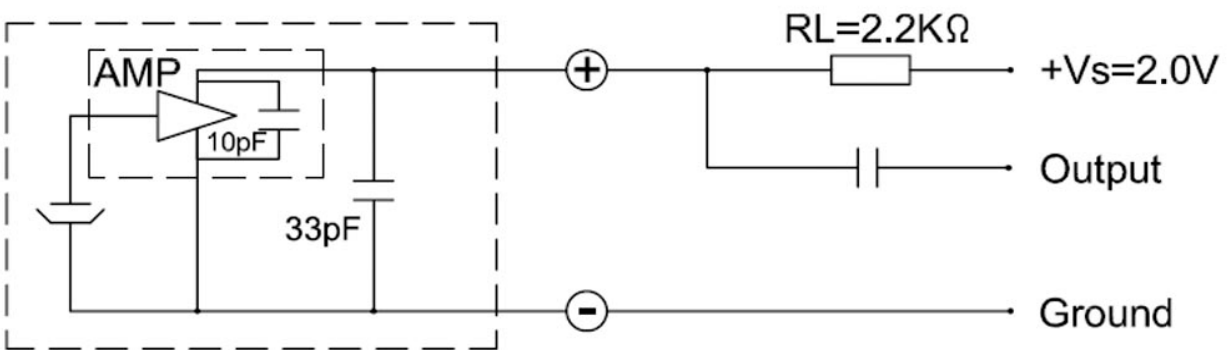
## 2. PHYSICAL DIMENSION



All dimensions stated are in mm



## SCHEMATIC DIAGRAM



## Revision History

Revision	Date	Description
1.0	2011.08	Modify PCB Draw & Electrical Specification

FLEZON CONFIDENTIAL