



Magnetic Buzzer Specification

Series STFZ

Model Number: STFZ12LFMP

Version 1.0

Address: 28 Genting Lane, #08-07 Platinum 28, Singapore 349585

Tel: +65-6493 5035

Fax: +65-6493 5037

Website: <http://www.flezon.com>

Email: flezon@flezon.com

ALL RIGHTS ARE STRICTLY RESERVED. ANY PORTION OF THIS PAPER SHALL NOT BE REPRODUCED, COPIED, OR TRANSLATED TO ANY OTHER FORMS WITHOUT PERMISSION FROM FLEXXON GLOBAL LIMITED.

1. ELECTRICAL SPECIFICATIONS



Model No.: STFZ12LFMP

Description: MT BUZZER SINGLE 12V SMD PPS TUBE PACKING
LEAD FREE MATERIAL (RoHS)

MODEL NO.	STFZ12LFMP
<i>OPERATING VOLTAGE RANGE</i> (VDC)	8.0 ~ 15.0
<i>RATED VOLTAGE</i> (VDC)	12
* <i>MAX. RATED CURRENT</i> (mA)	30.0
* <i>MIN. SOUND OUTPUT</i> (dBA/ 10 cm)	85
* <i>FREQUENCY</i> (Hz)	2300 +/- 300
<i>TONE NATURE</i>	SINGLE
<i>OPERATING TEMPERATURE</i> (° C)	- 20 ~ + 70
<i>TERMINAL</i>	SMD
<i>HOUSING MATERIAL</i>	PPS
<i>WEIGHT</i> (g)	2.0

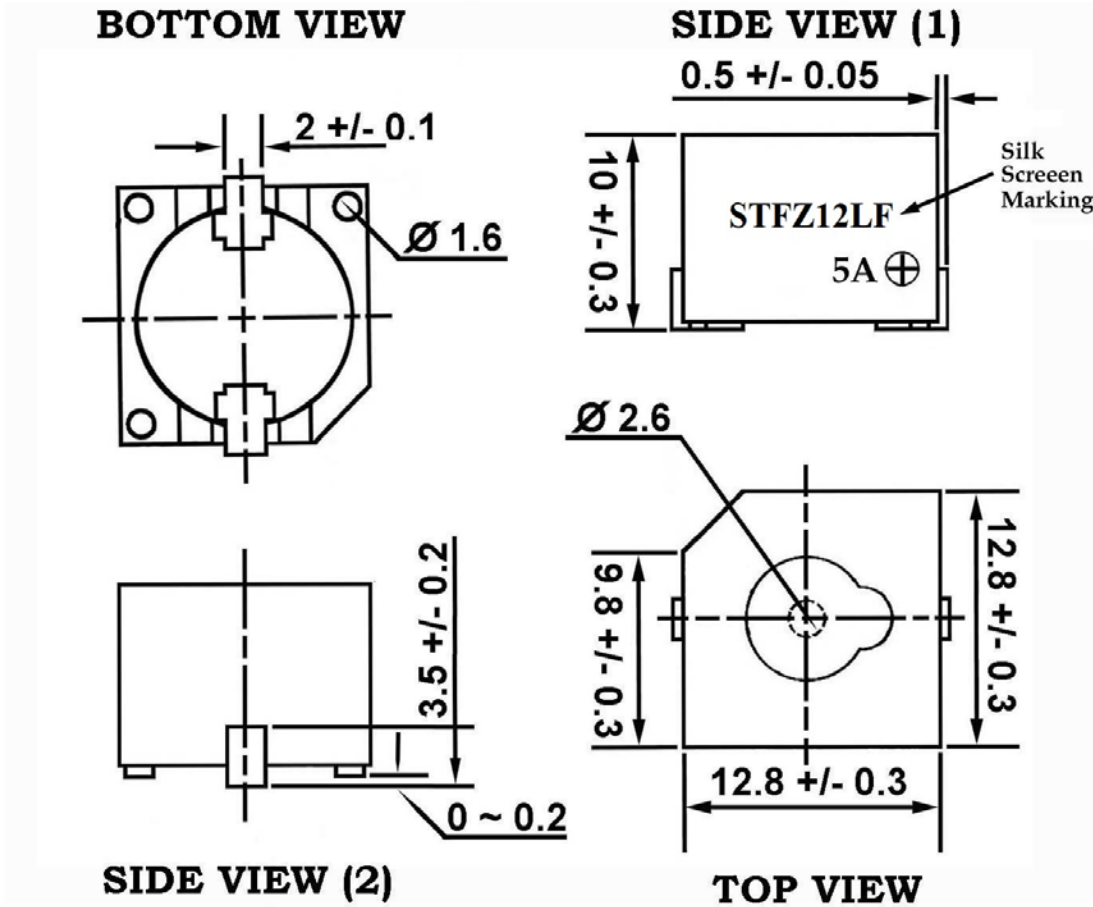
* Value applying at rated voltage

FLEZON CONFIDENTIAL

2. PHYSICAL DIMENSION



All dimensions stated are in mm



FLEZON

Revision History

Revision	Date	Description
1.0	2005.06	First Released

FLEZON CONFIDENTIAL