



# Magnetic Buzzer Specification

## Series SUFZ

Model Number: SUFZ12LFMP

Version 1.0

Address: 28 Genting Lane, #08-07 Platinum 28, Singapore 349585

Tel: +65-6493 5035

Fax: +65-6493 5037

Website: <http://www.flezon.com>

Email: [flezon@flezon.com](mailto:flezon@flezon.com)

ALL RIGHTS ARE STRICTLY RESERVED. ANY PORTION OF THIS PAPER SHALL NOT BE REPRODUCED, COPIED, OR TRANSLATED TO ANY OTHER FORMS WITHOUT PERMISSION FROM FLEXXON GLOBAL LIMITED.

# 1. ELECTRICAL SPECIFICATIONS

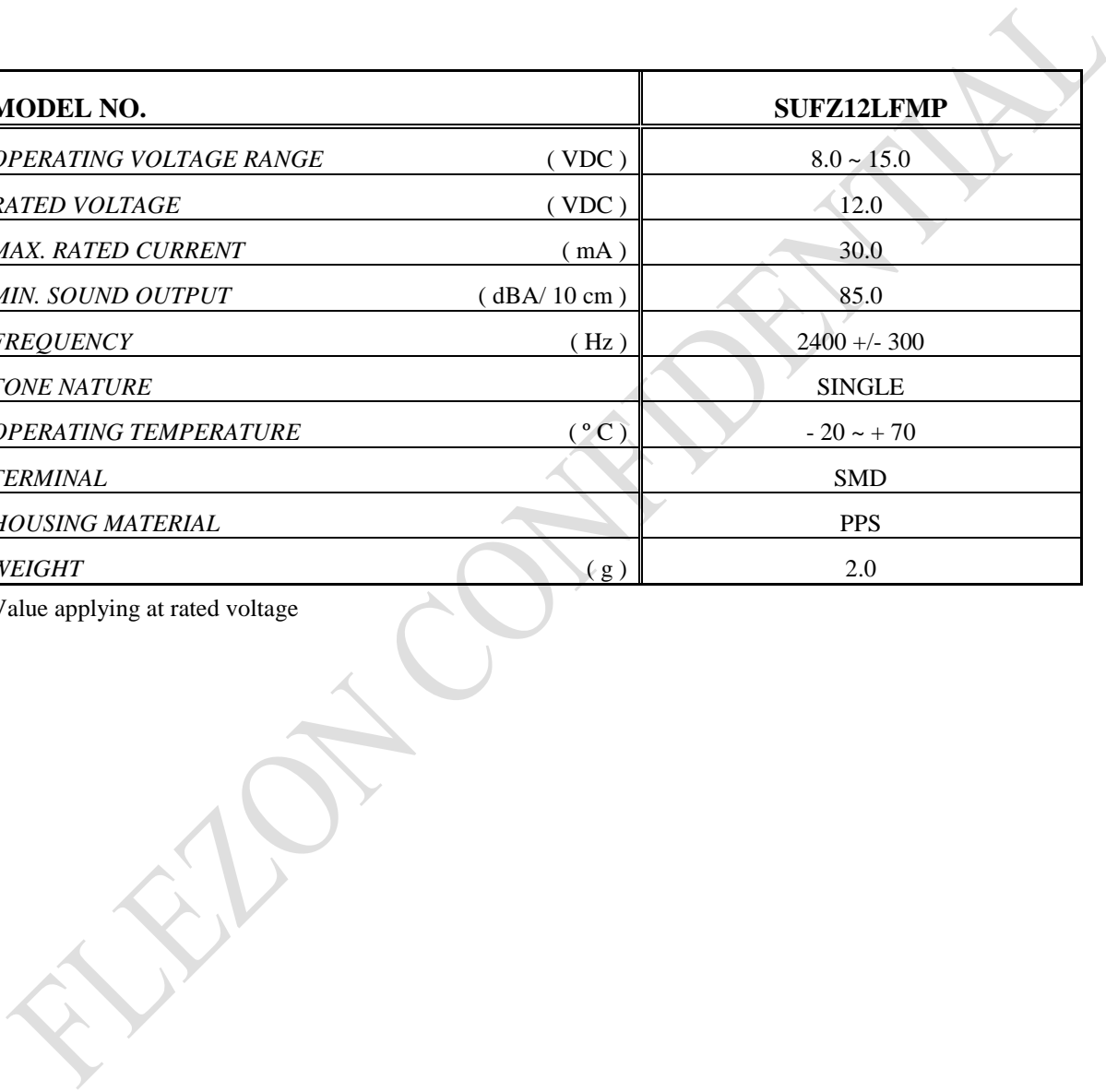


**Model No.:** SUFZ12LFMP

**Description:** MT BUZZER SINGLE 12V SMD PPS SP  
1) KAPTON LABEL 2) LEAD FREE MATERIAL (RoHS)

MODEL NO.	SUFZ12LFMP
<i>OPERATING VOLTAGE RANGE</i> ( VDC )	8.0 ~ 15.0
<i>RATED VOLTAGE</i> ( VDC )	12.0
* <i>MAX. RATED CURRENT</i> ( mA )	30.0
* <i>MIN. SOUND OUTPUT</i> ( dBA/ 10 cm )	85.0
* <i>FREQUENCY</i> ( Hz )	2400 +/- 300
<i>TONE NATURE</i>	SINGLE
<i>OPERATING TEMPERATURE</i> ( °C )	- 20 ~ + 70
<i>TERMINAL</i>	SMD
<i>HOUSING MATERIAL</i>	PPS
<i>WEIGHT</i> ( g )	2.0

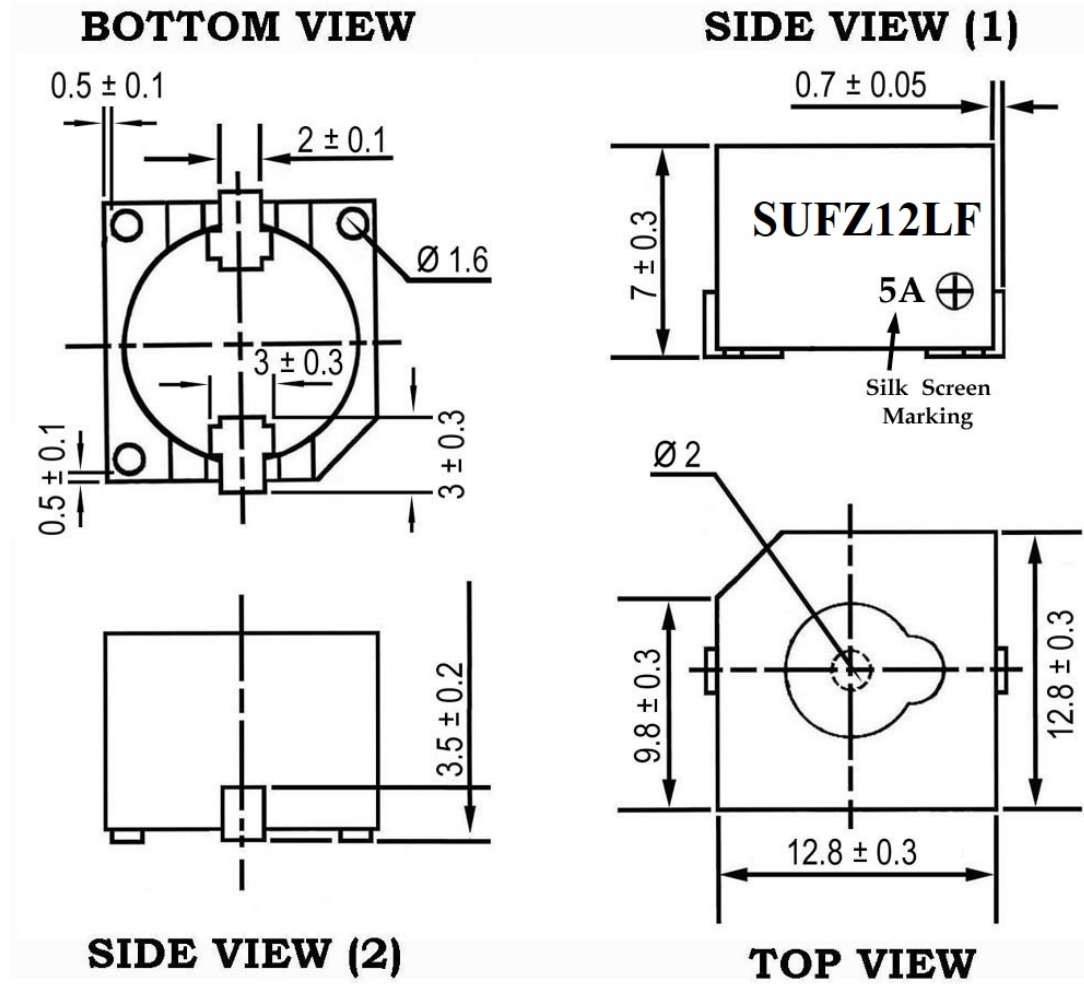
\* Value applying at rated voltage



## 2. PHYSICAL DIMENSION



All dimensions stated are in mm



FLEZ

## Revision History

Revision	Date	Description
1.0	2005.06	First Released

FLEZON CONFIDENTIAL