



Magnetic Transducer Specification

Series SWX

Model Number: SWX05LFPH

Version 1.0

Address: 28 Genting Lane, #08-07 Platinum 28, Singapore 349585

Tel: +65-6493 5035

Fax: +65-6493 5037

Website: <http://www.flezon.com>

Email: flezon@flezon.com

1. ELECTRICAL SPECIFICATIONS



Model No.: SWX05LFPH

Description: MT TRANSDUCER 5V PIN NORYL
LEAD FREE MATERIAL

<i>MODEL NO.</i>	<u>SWX05LFPH</u>
<i>OPERATING VOLTAGE RANGE (V)</i>	3.0 ~ 8.0
<i>RATED VOLTAGE (V)</i>	5.0
+ <i>MAX. RATED CURRENT (mA)</i>	50
<i>COIL RESISTANCE (Ω)</i>	40.0 \pm 5.0
<i>COIL IMPEDANCE (Ω)</i>	80
+ <i>MIN. SOUND OUTPUT at 10cm (dBA)</i>	85
<i>RESONANT FREQUENCY (Hz)</i>	2400
<i>OPERATING TEMPERATURE ($^{\circ}$ C)</i>	- 40 ~ + 85
<i>TERMINAL</i>	PIN
<i>HOUSING MATERIAL</i>	PBT
<i>WEIGHT (g)</i>	2.0

+ Value applying rated voltage resonant frequency, 1/2 duty, square wave

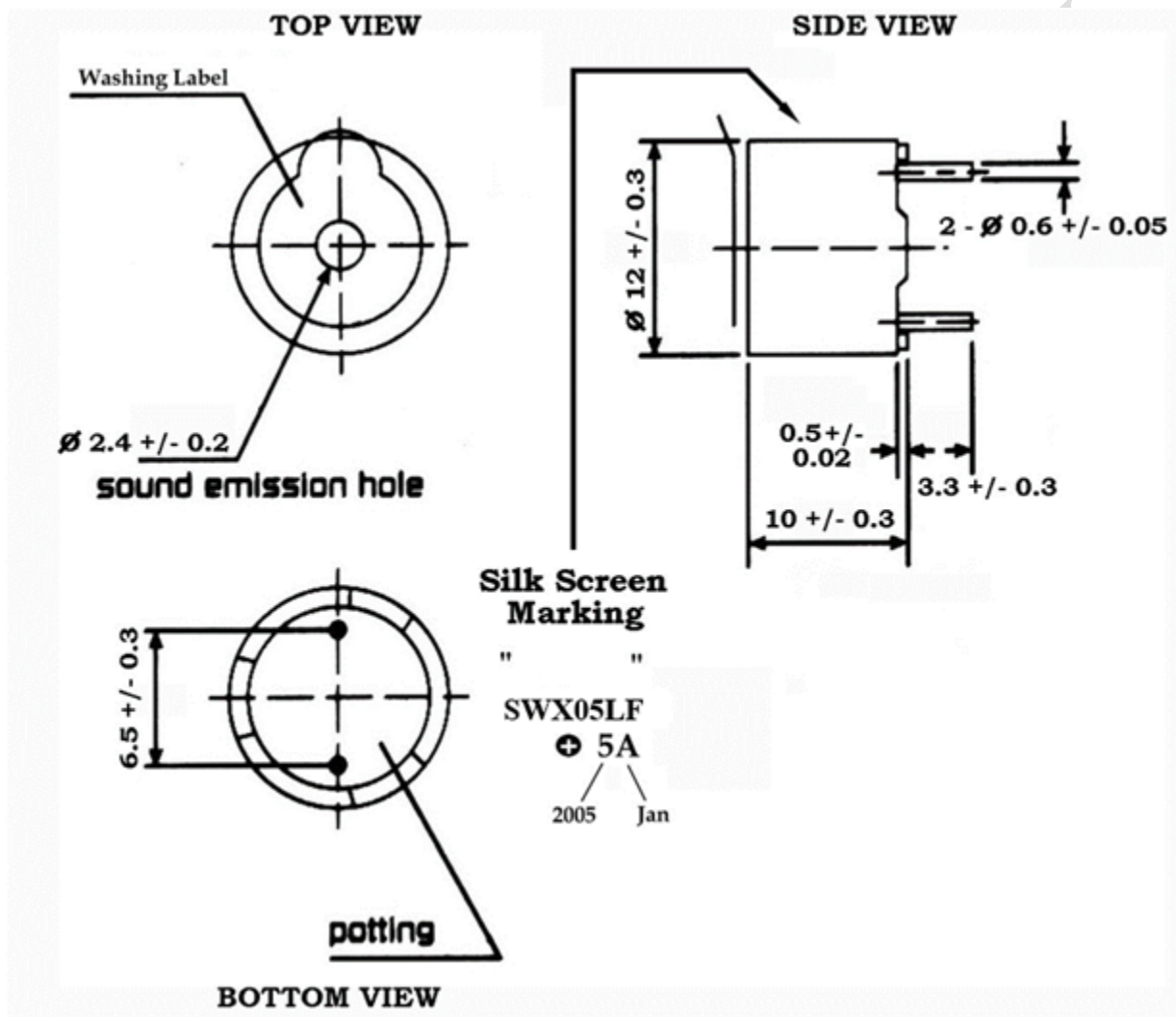
* Value applying resonant frequency, 1/2 duty, square wave, measuring current 60uA

2. PHYSICAL DIMENSION



All dimensions stated are in mm

Tolerance: $\pm 0.2\text{mm}$



Revision History

Revision	Date	Description
1.0	2006/05	First release

FLEZON CONFIDENTIAL