



Magnetic Transducer Specification

Series TWX

Model Number: TWX12LFPN

Version 1.0

Address: 28 Genting Lane, #08-07 Platinum 28, Singapore 349585

Tel: +65-6493 5035

Fax: +65-6493 5037

Website: <http://www.flezon.com>

Email: flezon@flezon.com

1. ELECTRICAL SPECIFICATIONS



Model No.: TWX12LFPN

Description: MT TRANSDUCER 12V PIN NORYL 1700 TO 2200 Hz
SP RoHS

<i>MODEL NO.</i>	<u>TWX12LFPN</u>
<i>OPERATING VOLTAGE RANGE (V)</i>	6.0 ~ 18.0
<i>RATED VOLTAGE (V)</i>	12.0
+ <i>MAX. RATED CURRENT (mA)</i>	50.0
<i>COIL RESISTANCE (Ω)</i>	135.0 \pm 20.0
<i>COIL IMPEDANCE (Ω)</i>	210.0
+ <i>MIN. SOUND OUTPUT at 10cm (dBA)</i>	85.0 (2048 Hz)
<i>RESONANT FREQUENCY (Hz)</i>	1700 ~ 2200 (Min. 80.0 dBA)
<i>OPERATING TEMPERATURE ($^{\circ}$C)</i>	- 40.0 ~ + 90.0
<i>TERMINAL</i>	PIN
<i>HOUSING MATERIAL</i>	NORYL
<i>WEIGHT (g)</i>	4.0

+ Value applying rated voltage resonant frequency, 1/2 duty, square wave

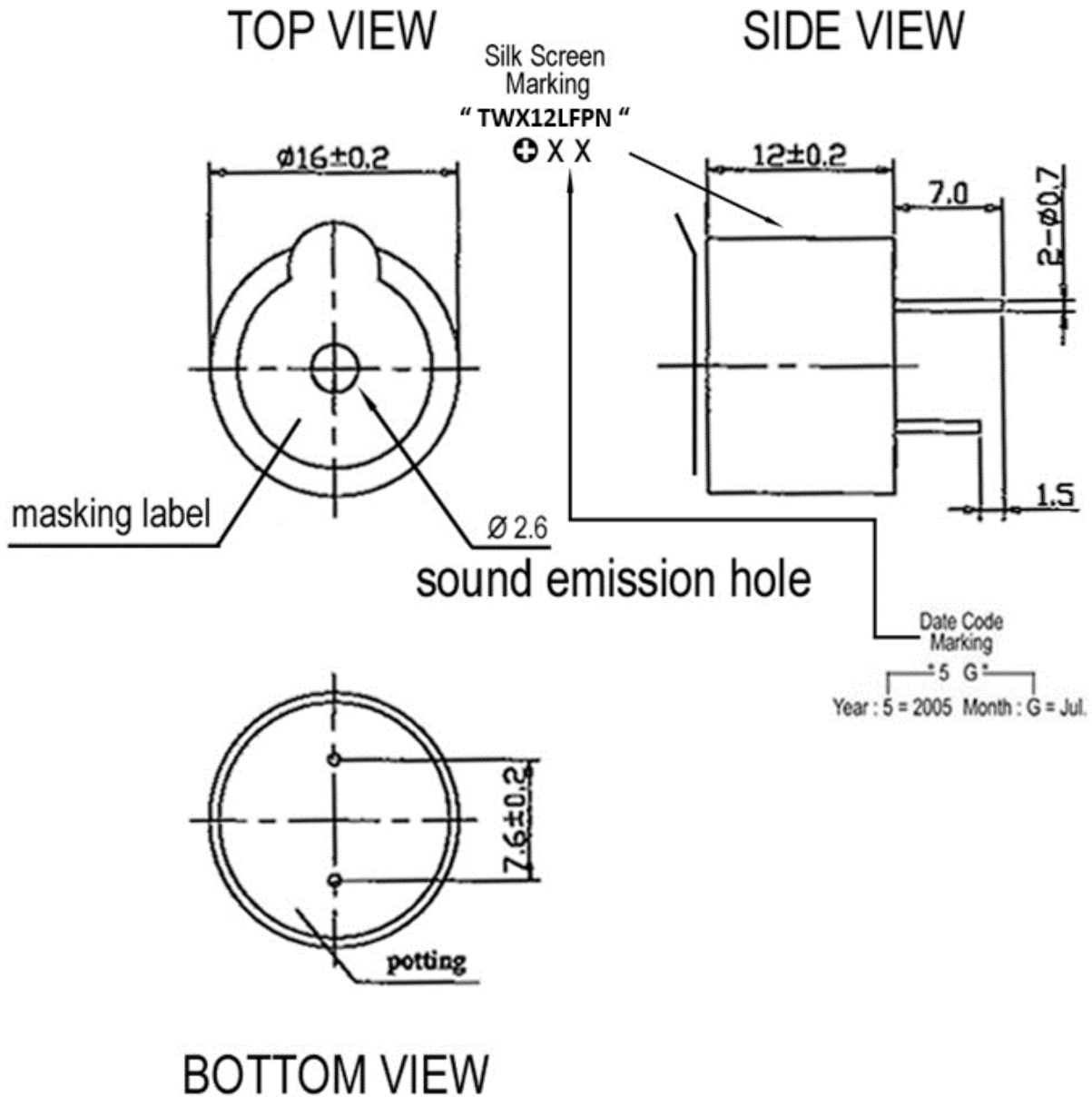
* Value applying resonant frequency, 1/2 duty, square wave, measuring current 60uA

2. PHYSICAL DIMENSION



All dimensions stated are in mm

Tolerance: $\pm 0.2\text{mm}$



Revision History

Revision	Date	Description
1.0	2006/05	First release

FLEZON CONFIDENTIAL