



# Loud Speaker Specification

## Series U40IA

Model Number: U40IA070008LFSM

Version 1.0

Address: 28 Genting Lane, #08-07 Platinum 28, Singapore 349585

Tel: +65-6493 5035

Fax: +65-6493 5037

Website: <http://www.flezon.com>

Email: [flezon@flezon.com](mailto:flezon@flezon.com)

ALL RIGHTS ARE STRICTLY RESERVED. ANY PORTION OF THIS PAPER SHALL NOT BE REPRODUCED, COPIED, OR TRANSLATED TO ANY OTHER FORMS WITHOUT PERMISSION FROM FLEXXON GLOBAL LIMITED.

## 1. ELECTRICAL SPECIFICATIONS



**Model No.:** U40IA070008LFSM

**Description:** LS 40D 6.55H 14B 80hm F0 = 700Hz SP RoHS

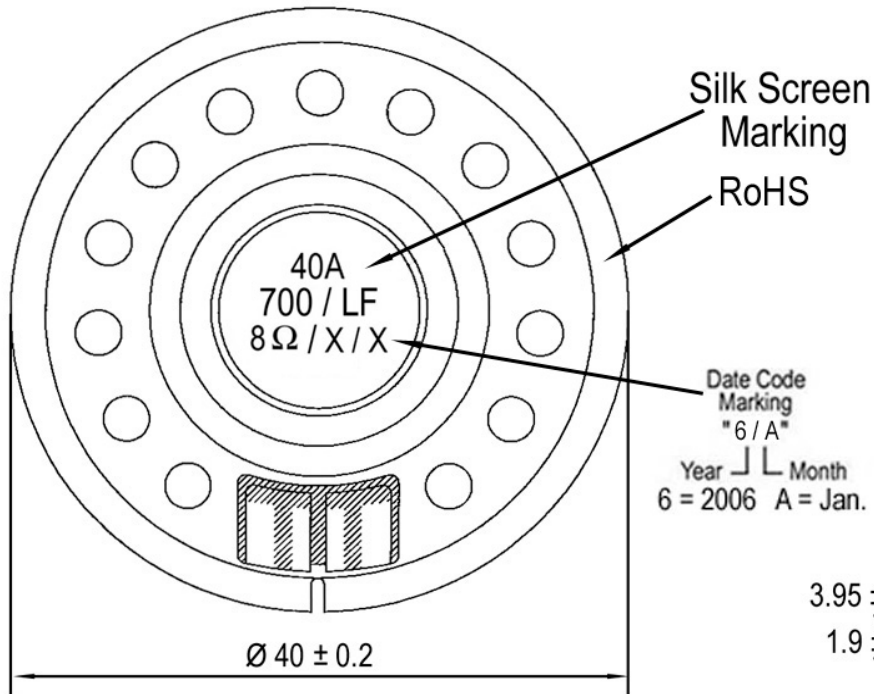
MODEL NO.	U40IA070008LFSM	
SHAPE	ROUND	
MAGNET ( Nd - Fe - B )	mm	Ø 9.5 X 1.5
DIAMETER ( D ± 0.2 )	mm	Ø 40.0
HEIGHT ( H ± 0.3 )	mm	6.55
BACK DIA.( D ± 0.2 )	mm	Ø 14.0
R. FREQUENCY ± 20 %	Hz	700
RESPONSE FREQ. F0 TO	Hz	4.8 K
RATED POWER	W	0.5
MAX POWER	W	0.8
OUTPUT ( dB/0.1W(10 cm) AVE 0.8K,1.0K,1.2K,1.5K( Hz )	dB	92.0 ± 3.0
STANDARD IMPEDANCE ± 15 % AT 1V	Ω	8.0
TERMINAL	NIL	
BUZZER & RATTLES	2.0 V SINE WAVE	
DISTORTION	5.0% Max. ( 0.5 W 1.0 K Hz )	
OPERATING TEMPERATURE	°C	- 20.0 ~ + 55.0
HOUSING MATERIAL	METAL	
DIAPHRAGM MATERIAL	PAPER CONE	
WEIGHT	g	9.1 g

## 2. PHYSICAL DIMENSION

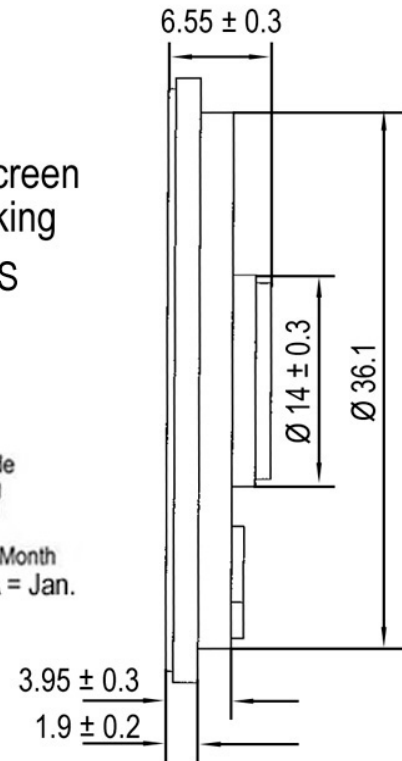


All dimensions stated are in mm

### BOTTOM VIEW



### SIDE VIEW



FLEZON



## Revision History

Revision	Date	Description
1.0	2006.13	First Released

FLEZON CONFIDENTIAL