



Magnetic Buzzer Specification

Series UFZ

Model Number: UFZ12LFPN

Version 1.0

Address: 28 Genting Lane, #08-07 Platinum 28, Singapore 349585

Tel: +65-6493 5035

Fax: +65-6493 5037

Website: <http://www.flezon.com>

Email: flezon@flezon.com

ALL RIGHTS ARE STRICTLY RESERVED. ANY PORTION OF THIS PAPER SHALL NOT BE REPRODUCED, COPIED, OR TRANSLATED TO ANY OTHER FORMS WITHOUT PERMISSION FROM FLEXXON GLOBAL LIMITED.

1. ELECTRICAL SPECIFICATIONS



Model No.: UFZ12LFPN

Description: MT BUZZER SINGLE 12VDC PIN NORYL SP RoHS

| <i>MODEL NO.</i> | <u>UFZ12LFPN</u> |
|--|------------------|
| <i>OPERATING VOLTAGE RANGE (VDC)</i> | 9.0 ~ 15.0 |
| <i>RATED VOLTAGE (VDC)</i> | 12.0 |
| * <i>MAX. RATED CURRENT (mA)</i> | 30.0 |
| * <i>MIN. SOUND OUTPUT (dBA / 10 cm)</i> | 83.0 |
| * <i>FREQUENCY (Hz)</i> | 2300 ± 400 |
| <i>TONE NATURE</i> | SINGLE |
| <i>OPERATING TEMPERATURE (°C)</i> | -20 ~ +70 |
| <i>TERMINAL</i> | PIN |
| <i>HOUSING MATERIAL</i> | NORYL |
| <i>WEIGHT (g)</i> | 2.0 |

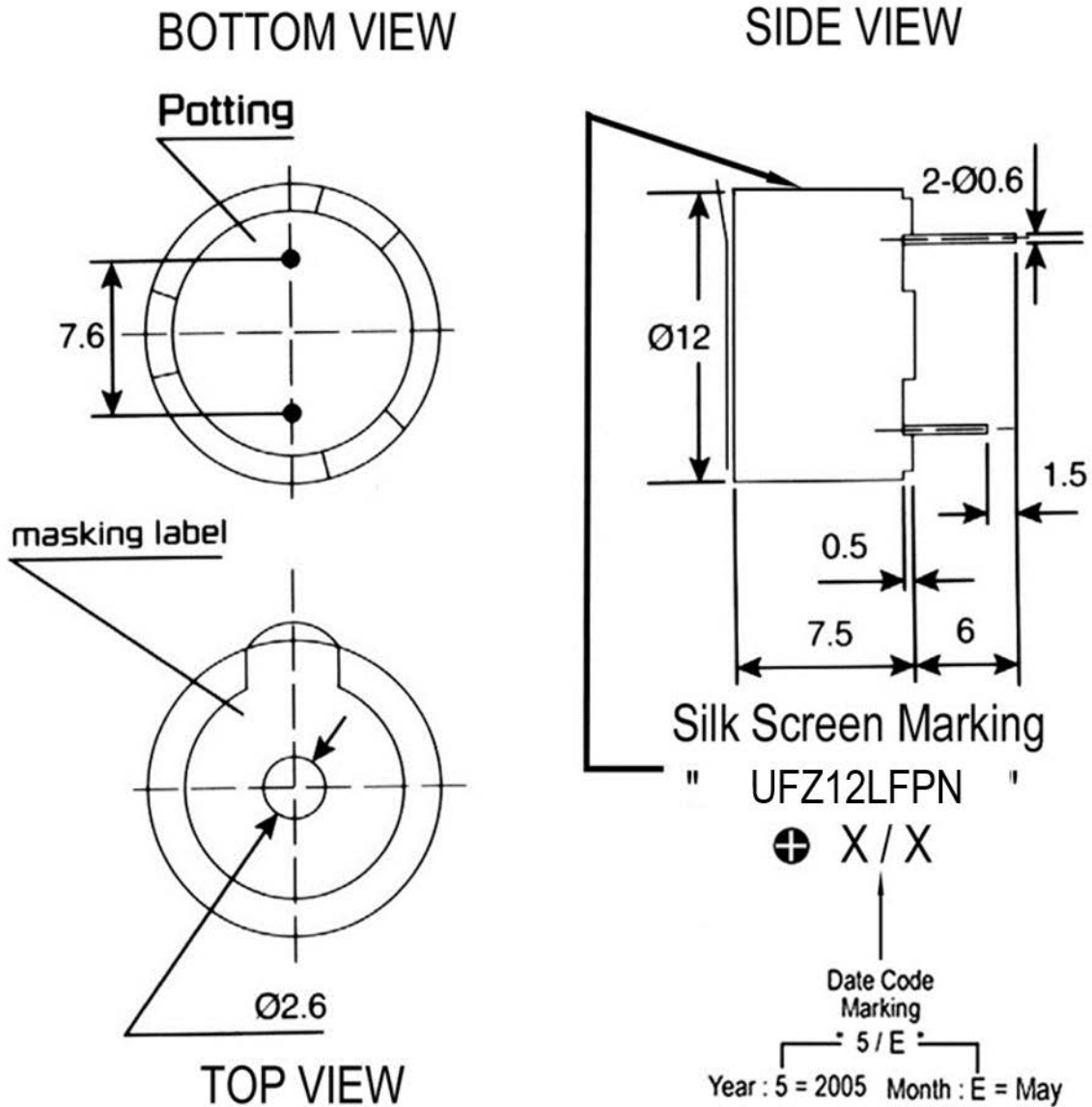
* Value applying at rated voltage

2. PHYSICAL DIMENSION



All dimensions stated are in mm

Tolerance: $\pm 0.5\text{mm}$



Revision History

| Revision | Date | Description |
|----------|---------|---------------|
| 1.0 | 2005/05 | First release |
| | | |
| | | |

FLEZON CONFIDENTIAL