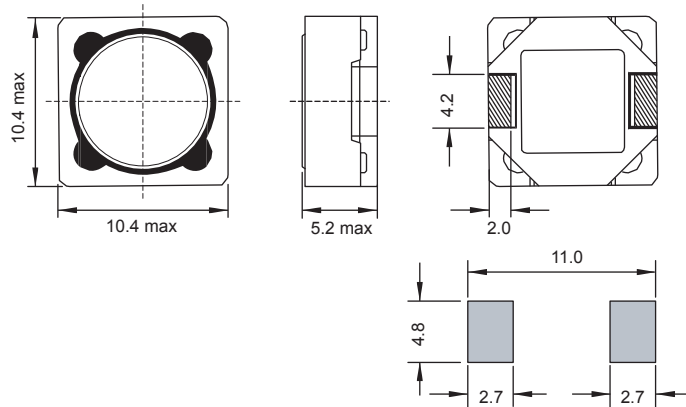


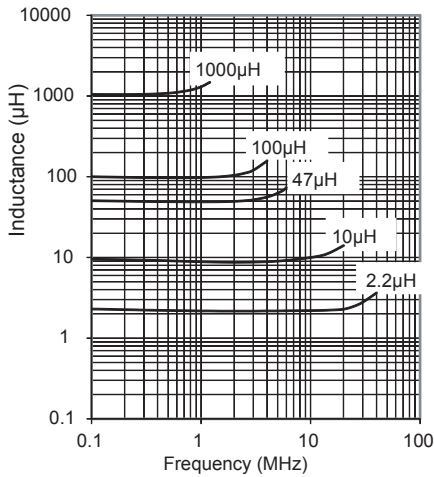
PIS 4119

Shielded

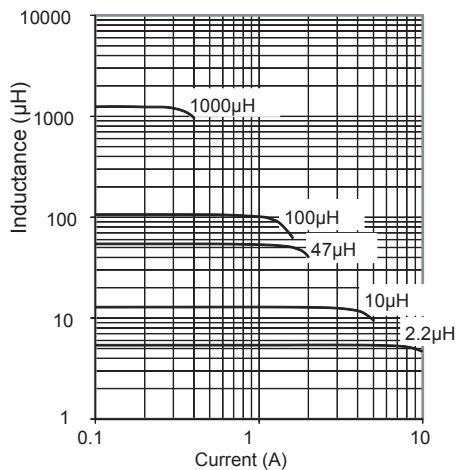


Recommended Layout for solder pads

Typical Ls vs Frequency (f)



Typical Ls vs Current (I)



Part No	Inductance L (µH)	f _L (kHz)	Tol ± (%)	DCR max (Ω)	Rated DC Current (A)	
					I _{sat}	I _R
PIS4119-1R0N-04	1	100/0.1V	30	0.007	10	8.8
PIS4119-1R5N-04	1.5	100/0.1V	30	0.01	8.5	7.52
PIS4119-2R2M-04	2.2	100/0.1V	20	0.01	7.2	7.2
PIS4119-4R7M-04	4.7	100/0.1V	20	0.016	4.87	5.5
PIS4119-6R8M-04	6.8	100/0.1V	20	0.022	3.87	4.85
PIS4119-100M-04	10	100/0.1V	20	0.034	3.23	4.2
PIS4119-150M-04	15	100/0.1V	20	0.04	2.6	3.2
PIS4119-220M-04	22	100/0.1V	20	0.067	2.1	2.8
PIS4119-330M-04	33	100/0.1V	20	0.1	1.7	2.35
PIS4119-470M-04	47	100/0.1V	20	0.142	1.36	1.65
PIS4119-680M-04	68	100/0.1V	20	0.18	1.18	1.6
PIS4119-101M-04	100	100/0.1V	20	0.275	0.96	1.3
PIS4119-121M-04	120	100/0.1V	20	0.34	0.84	1.06
PIS4119-151M-04	150	100/0.1V	20	0.45	0.74	1
PIS4119-221M-04	220	100/0.1V	20	0.583	0.66	0.8
PIS4119-331M-04	330	100/0.1V	20	0.82	0.56	0.7
PIS4119-471M-04	470	100/0.1V	20	1.37	0.45	0.55
PIS4119-681M-04	680	100/0.1V	20	1.9	0.37	0.5
PIS4119-102M-04	1000	100/0.1V	20	2.8	0.33	0.4

Revision date : 15 Aug 2014

Core Material : Ferrite, magnetically shielded, plastic moulded base.

SPQ : Taped / Reel 600 [-04]

Remarks : - I_{sat} & I_R - see description in Inductors Technical Data.