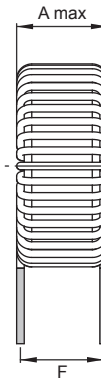
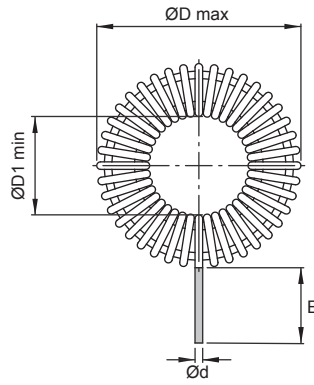


TLC/10A



| Part No | Inductance (fL = 1 kHz) | | Tol ± (%) | DCR max (mΩ) | Weight (grams) | Dimensions | | | | | | SPQ: Loose / Box |
|-----------------|-------------------------|--------------------------|--------------|--------------------|-------------------|------------|----|----------|----|------|------------|---------------------|
| | At Idc=0A (μH) | At rated current (μH) | | | | ØD max | F | A max | E | Ød | ØD1 min | |
| TLC/10A-100M-00 | 10 | 8.6 | 20 | 5.5 | 47 | 38.5 | 14 | 16 | 10 | 1.40 | 15 | 150 |
| TLC/10A-150M-00 | 15 | 11.9 | 20 | 6.7 | 49 | 37 | 14 | 15 | 10 | 1.40 | 15.5 | 150 |
| TLC/10A-220M-00 | 22 | 18.2 | 20 | 9 | 86 | 47 | 19 | 20 | 15 | 1.40 | 20 | 120 |
| TLC/10A-330M-00 | 33 | 25.7 | 20 | 11 | 88 | 47 | 19 | 20 | 15 | 1.40 | 20 | 120 |
| TLC/10A-470M-00 | 47 | 33.7 | 20 | 13.5 | 91 | 48 | 19 | 19 | 15 | 1.40 | 17 | 120 |
| TLC/10A-680M-00 | 68 | 52.6 | 20 | 15.5 | 168 | 53 | 22 | 23 | 15 | 1.40 | 18 | 75 |
| TLC/10A-101M-00 | 100 | 70.5 | 20 | 19 | 172 | 55 | 22 | 23 | 15 | 1.40 | 17 | 75 |
| TLC/10A-151M-00 | 150 | 122.5 | 20 | 32 | 514 | 83 | 31 | 32 | 20 | 1.40 | 43 | 20 |
| TLC/10A-221M-00 | 220 | 167 | 20 | 41 | 523 | 85 | 31 | 32 | 20 | 1.40 | 43 | 20 |
| TLC/10A-331M-00 | 330 | 231 | 20 | 50 | 534 | 85 | 31 | 32 | 20 | 1.40 | 43 | 20 |
| TLC/10A-471M-00 | 470 | 357 | 20 | 63 | 1024 | 83 | 56 | 57 | 20 | 1.40 | 43 | 10 |
| TLC/10A-681M-00 | 680 | 476 | 20 | 79 | 1041 | 85 | 56 | 57 | 20 | 1.40 | 43 | 10 |
| TLC/10A-102M-00 | 1000 | 781 | 20 | 94 | 2535 | 110 | 71 | 72 | 20 | 1.40 | 50 | 5 |

Core Material : Iron Dust

Revision date : 08 Aug 2014

Remarks : Customized Versions available on request.