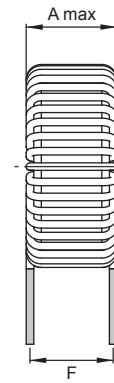
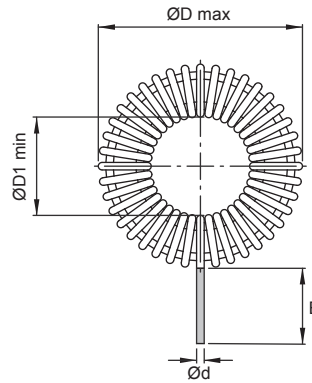




TLC/1A



Part No	Inductance (fL = 1 kHz)		Tol ± (%)	DCR max (mΩ)	Weight (grams)	Dimensions						SPQ: Loose / Box
	At Idc=0A (μH)	At rated current (μH)				ØD max	F	A max	E	Ød	ØD1 min	
TLC/1A-100M-00	10	9.6	20	38	3	15	6	6.5	10	0.45	5	1500
TLC/1A-150M-00	15	14.2	20	48	3.2	14.5	6	7	10	0.45	5	1500
TLC/1A-220M-00	22	20.5	20	57	3.3	14.5	6	7	10	0.45	5	1500
TLC/1A-330M-00	33	29.8	20	70	3.4	14.5	6	7	10	0.45	5	1500
TLC/1A-470M-00	47	41.1	20	78	3.5	15.5	6	7	10	0.45	5	1500
TLC/1A-680M-00	68	61.9	20	96	6.2	19.5	6	7	10	0.45	7	1000
TLC/1A-101M-00	100	88.2	20	115	6.5	20	6	7	10	0.45	7	1000
TLC/1A-151M-00	150	133.2	20	158	10.3	22	7.5	8.5	10	0.45	10	750
TLC/1A-221M-00	220	187.4	20	192	10.6	22	7.5	8.5	10	0.45	10	750
TLC/1A-331M-00	330	264.7	20	236	11.2	23	8.5	9.5	10	0.45	10	750
TLC/1A-471M-00	470	417.4	20	325	33.3	30	12.5	12.5	10	0.45	11.5	280
TLC/1A-681M-00	680	579.4	20	393	34	31	13.5	14.5	10	0.45	11.5	280
TLC/1A-102M-00	1000	807	20	430	35	31	13.5	14	10	0.45	11.5	280

Core Material : Iron Dust

Revision date : 08 Aug 2014

Remarks : Customized Versions available on request.

Toroid Line Chokes (TLC)