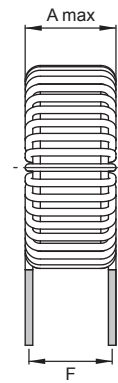
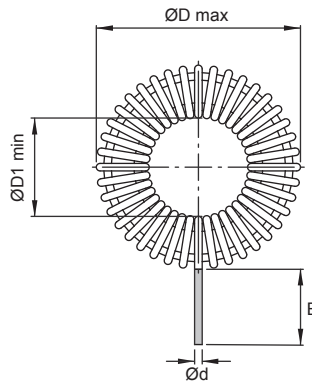


TLC/2.5A



Part No	Inductance (fL = 1 kHz)		Tol ± (%)	DCR max (mΩ)	Weight (grams)	Dimensions						SPQ: Loose / Box
	At Idc=0A (μH)	At rated current (μH)				ØD max	F	A max	E	Ød	ØD1 min	
TLC/2.5A-100M-00	10	9.2	20	14.5	6.2	21	6.5	7.5	10	0.71	6.5	1000
TLC/2.5A-150M-00	15	13.2	20	19	6.7	20.5	6.5	7.5	10	0.71	6.5	1000
TLC/2.5A-220M-00	22	19.7	20	24.5	10.2	23	8.5	9.5	10	0.71	9.5	750
TLC/2.5A-330M-00	33	28.2	20	30	10.6	23	8.5	9.5	10	0.71	9.5	750
TLC/2.5A-470M-00	47	38.3	20	36	11	24	8.5	9	10	0.71	9.5	750
TLC/2.5A-680M-00	68	51.9	20	43.5	11.6	24	8.5	9	10	0.71	9.5	750
TLC/2.5A-101M-00	100	86	20	60	34	31	13	14	10	0.71	11.5	280
TLC/2.5A-151M-00	150	122.4	20	74	35	30	13	14	10	0.71	11.5	280
TLC/2.5A-221M-00	220	167.2	20	90	36.5	30	13	14	10	0.71	11.5	280
TLC/2.5A-331M-00	330	250	20	120	49.5	36.5	13	14	10	0.71	16	150
TLC/2.5A-471M-00	470	372	20	160	87	45	18	17	15	0.71	20	120
TLC/2.5A-681M-00	680	501	20	190	90	45	18	19	15	0.71	20.5	120
TLC/2.5A-102M-00	1000	786	20	230	170	51	21	22	15	0.71	20	75

Core Material : Iron Dust

Revision date : 08 Aug 2014

Remarks : Customized Versions available on request.

Toroid Line Chokes (TLC)