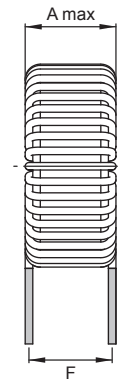
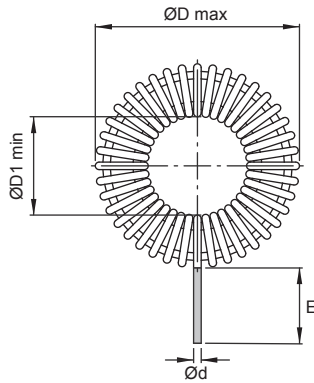


TLC/5A



Part No	Inductance (fL = 1 kHz)		Tol ± (%)	DCR max (mΩ)	Weight (grams)	Dimensions						SPQ: Loose / Box
	At Idc=0A (μH)	At rated current (μH)				ØD max	F	A max	E	Ød	ØD1 min	
TLC/5A-100M-00	10	8.3	20	8.3	10.8	24	7.5	9.5	10	1.00	9	750
TLC/5A-150M-00	15	11.8	20	10	12.4	23	7.5	8.5	10	1.00	9	750
TLC/5A-220M-00	22	19	20	14.8	34	30	13	14	10	1.00	11	280
TLC/5A-330M-00	33	27.4	20	17.5	35	30	13	14	10	1.00	11	280
TLC/5A-470M-00	47	36.6	20	21	36	31	13	14	10	1.00	10.5	280
TLC/5A-680M-00	68	49.7	20	24.8	37	32	13	14.5	10	1.00	10	280
TLC/5A-101M-00	100	83	20	37	86	46	18	18	15	1.00	18	120
TLC/5A-151M-00	150	113.2	20	47.5	89	45	18	19	15	1.00	21	120
TLC/5A-221M-00	220	176.4	20	56	162	52	21	22	15	1.00	19	75
TLC/5A-331M-00	330	245.8	20	68	170	53	21	22	15	1.00	19	75
TLC/5A-471M-00	470	399	20	110	508	81	30	31	20	1.00	45	20
TLC/5A-681M-00	680	546	20	155	516	83	30	31	20	1.00	45	20
TLC/5A-102M-00	1000	749	20	160	526	81	30	30	20	1.00	45	20

Core Material : Iron Dust

Revision date : 18 Aug 2014

Remarks : Customized Versions available on request.

Toroid Line Chokes (TLC)