



ELECTRICAL SPECIFICATION

ANTENNA

PARAMETERS	VALUE	UNIT	
Frequency Range	GPS: L1	-	
	GLONASS: G1	-	
	COMPASS: B1	-	
	Galileo: E1/L1/E2	-	
Polarization	RHCP	-	
Axial Ratio, max	3	dB	
VSWR, max	1.5	-	
Peak Gain, min	5.0	dBi	
Impedance	50	Ω	
Rejection out of Pass Band, min	@ Frequency ± 100 MHz	40	dBi
Phase Center Error	± 2	mm	
Horizontal Coverage Angle	360	$^{\circ}$	

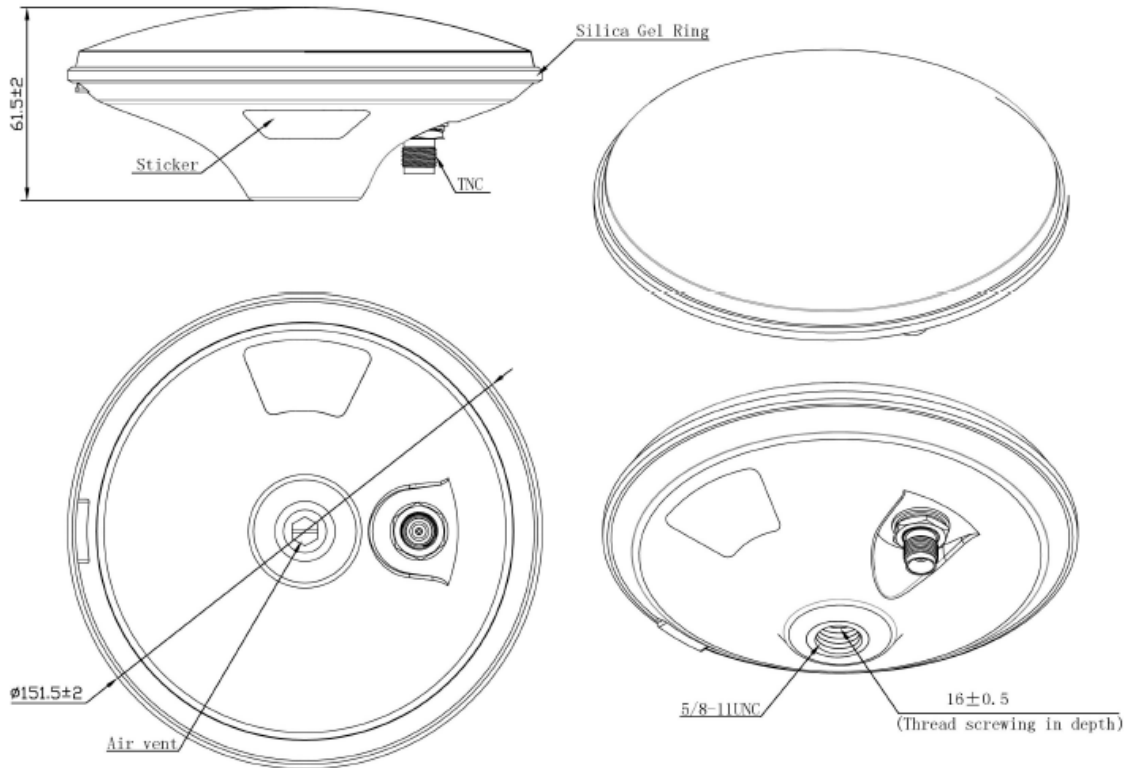
LNA

PARAMETERS	VALUE	UNIT
Gain	40 ± 2	dB
Noise Figure, max	1.5	dB
Passband Fluctuation	± 1.5	dB
Supply Voltage	3 ~ 12	V DC
Current Consumption, max	40	mA
VSWR, max	2	-

MECHANICAL & ENVIRONMENTAL

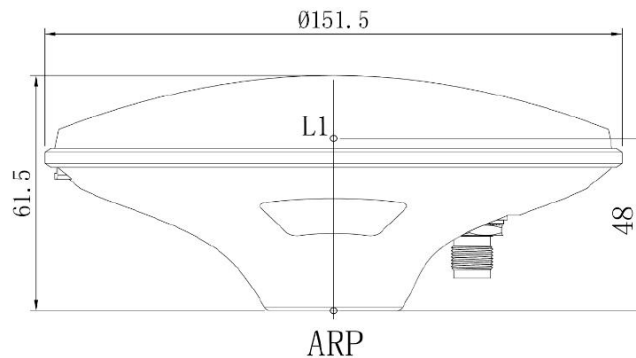
PARAMETERS	VALUE	UNIT
Connector	TNC-K	-
Radome Material	ABS	-
Operating Temperature Range	-40 ~ +85	$^{\circ}$ C
Relative Humidity, max	95	%
Ingress Protection (Exclude Air Vent in Screw Hole)	IP67	-
Mounting Method	Screw	-
Environmentally Friendly	RoHS Compliant	-

MECHANICAL SPECIFICATION



Unit:mm

ANTENNA REFERENCE POINT & PHASE CENTER



Mechanical Offsets Units in "mm"

■ APPROVAL

RALTRON	
DRAWN BY:	AR, July 10, 2019
APPROVED BY:	CP, July 10, 2019
REVISION:	A, Initial Release
	B, AR, July 18, 2019 Added Rejection out of Pass Band



Raltron Electronics / RAMI Technology USA, LLC, including its affiliates, employees, agents and other persons acting on its behalf (collectively Raltron/RAMI Tech), disclaim any and all liability for any errors or inaccuracies contained in this data sheet. While Raltron/RAMI Tech has made every reasonable effort ensure the accuracy of all product information, specifications and data contained herein, Raltron/RAMI Tech does not guarantee that the information is accurate, reliable or current. The product information is provided only for reference purposes only and is subject to change, correction or revision, at any time without notice. Raltron/RAMI Tech does not assume any liability arising out of an application or use of any product described herein and disclaims any warranties expressed or implied. The user of products in such applications shall assume all risks of such use and will agree to hold Raltron/RAMI Tech, harmless against all damages.

Copyright © 2016, Raltron Electronics / RAMI Technology USA, LLC. All rights reserved. No part of this document may be reproduced in any form without the prior written permission of Raltron Electronics / RAMI Technology USA, LLC.