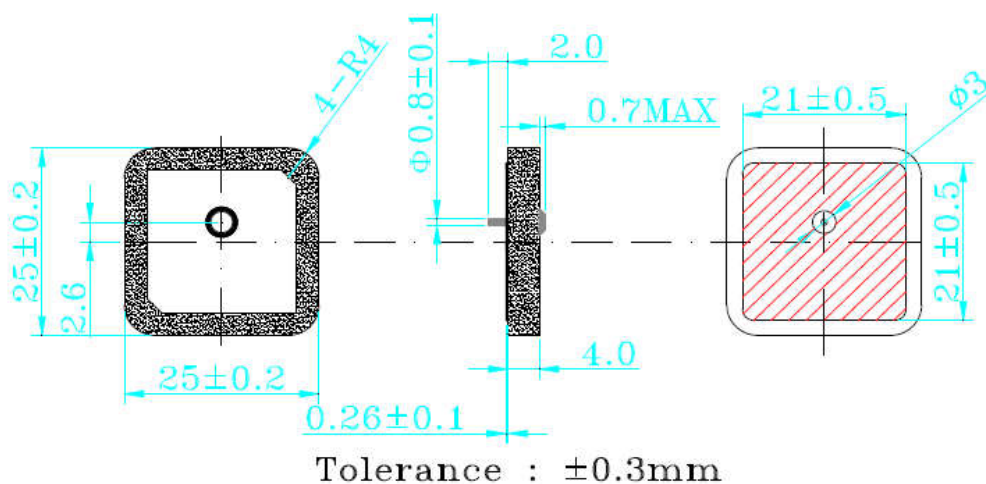


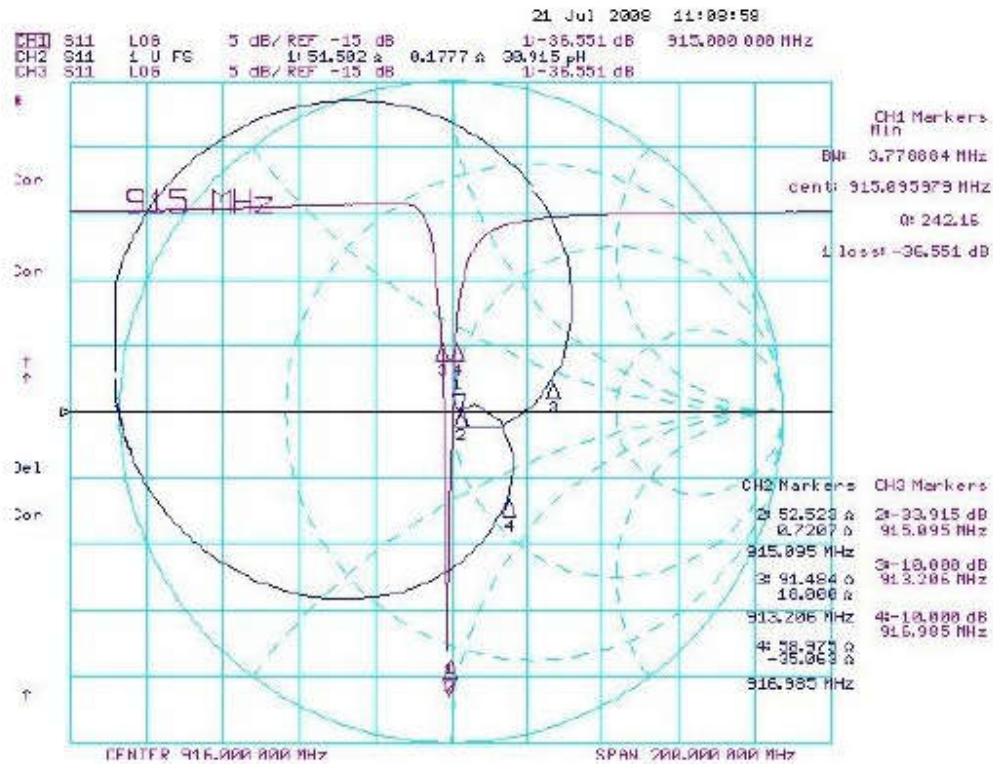
■ ELECTRICAL SPECIFICATION

| SPECIFICATIONS | SPECIFICATIONS | UNIT |
|-----------------------------------|-----------------------|---------|
| Receiving Frequency Range | 902 ~ 928 | MHz |
| Center Frequency | 915 ± 1.5 | MHz |
| Band Width, min | 3.5 | dB |
| Return Loss, max | -10 | dB |
| Input Impedance | 50 | Ω |
| VSWR, max | 1.3 | - |
| Polarization | Right-Handed Circular | - |
| Axial Ratio, max | 3 | - |
| Gain Zenith, typ | 0.5 | dB |
| Frequency Temperature Coefficient | 0 ± 10 | ppm/ °C |

■ MECHANICAL SPECIFICATION



FREQUENCY CHARACTERISTICS



May, 2016