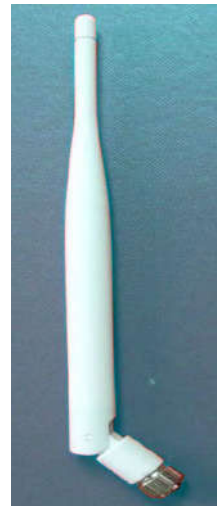
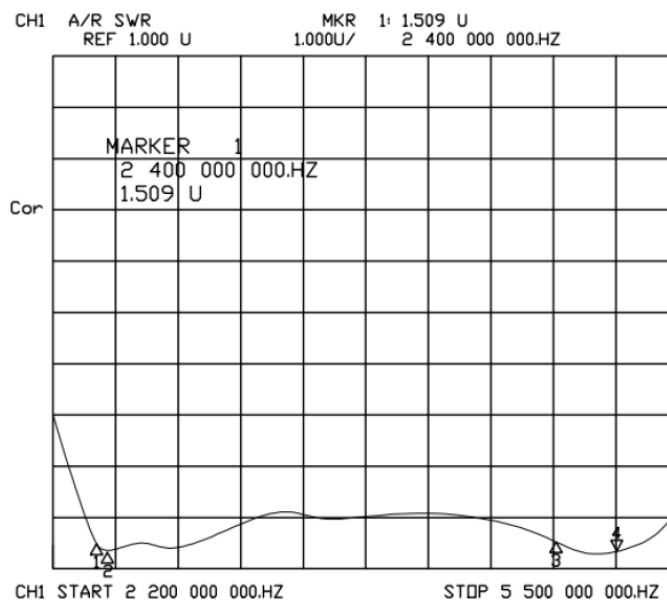


■ SPECIFICATION

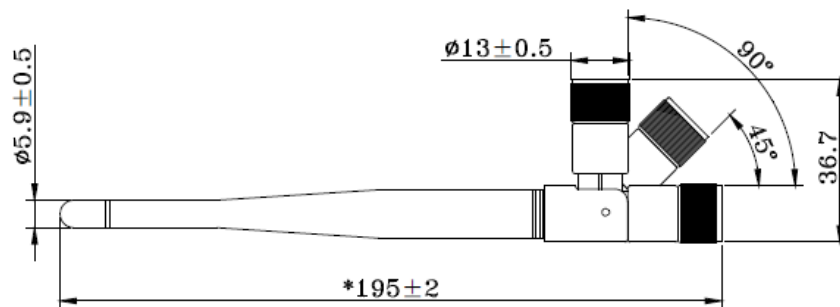
SPECIFICATIONS		SPECIFICATIONS	UNIT
Frequency Range		2400 ~ 2500	MHz
Nominal Impedance		50	Ω
VSWR, max		2.5	-
Polarization		Vertical	-
Azimuth		Omni-direction	-
Gain, typ		5.0	dBi
Power, max		50	W
Operating Temperature Range		-40 ~ +85	$^{\circ}\text{C}$
Lighting Protection		Direct-current earth	-
RF Cable	Type	RG178	-
	Impedance	50	Ω
Radome Color		White	-
Length		108 \pm 1	mm
Connector		RP-SMA	-



■ TEST DATA



■ DIMENSIONS



May, 2016