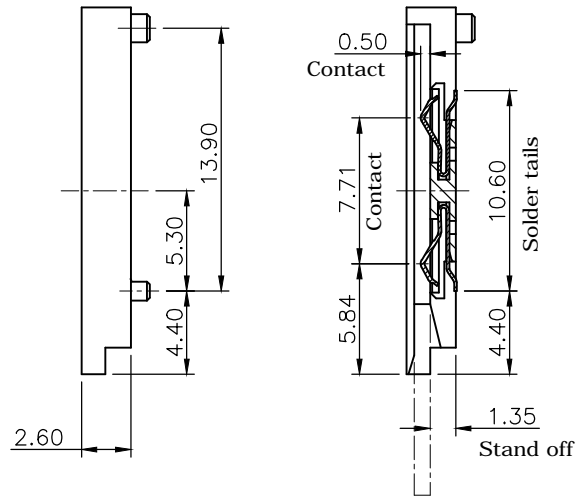
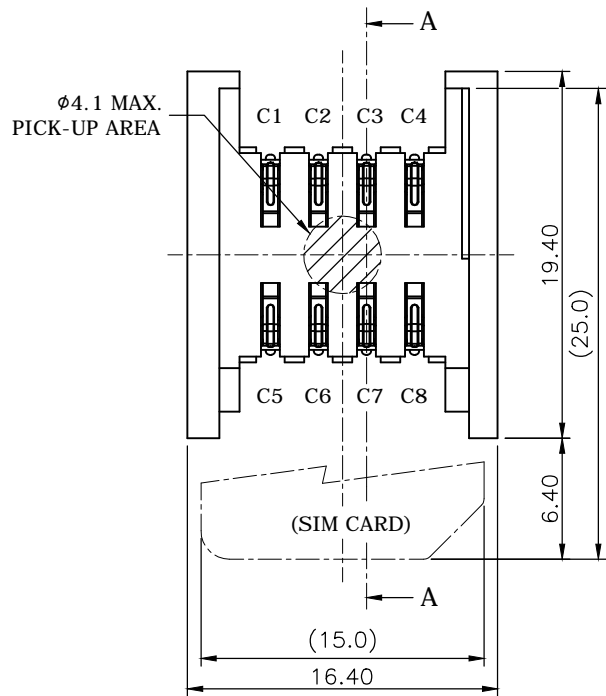
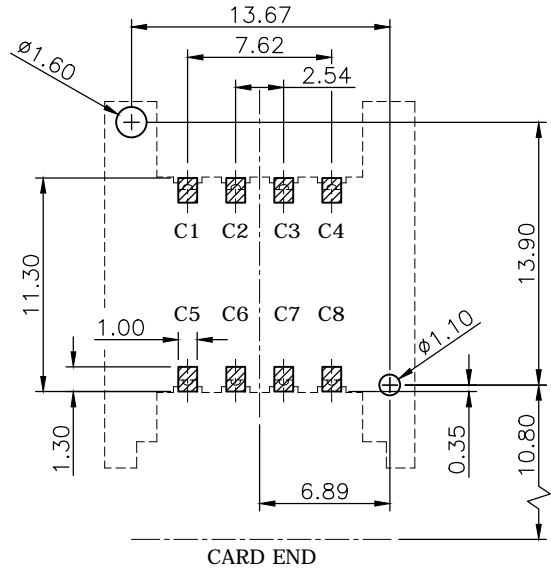
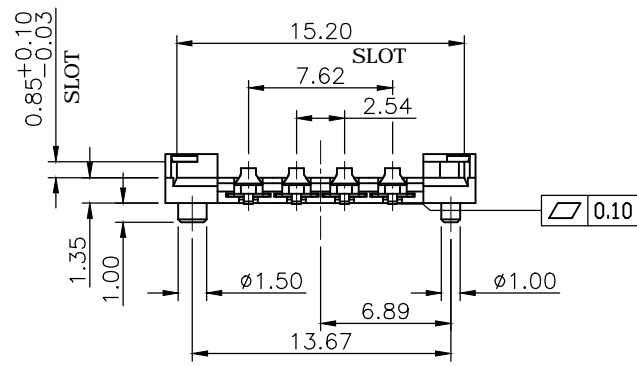


REV.	DESCRIPTION	DRAWN	DATE
1	INITIAL RELEASE	FROS	2017/10/11



SECTION A-A



RECOMMENDED LAYOUT (TOP VIEW)
GENERAL TOLERANCE: ±0.05mm

SPECIFICATION:

1. ELECTRICAL
 - 1.1 Current Rating: 0.5A per pin
 - 1.2 Voltage Rating: 100VAC/DC
 - 1.3 Contact Resistance: 50mΩ
 - 1.4 Insulation Resistance: 1000 MΩ
 - 1.5 Dielectric Withstanding Voltage: 500VAC
2. MECHANICAL
 - 2.1 Durability: 5,000 Cycle
3. ENVIRONMENTAL
 - 3.1 Operating temperature range: -40 °C~+85°C
 - 3.2 Storage temperature range: -40 °C~+85°C
4. SOLDER ABILITY
 - 4.1 Recommended IR-Reflow Temperature: 260 °C

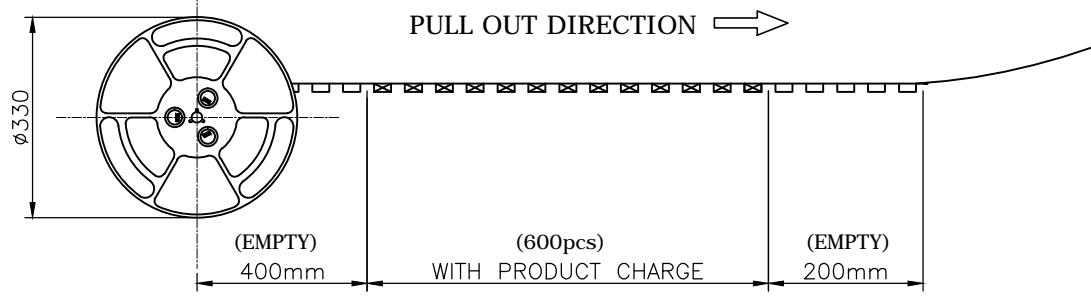
115C-BC00-01	8 Pin
115C-AC00-01	6 Pin
P/N	Pin count

2	CONTACT	Phosphor Bronze, Gold plating over Nickel	
1	HOUSING	LCP, UL94V-0, Black	
NO. PART NAME		DESCRIPTION	
UNLESS OTHERWISE SPECIFIED TOLERANCE			
UNIT:	DECIMAL	LINEAR	ANGLES
	mm	X, ±0.50	±5°
		X.X, ±0.25	±3°
		X.XX, ±0.12	±1°
DRAWN		Fros	2017/10/11
CHECKED		Tim	2017/10/11
APPROVED		Ken	2017/10/11
SCALE		SHEET	SIZE
2.5/1		1/1	A4
DRAWN NAME:		SIM Card Socket, Holder Type X Pin, 5u", Reel, H2.6mm	
PRODUCT NO.		SEE TABLE	
FILE NAME		115C-XC00-01_B_1	



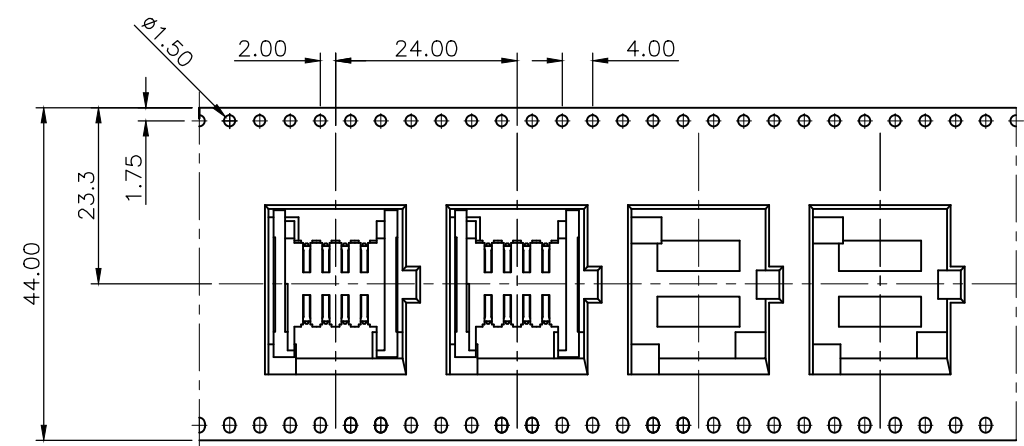
www.attend.com.tw

REV.	DESCRIPTION	DRAWN	DATE
1	INITIAL RELEASE	FROS	2017/10/11

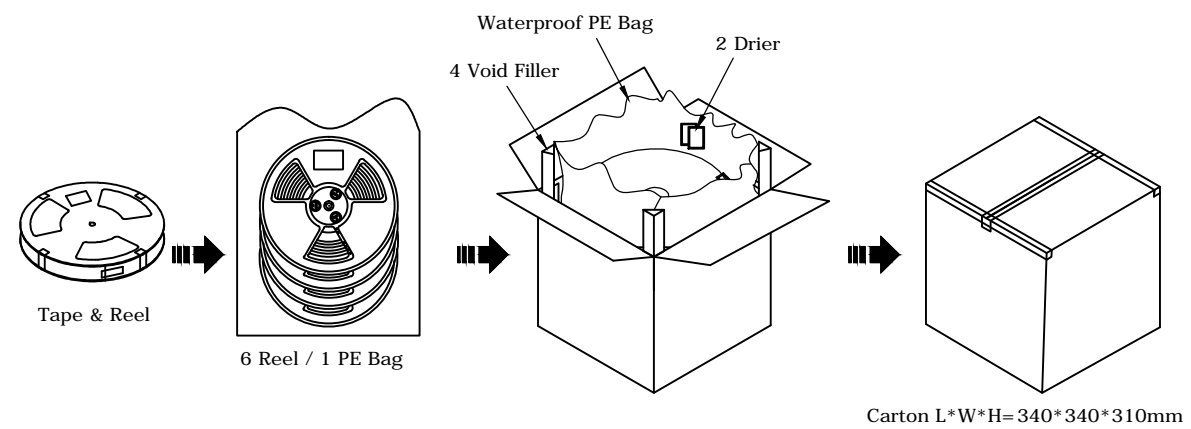


PACKAGING SPECIFICATION:

Quantity:
 600 Piece/ Reel
 6 Reel/ Carton
 3,600 Piece/ Outer Carton



115C-BC00-01	8 Pin
115C-AC00-01	6 Pin
P/N	Pin count



UNLESS OTHERWISE SPECIFIED TOLERANCE			
UNIT:	DECIMAL	LINEAR	ANGLES
mm	X.	±0.50	±5°
	X.X	±0.25	±3°
	X.XX	±0.12	±1°

ATTEND
www.attend.com.tw

DRAWN	Fros	2017/10/11	DRAWN NAME:	
CHECKED	Tim	2017/10/11	SIM Card Socket, Holder Type Packing Drawing	
APPROVED	Ken	2017/10/11	PRODUCT NO.	SEE TABLE
SCALE 2.5/1		SHEET 1/1	FILE NAME	115C-XC00-01_D_1
		SIZE A4		