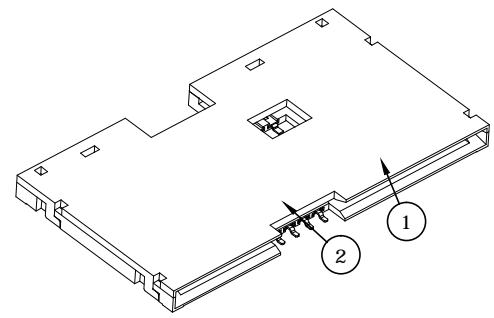
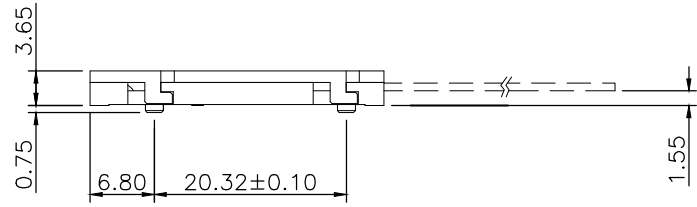
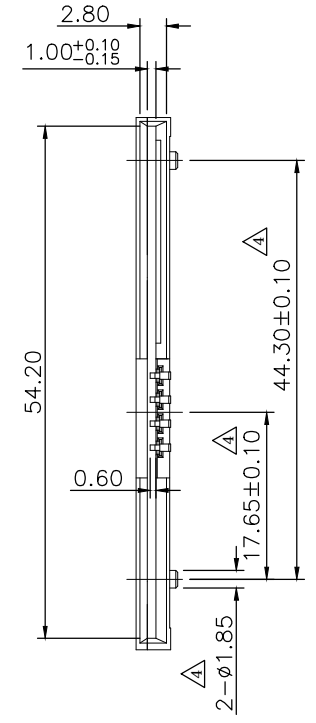
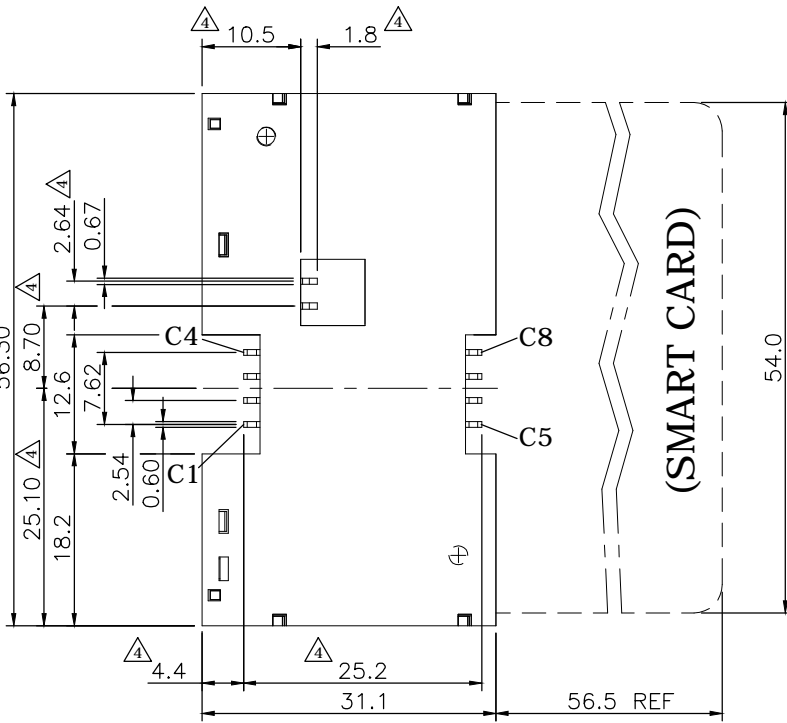


REV.	DESCRIPTION	DRAWN	DATE
2	CORRECTED PEG DIM.	FROS	2017/05/31
3	CORRECTED PIN DIM.	TIM	2017/07/31
4	CORRECTED PIN DIM.	TIM	2017/10/05



**SPECIFICATION:**

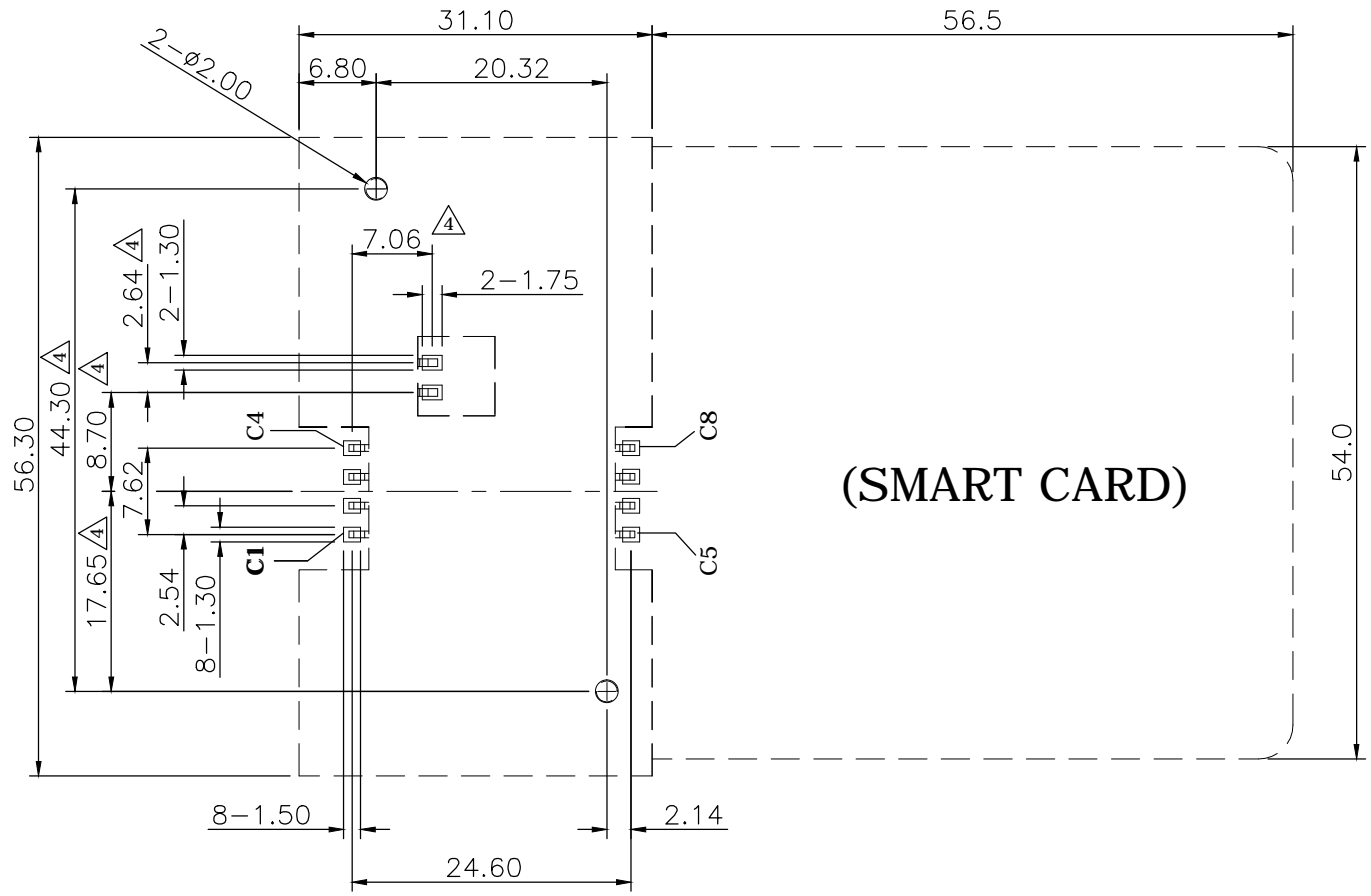
1. ELECTRICAL
  - 1.1 Rating: 30V 1A max.
  - 1.2 Contact Resistance: 100mΩ max.
  - 1.3 Insulation Resistance: 1000MΩ
  - 1.4 Dielectric Withstanding Voltage: 500VAC
2. MECHANICAL
  - 2.1 Insertion Depth: 31.1mm
  - 2.2 Card Thickness: 0.7mm to 0.8mm
3. ENVIRONMENTAL
  - 3.1 Operating temperature range: -40°C~+85°C
  - 3.2 Storage temperature range: -40°C~+85°C
4. SOLDER ABILITY
  - 4.1 Recommended IR Reflow (Wave Soldering) Temperature: 260°C

2	CONTACT	Phosphor Bronze, 3u" Au on contact area, 100u" Sn on tail area, under plated 30-50u" Ni over all	
1	INSULATOR	LCP, UL94V-0, Black	
NO.	PART NAME	DESCRIPTION	
UNLESS OTHERWISE SPECIFIED TOLERANCE			
UNIT:	DECIMAL	LINEAR	ANGLES
mm	X.	±0.50	±5°
	X.X	±0.25	±3°
	X.XX	±0.12	±1°
DRAWN		Fros	2015/06/05
CHECKED		Zola	2015/06/05
APPROVED		Ken	2015/06/05
SCALE		1.25	SHEET 1/2
SIZE		A4	FILE NAME
DRAWN NAME:		Smart Card Socket, SMD, Normal Open	
PRODUCT NO.		116G-SBO0	
FILE NAME		116G-SBO0_B_4	




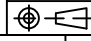
WWW.ATTEND.COM.TW

REV.	DESCRIPTION	DRAWN	DATE
	SEE SHEET ONE		



(SMART CARD)

**RECOMMENDED PCB LAYOUT**  
TOLERANCE: ± 0.05

UNLESS OTHERWISE SPECIFIED TOLERANCE				 WWW.ATTEND.COM.TW	
UNIT:	DECIMAL	LINEAR	ANGLES		
mm	X.	±0.50	±5°		
	X.X	±0.25	±3°		
	X.XX	±0.12	±1°		
DRAWN	Fros	2015/06/05	DRAWN NAME:		
CHECKED	Zola	2015/06/05	Smart Card Socket, SMD, Normal Open		
APPROVED	Ken	2015/06/05	PRODUCT NO.	116G-SB00	
	SCALE	SHEET	SIZE	FILE NAME	
	1.5	2/2	A4	116G-SB00_B_4	