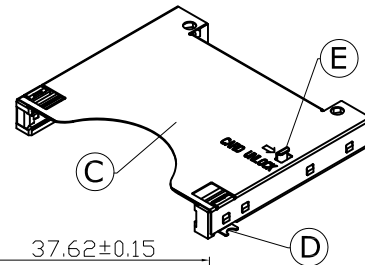
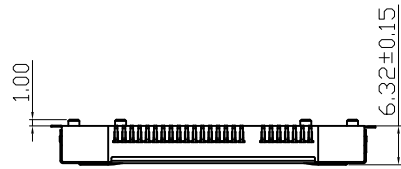


SWITCH CIRCUIT			MATERIAL AND FINISH AS BELOW						
WHEN CARD IS EJECTED		WHEN CARD IS INSERTED	A	Housing	LCP UL94V-0 Black	E	Lock	Stainless Steel SUS304	
			B	Contact	Phosphor Bronze C5210, 0.2t, 10u" Gold	F			
			C	Shell	Stainless Steel SUS304, 0.2t	G			
			D	Hold down	Brass C2680, 0.2t, Tin Plating	H			



SPECIFICATION:

1. ELECTRICAL

- 1.1 Current Rating: 1.5A
- 1.2 Voltage Rating: 100V AC/DC
- 1.3 Contact Resistance: 30mΩ
- 1.4 Insulation Resistance: 1000MΩ
- 1.5 Dielectric Withstanding Voltage: 500VDC

2. MECHANICAL

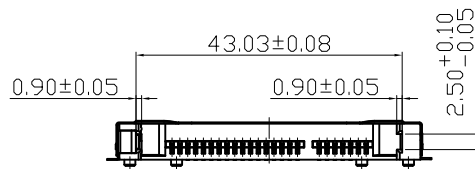
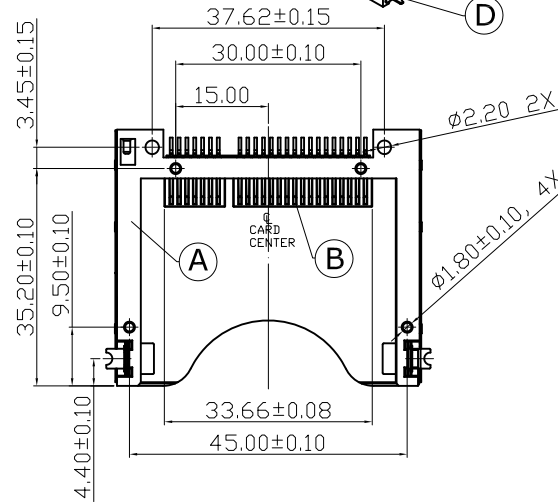
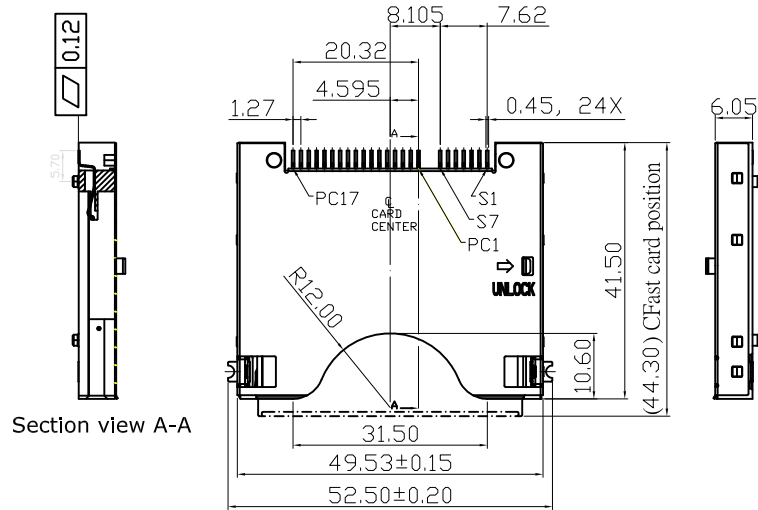
- 2.1 Durability: 10000 Cycle
- 2.2 Insertion Force: 28.8N max.
- 2.3 Extraction Force: 3.7~24.5N max.

3. ENVIRONMENTAL

- 3.1 Operating temperature range: -40°C~+85°C
- 3.2 Storage temperature range: -40°C~+85°C

4. SOLDER ABILITY

- 4.1 Recommended IR Reflow Temperature: 260°C



P1	P2	P3	P4	P5	P6	P7	P8	P9	P10	P11	P12
----	----	----	----	----	----	----	----	----	-----	-----	-----

PIN ASSIGNMENT

120B-605D00	Height6.05, Card Lock TypeII, Contact area 10u" Gold
PRODUCT NO.	DESCRIPTION

UNLESS OTHERWISE SPECIFIED TOLERANCE		
ANGLES	ANG.	±5°
LINEAR	0.	±0.3
	0.0	±0.25
	0.00	±0.20
SCALE	AS SHOWN	UNIT: mm
DRAWN	Willis	2013/05/07
CHECKED	Angel	2013/05/07
APPROVED	Ken	2013/05/07

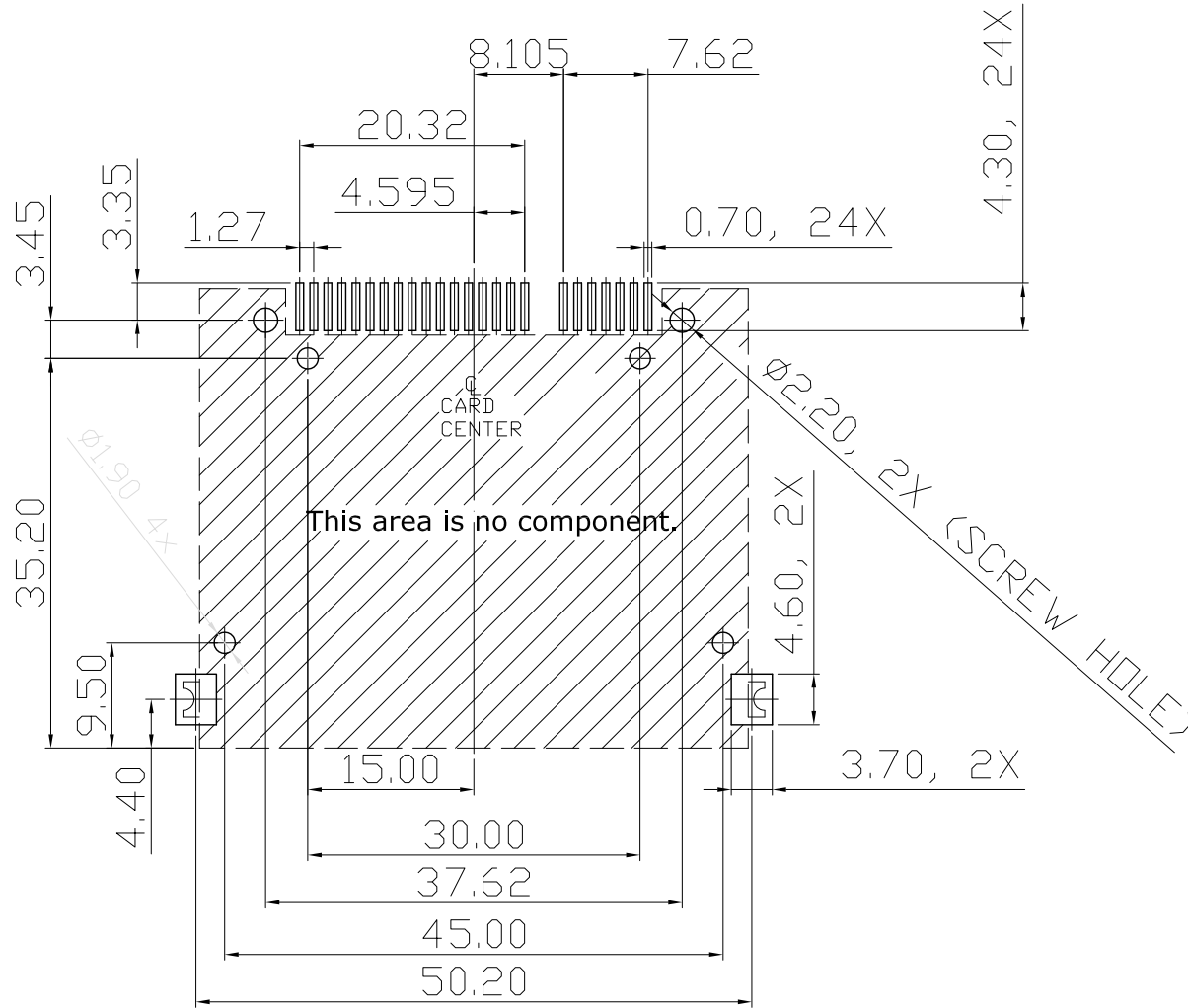


www.attend.com.tw

DRAWN NAME: CFAST Socket
6.05H Card Lock TypeII

PRODUCT NO. 120B-605D00

REV.	DESCRIPTION	DATE	REV.	DESCRIPTION	DATE	SIZE	REV.	FILE NAME
1			4			A4	1.0	120B-605D00_B_2



TOLERANCE: ±0.05
RECOMMENDED P.C. BOSRD LAYOUT

UNLESS OTHERWISE SPECIFIED TOLERANCE		
ANGLES	ANG.	±5°
LINEAR	0.	±0.3
	0.0	±0.25
	0.00	±0.20
SCALE	AS SHOWN	UNIT: mm
DRAWN	Willis	2013/05/07
CHECKED	Angel	2013/05/07
APPROVED	Ken	2013/05/07



www.attend.com.tw

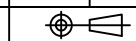
DRAWN NAME:
CFAST Socket
6.05H Card Lock TypeII

PRODUCT NO. 120B-605D00

FILE NAME 120B-605D00_B_2

REV.	DESCRIPTION	DATE	REV.	DESCRIPTION	DATE
1			4		
2			5		
3			6		

Revise:
Revise:
Revise:



SIZE A4
REV. 1.0