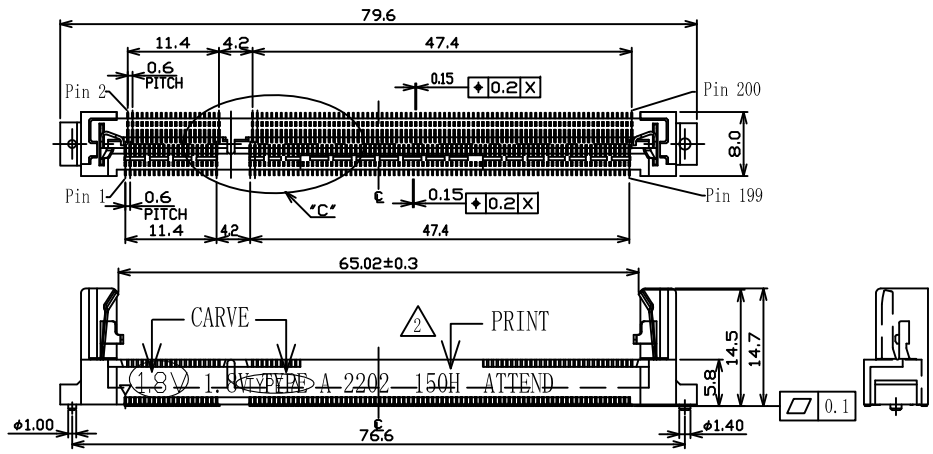
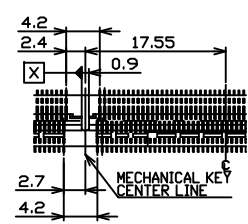


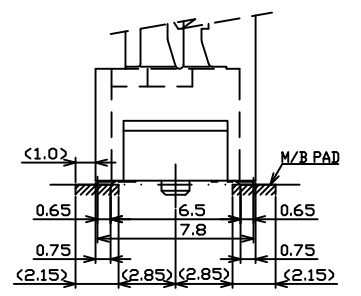
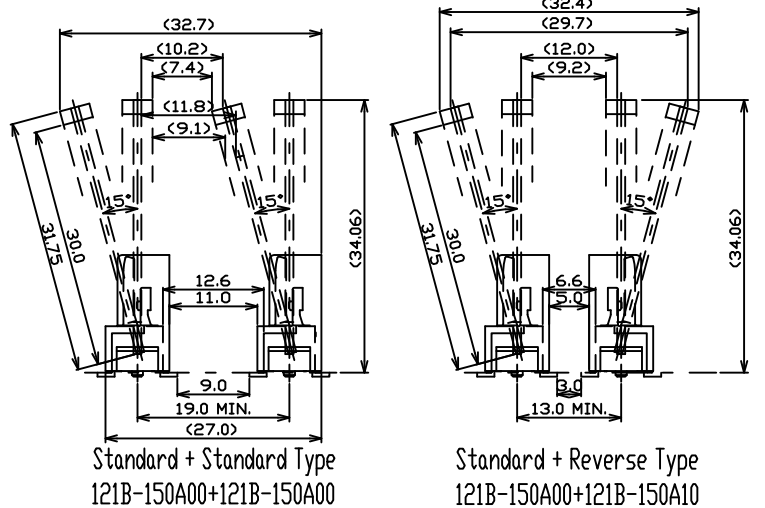
SWITCH CIRCUIT		MATERIAL AND FINISH AS BELOW							
WHEN CARD IS EJECTED	WHEN CARD IS INSERTED	A	Housing	LCP UL94V-0 Beige	E				
		B	Contact	Phosphor Bronze C5210, Contact Area: Gold Flash	F				
		C	Latch	Stainless Steel SUS301	G				
		D			H				



NOTES:
 DATE CODE 2202 (YWW)
 Y: 2 YEAR (2012)
 WW: 20 WEEK (01~52)
 D: 2 DAY (01~07)



DETAIL C



SPECIFICATION:

- 1. ELECTRICAL**
 1.1 Current Rating: 0.5A per pin
 1.2 Voltage Rating: 25V AC/DC
 1.3 Contact Resistance: 60mΩ
 1.4 Insulation Resistance: 500MΩ
 1.5 Dielectric Withstanding Voltage: 125VAC

- 2. MECHANICAL**
 2.1 Durability: 25 Cycle
 2.2 Latch Retention Force: 8 N/Pos. Min

- 3. ENVIRONMENTAL**
 3.1 Operating temperature range: -40°C~+85°C
 3.2 Storage temperature range: -40°C~+85°C

- 4. SOLDER ABILITY**
 4.1 Recommended IR Reflow Temperature: 255°C 10Sec

NOTE:
 HOUSING CARVE: 1.8V TYPE A
 PRINTING: 1.8V TYPE A YWW 150H ATTEND

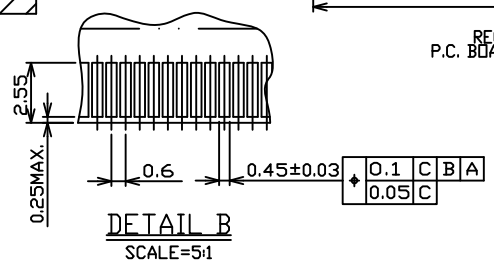
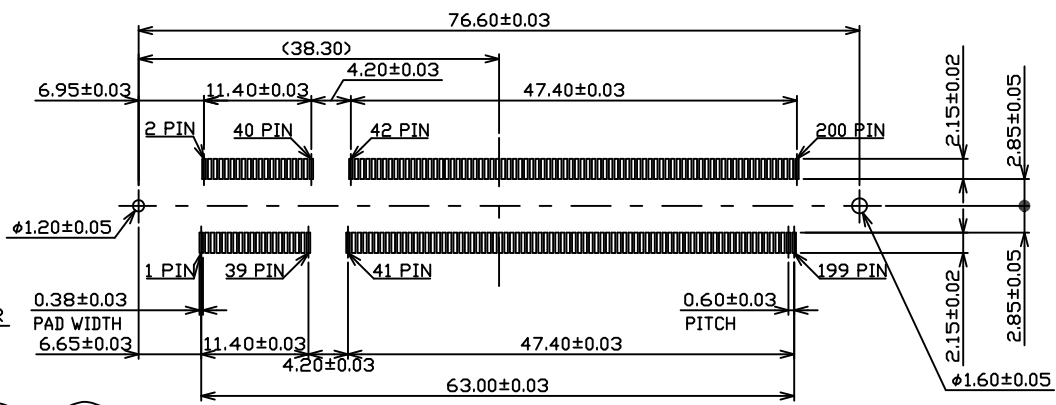
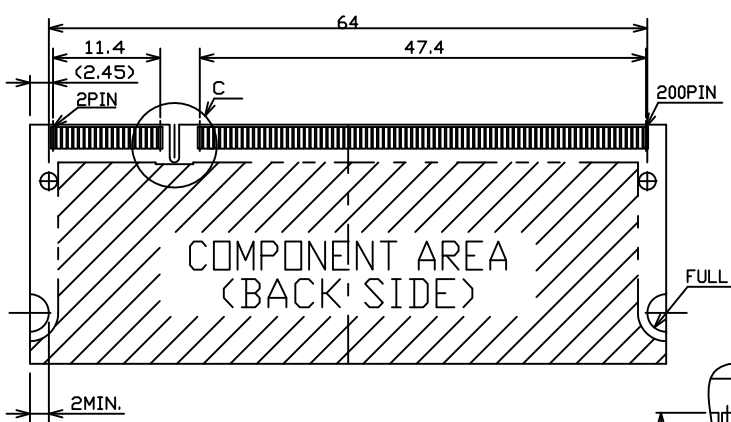
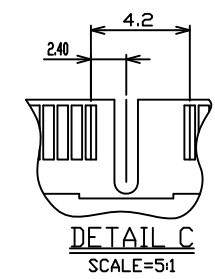
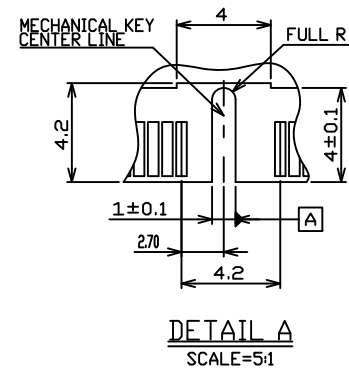
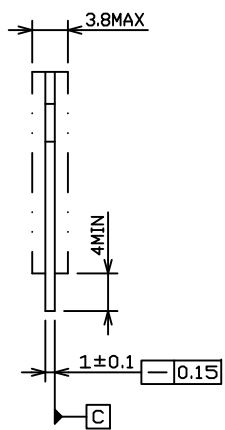
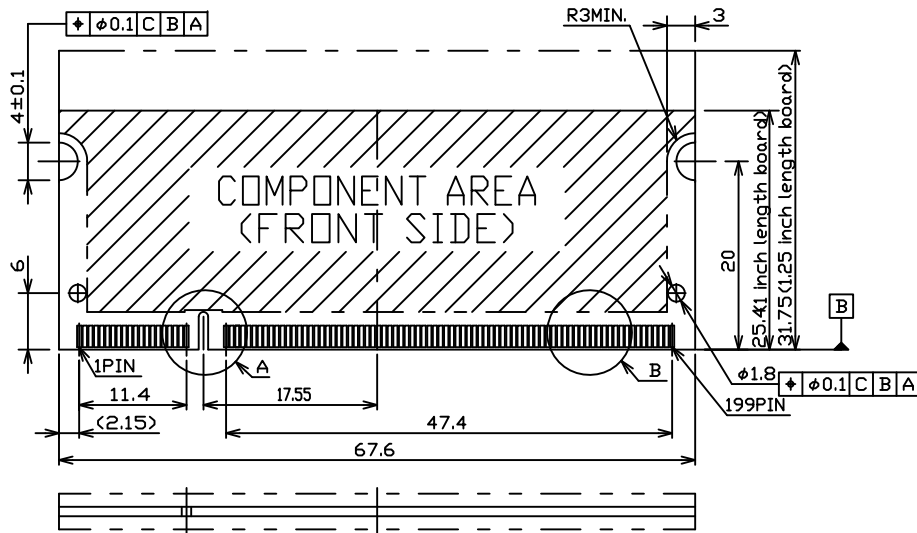
P1	P2	P3	P4	P5	P6	P7	P8	P9	P10	P11	P12
PIN ASSIGNMENT											
121B-150A00 SO DIMM DDR2 Socket 1.8V 200Pin 15.0H Vertical Type, Contact Area: Gold Flash											
PRODUCT NO.						DESCRIPTION					

UNLESS OTHERWISE SPECIFIED TOLERANCE		
ANGLES	ANG.	±5°
	0.	±0.3
LINEAR	0.0	±0.25
	0.00	±0.20
SCALE	AS SHOWED	UNIT: mm
DRAWN	Willis	2012/12/05
CHECKED	Angel	2012/12/05
APPROVED	Ken	2012/12/05



www.attend.com.tw
 DRAWN NAME: SO DIMM DDR2 Socket
 1.8V 200Pin 15.0H Vertical Type

ECN E151224001	2016/01/29										
INITIAL RELEASE	2012/12/05										
REV.	DESCRIPTION	DATE	REV.	DESCRIPTION	DATE	SIZE	REV.	FILE NAME			
1						A4	2.0	121B-150A00_B_2			



RECOMMENDED MOUNTING
P.C. BOARD DIM.

RECOMMENDED MOUNTING
P.C. BOARD PATTERN LAYOUT DIM.

REV.	DESCRIPTION	DATE	REV.	DESCRIPTION	DATE
1	SEE SHEET ONE		4		

UNLESS OTHERWISE SPECIFIED TOLERANCE		
ANGLES	ANG.	$\pm 5^\circ$
LINEAR	0.	± 0.3
	0.0	± 0.25
	0.00	± 0.20
SCALE	AS SHOWN	UNIT: mm
DRAWN	Willis	2012/12/05
CHECKED	Angel	2012/12/05
APPROVED	Ken	2012/12/05

www.attend.com.tw

DRAWN NAME: SO DIMM DDR2 Socket
1.8V 200Pin 15.0H Vertical Type

PRODUCT NO. 121B-150A00

FILE NAME 121B-150A00_B_2

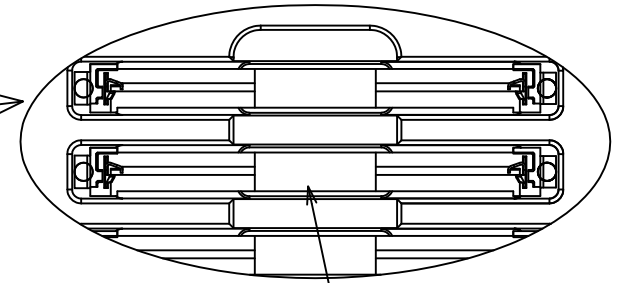
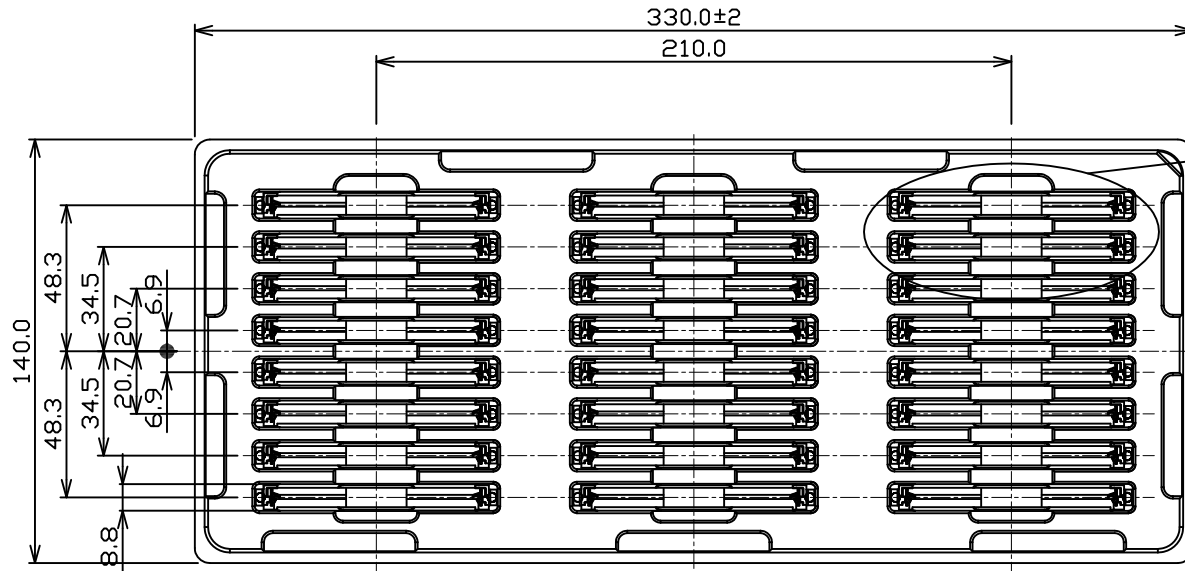
SIZE A4 REV. 2.0

REV.	DESCRIPTION	DRAWN	DATE
1	INITIAL RELEASE	WILLIS	2012/12/05
2	ECN E151224001	FROS	2016/01/29
3	Mylar dims.	TIM	2017/04/26


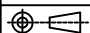
PACKAGING SPECIFICATION:

1. PACKING

- 1.1 Quantity:**
- 24Piece/Tray**
- 144Piece/Inner Carton**
- 432Piece/Outer Carton**



3
MYLAR: 6.5W X 20L X 0.085t

UNLESS OTHERWISE SPECIFIED TOLERANCE					
UNIT:	DECIMAL	LINEAR	ANGLES		
mm	X.	±0.50	±5°	WWW.ATTEND.COM.TW	
	X.X	±0.25	±3°		
	X.XX	±0.12	±1°		
DRAWN	Willis	2012/12/05	DRAWN NAME:		
CHECKED	Angel	2012/12/05	SO DIMM DDR2 Socket		
APPROVED	Ken	2012/12/05	1.8V 200Pin 15.0H Vertical Type		
	SCALE	SHEET	SIZE	FILE NAME	
	N/A	1/1	A4	121B-150A00_D_3	