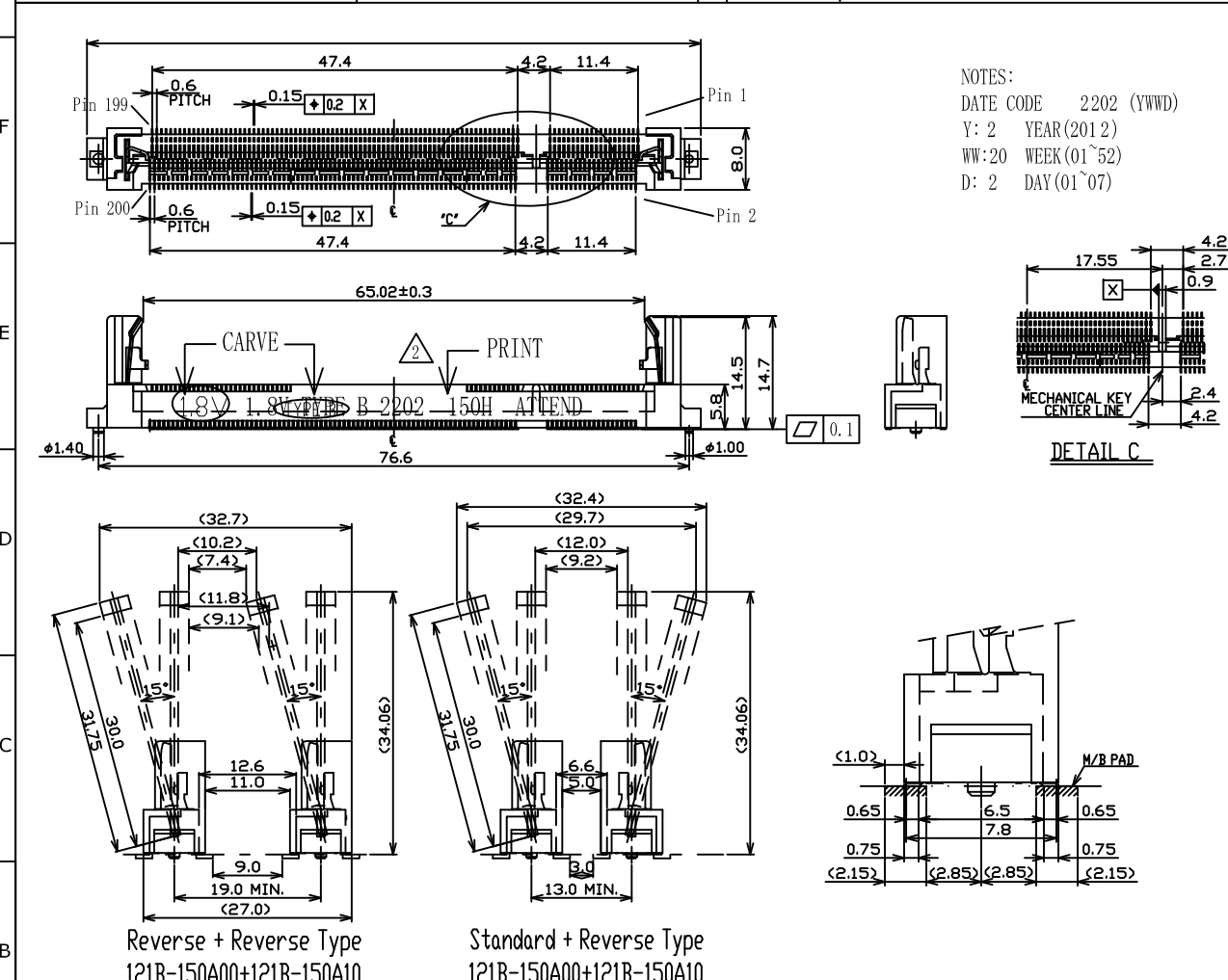


1	2	3	4	5	6	7	8	9	10
SWITCH CIRCUIT			MATERIAL AND FINISH AS BELOW						
WHEN CARD IS EJECTED		WHEN CARD IS INSERTED		A	Housing	LCP UL94V-0 Beige		E	
				B	Contact	Phosphor Bronze C5210, Contact Area: Gold Flash		F	
				C	Latch	Stainless Steel SUS301		G	
				D				H	



NOTES:
 DATE CODE 2202 (YWWDD)
 Y: 2 YEAR(2012)
 WW:20 WEEK(01~52)
 D: 2 DAY(01~07)

SPECIFICATION:

- 1. ELECTRICAL**
 - 1.1 Current Rating: 0.5A per pin
 - 1.2 Voltage Rating: 25V AC/DC
 - 1.3 Contact Resistance: 60mΩ
 - 1.4 Insulation Resistance: 500MΩ
 - 1.5 Dielectric Withstanding Voltage: 125VAC

- 2. MECHANICAL**
 - 2.1 Durability: 25 Cycle
 - 2.2 Latch Retention Force: 8 N/Pos. Min

- 3. ENVIRONMENTAL**
 - 3.1 Operating temperature range: -40°C~+85°C
 - 3.2 Storage temperature range: -40°C~+85°C

- 4. SOLDER ABILITY**
 - 4.1 Recommended IR Reflow Temperature: 255°C 10Sec

NOTE:
 HOUSING CARVE: 1.8V TYPE B
 PRINTING: 1.8V TYPE B YWWDD 150H ATTEND

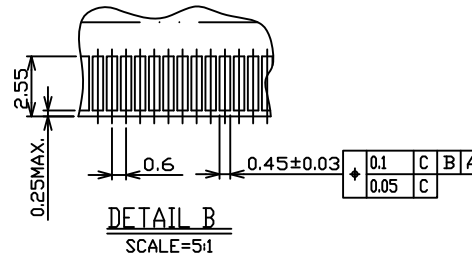
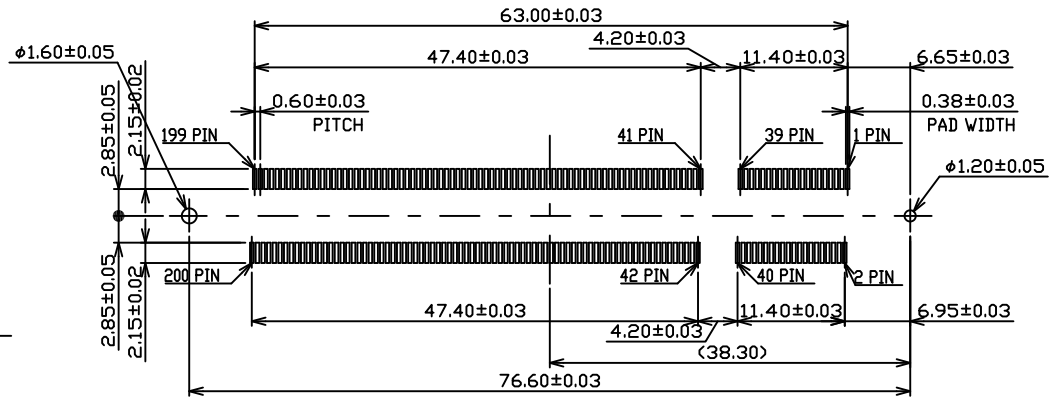
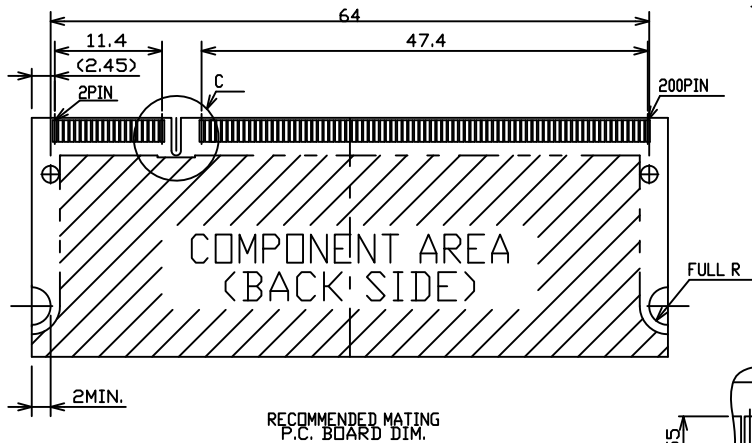
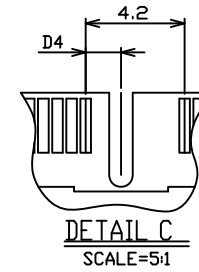
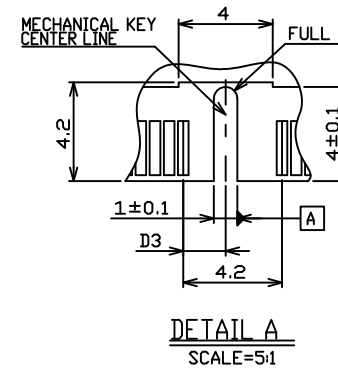
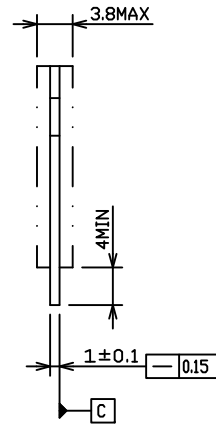
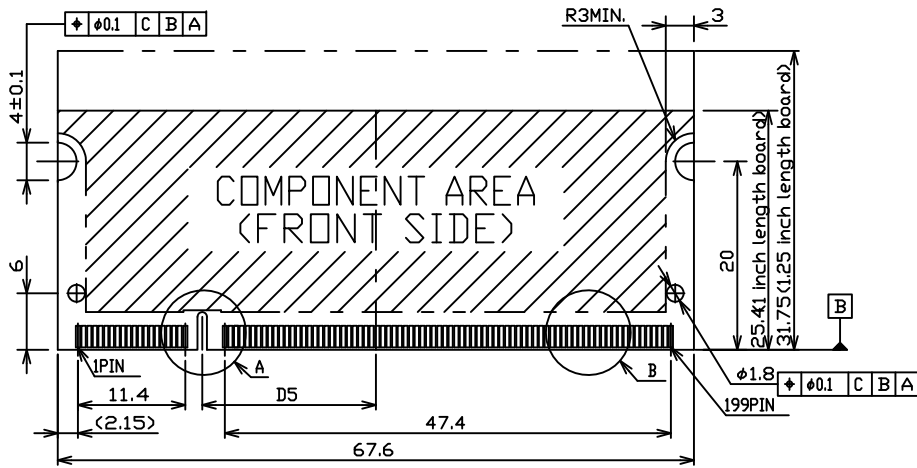
P1	P2	P3	P4	P5	P6	P7	P8	P9	P10	P11	P12
PIN ASSIGNMENT											
121B-150A10 SO DIMM DDR2 Socket 1.8V 200Pin 15.0H Vertical Reverse Type, Contact Area: Gold Flash											
PRODUCT NO. DESCRIPTION											

UNLESS OTHERWISE SPECIFIED TOLERANCE	
ANGLES	ANG. ±5°
	0. ±0.3
LINEAR	0.0 ±0.25
	0.00 ±0.20
SCALE	AS SHOWED UNIT: mm
DRAWN	Willis 2012/12/05
CHECKED	Angel 2012/12/05
APPROVED	Ken 2012/12/05



www.attend.com.tw
 DRAWN NAME: SO DIMM DDR2 Socket 1.8V 200Pin 15.0H Vertical Reverse Type
 PRODUCT NO. 121B-150A10
 FILE NAME 121B-150A10_B_2

△	ECN E151224001	2016/01/29									
△	INITIAL RELEASE	2012/12/05									
REV.	DESCRIPTION	DATE	REV.	DESCRIPTION	DATE	SIZE	REV.	FILE NAME			
1						A4	2.0	121B-150A10_B_2			



UNLESS OTHERWISE SPECIFIED TOLERANCE		
ANGLES	ANG.	±5°
	0.	±0.3
LINEAR	0.0	±0.25
	0.00	±0.20
SCALE	AS SHOWN	UNIT: mm
DRAWN	Willis	2012/12/05
CHECKED	Angel	2012/12/05
APPROVED	Ken	2012/12/05



www.attend.com.tw
DRAWN NAME: SO DIMM DDR2 Socket
1.8V 200Pin 15.0H Vertical Type

PRODUCT NO. 121B-150A10
FILE NAME 121B-150A10_B_2

REV.	DESCRIPTION	DATE	REV.	DESCRIPTION	DATE
1			4		
2			5		
3			6		
SEE SHEET ONE			7		

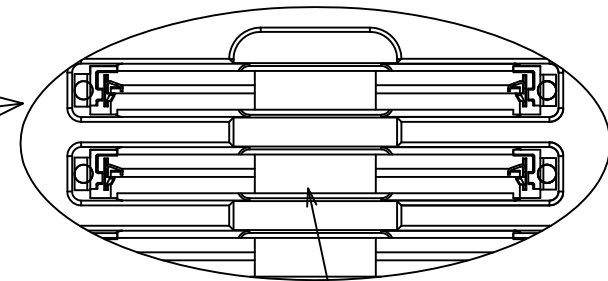
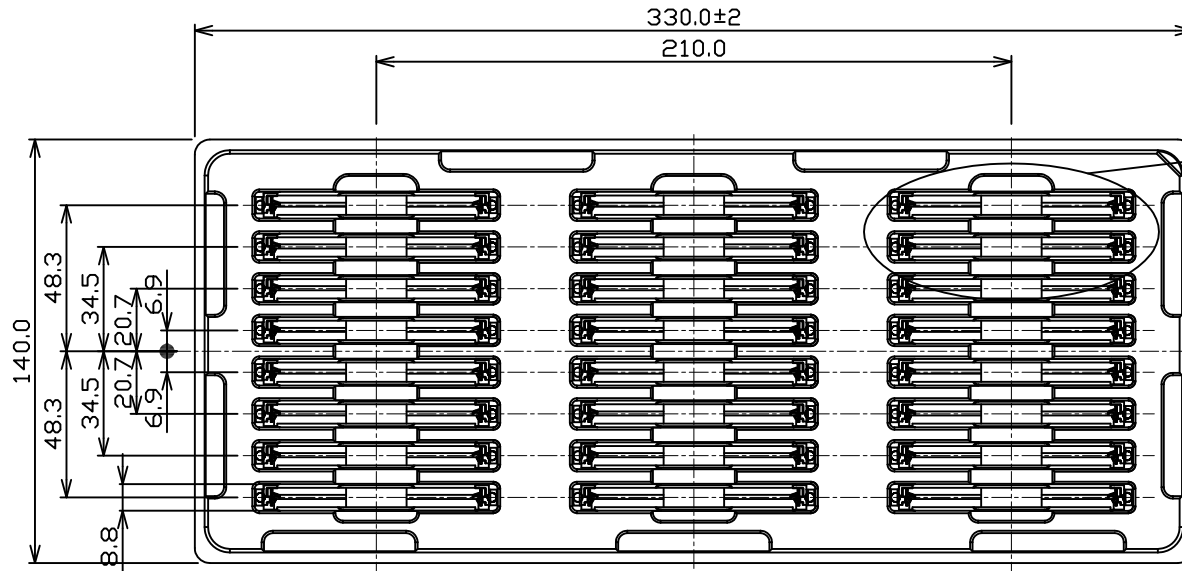
SIZE A4 REV. 2.0

REV.	DESCRIPTION	DRAWN	DATE
1	INITIAL RELEASE	WILLIS	2012/12/05
2	ECN E151224001	FROS	2016/01/29
3	Mylar dims.	TIM	2017/04/26


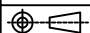
PACKAGING SPECIFICATION:

1. PACKING

- 1.1 Quantity:**
- 24Piece/Tray**
- 144Piece/Inner Carton**
- 432Piece/Outer Carton**



3
MYLAR: 6.5W X 20L X 0.085t

UNLESS OTHERWISE SPECIFIED TOLERANCE					
UNIT:	DECIMAL	LINEAR	ANGLES		
mm	X.	±0.50	±5°	DRAWN NAME: SO DIMM DDR2 Socket 1.8V 200Pin 15.0H Vertical Type	
	X.X	±0.25	±3°		
	X.XX	±0.12	±1°		
DRAWN	Willis	2012/12/05	DRAWN NAME:		
CHECKED	Angel	2012/12/05	1.8V 200Pin 15.0H Vertical Type		
APPROVED	Ken	2012/12/05	PRODUCT NO.	121B-150A10	
	SCALE N/A	SHEET 1/1	SIZE A4	FILE NAME	121B-150A10_D_3