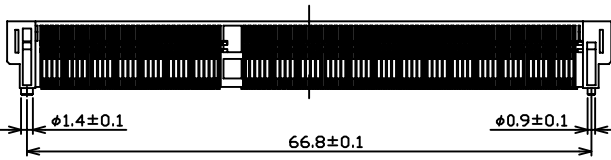
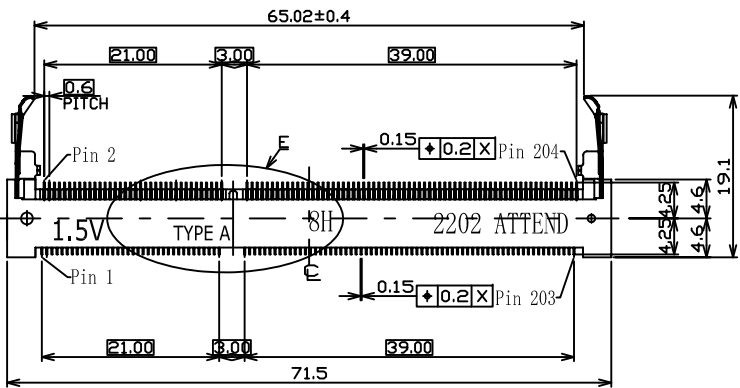
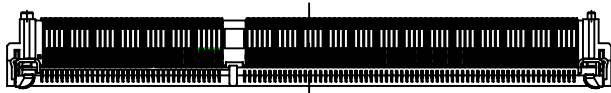
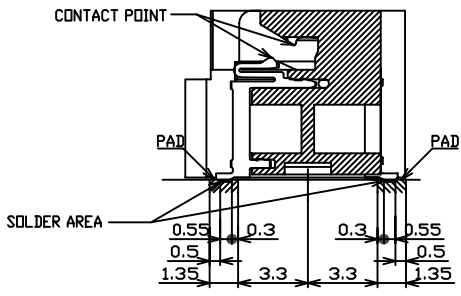
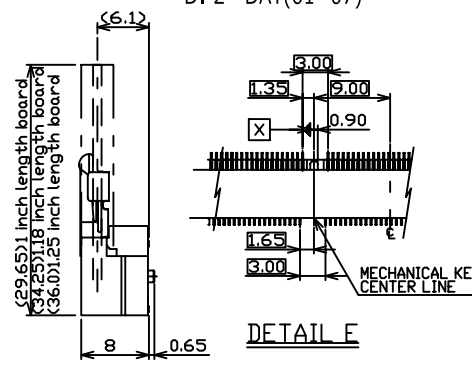


1	2	3	4	5	6	7	8	9	10
SWITCH CIRCUIT			MATERIAL AND FINISH AS BELOW						
WHEN CARD IS EJECTED		WHEN CARD IS INSERTED		A	Housing	LCP UL94V-0 Black	E		
				B	Contact	Phosphor Bronze C5210, Contact Area: Gold Flash	F		
				C	Latch	Stainless Steel SUS301	G		
				D			H		




NOTES:  
 DATE CODE 2202 (YWWDD)  
 Y: 2 YEAR(2012)  
 WW:20 WEEK(01~52)  
 D: 2 DAY(01~07)



**SPECIFICATION:**

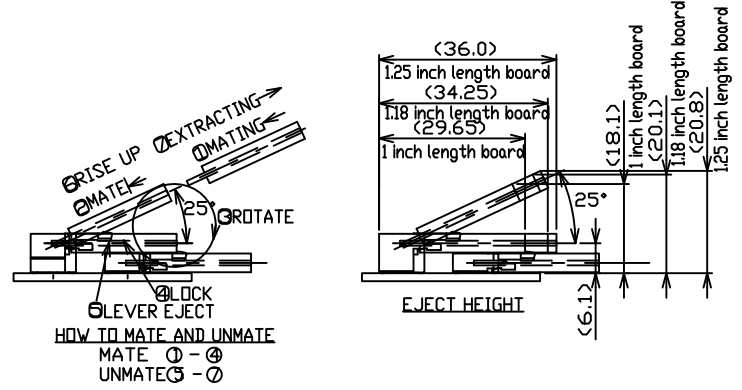
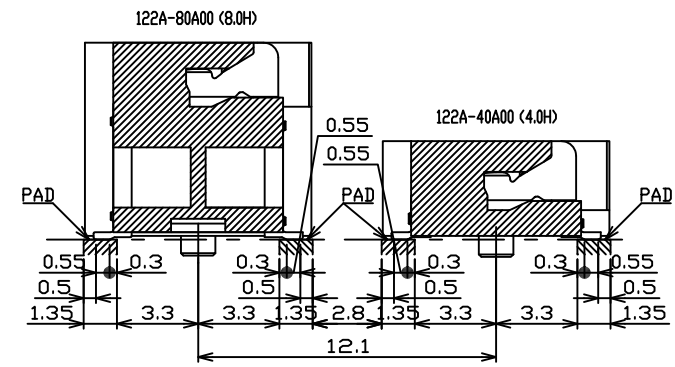
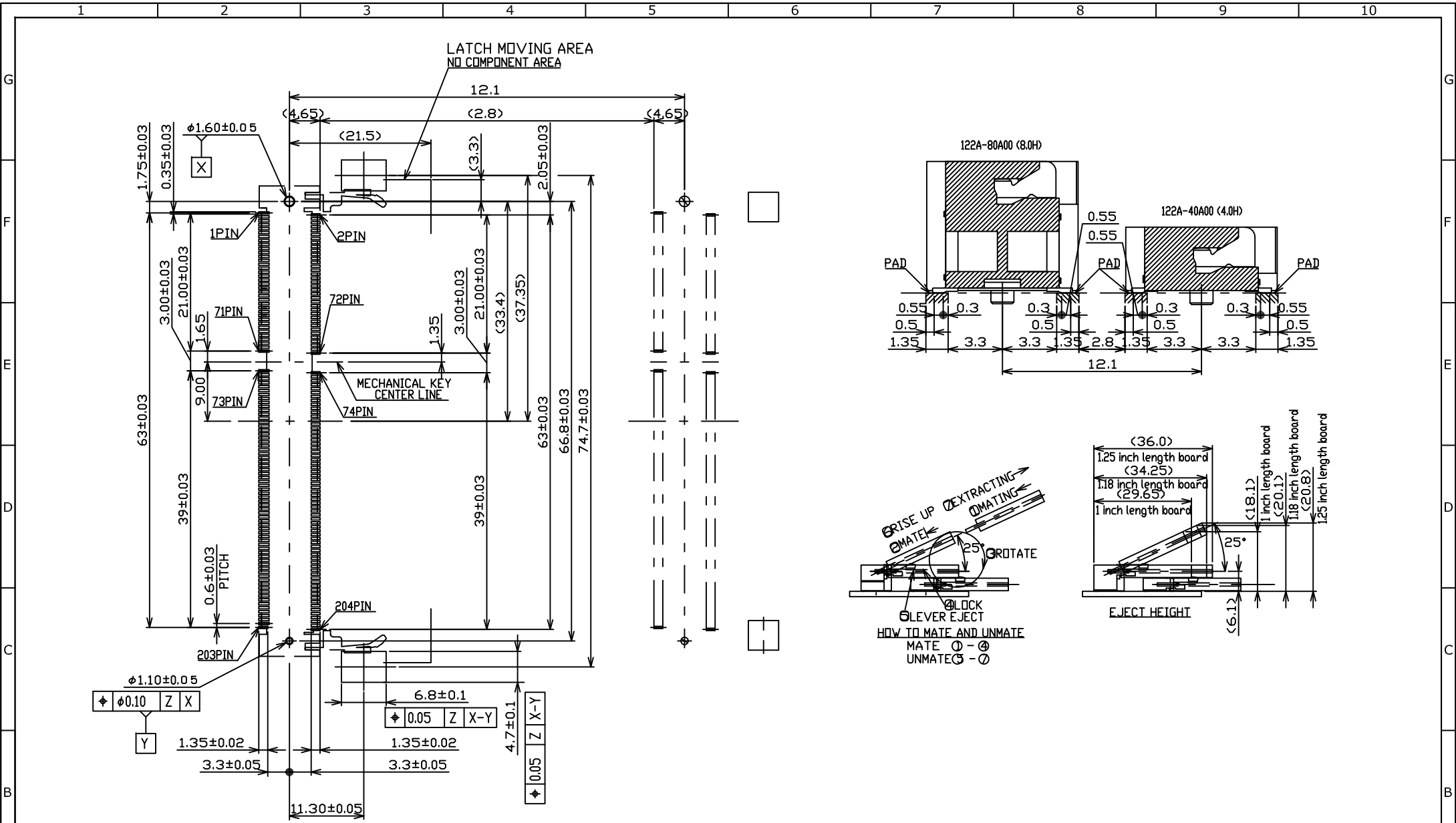
- ELECTRICAL**
  - Current Rating: 0.5A per pin
  - Voltage Rating: 25V AC/DC
  - Contact Resistance: 60mΩ
  - Insulation Resistance: 500MΩ
  - Dielectric Withstanding Voltage: 125VAC
- MECHANICAL**
  - Durability: 25 Cycle
  - Latch Retention Force: 8 N/Pos. Min
- ENVIRONMENTAL**
  - Operating temperature range: -40°C~+85°C
  - Storage temperature range: -40°C~+85°C
- SOLDER ABILITY**
  - Recommended IR Reflow Temperature: 255°C 10Sec

P1	P2	P3	P4	P5	P6	P7	P8	P9	P10	P11	P12
PIN ASSIGNMENT											
122A-80A00			SO DIMM DDR3 Socket 1.5V 204Pin Type 8.0H, Contact Area: Gold Flash								
PRODUCT NO.			DESCRIPTION								

UNLESS OTHERWISE SPECIFIED TOLERANCE			 <a href="http://www.attend.com.tw">www.attend.com.tw</a>	
ANGLES	ANG.	±5°		
LINEAR	0.	±0.3		
	0.00	±0.25		
SCALE	AS SHOWN	UNIT: mm	±0.20	
DRAWN	Willis	2012/12/05	DRAWN NAME:	
CHECKED	Angel	2012/12/05	SO DIMM DDR3 Socket 1.5V 204Pin 8.0H Type	
APPROVED	Ken	2012/12/05	PRODUCT NO.	122A-80A00
REV.	1.0	FILE NAME	122A-80A00_B_1	

REV.	DESCRIPTION	DATE	REV.	DESCRIPTION	DATE
1			4		
2			5		
3			6		
4			7		
5			8		
6			9		
7			10		

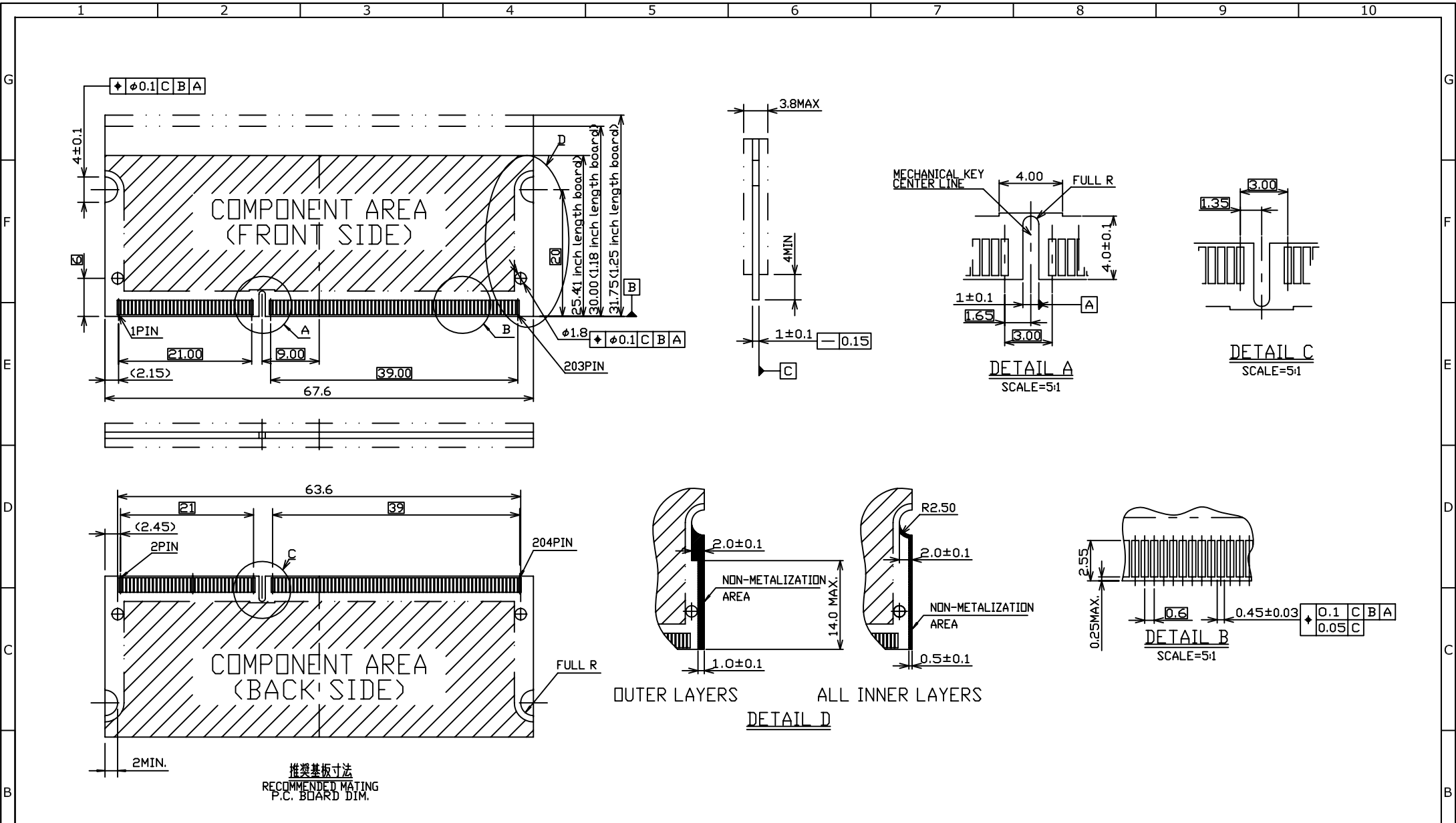
- △ Revise:
- △ Revise:
- △ Revise:



REV.	DESCRIPTION	DATE	REV.	DESCRIPTION	DATE	SIZE	REV.	FILE NAME
1			2			A4	1.0	122A-80A00_B_1
3			4					
5			6					
7			8					
9			10					

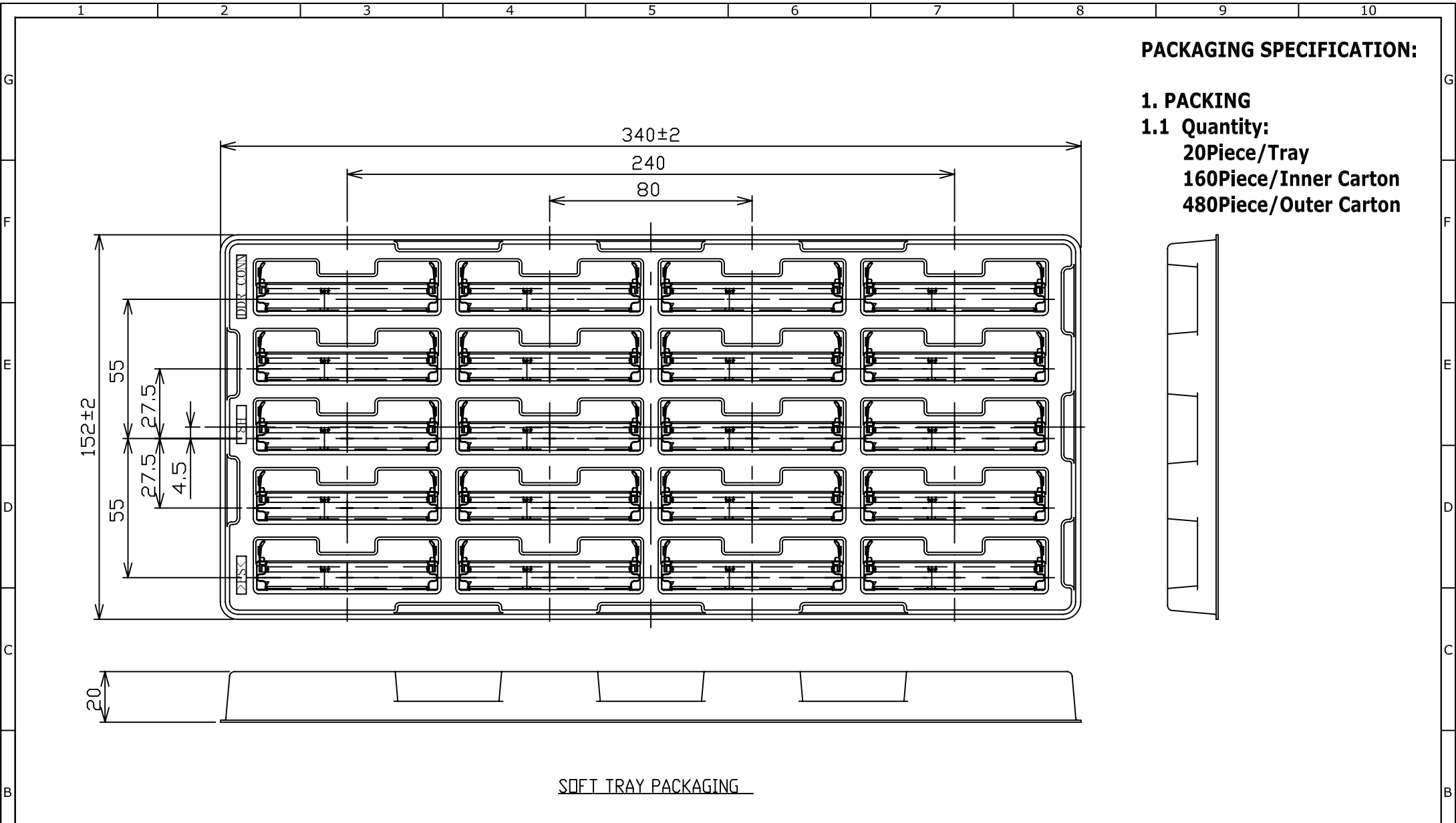
  

UNLESS OTHERWISE SPECIFIED TOLERANCE			 www.attend.com.tw	
ANGLES	ANG.	±5°		
LINEAR	0.	±0.3		
	0.0	±0.25		
	0.00	±0.20		
SCALE	AS SHOWN	UNIT: mm	DRAWN NAME: Willis	
DRAWN	Willis	2012/12/05	DRAWN NAME: Willis	
CHECKED	Angel	2012/12/05	SO DIMM DDR3 Socket 1.5V 204Pin 8.0H Type	
APPROVED	Ken	2012/12/05	PRODUCT NO.	122A-80A00
			FILE NAME	122A-80A00_B_1



						UNLESS OTHERWISE SPECIFIED TOLERANCE			 www.attend.com.tw	
						ANGLES	ANG.	±5°		
						LINEAR		0.	±0.3	
								0.00	±0.25	
						SCALE	AS SHOWN	UNIT: mm	±0.20	
						DRAWN	Willis	2012/12/05	DRAWN NAME:	
						CHECKED	Angel	2012/12/05	SO DIMM DDR3 Socket 1.5V 204Pin 8.0H Type	
						APPROVED	Ken	2012/12/05	PRODUCT NO.	122A-80A00
REV.	DESCRIPTION		DATE	REV.	DESCRIPTION		DATE	SIZE	REV.	FILE NAME
1				4				A4	1.0	122A-80A00_B_1





**PACKAGING SPECIFICATION:**

- 1. PACKING**
- 1.1 Quantity:**

  - 20Piece/Tray**
  - 160Piece/Inner Carton**
  - 480Piece/Outer Carton**



SOFT TRAY PACKAGING

						UNLESS OTHERWISE SPECIFIED TOLERANCE					
						ANGLES	ANG.	±5°			
						LINEAR		0.	±0.3		
								0.0	±0.25		
								0.00	±0.20		
						SCALE	AS SHOWN	UNIT: mm	www.attend.com.tw		
						DRAWN	Willis	2012/12/05	DRAWN NAME:		
						CHECKED	Angel	2012/12/05	SO DIMM DDR3 Socket 1.5V 204Pin 8.0H Type		
						APPROVED	Ken	2012/12/05	PRODUCT NO.	122A-80A00	
REV.	DESCRIPTION	DATE	REV.	DESCRIPTION	DATE	 SIZE A4		REV.	1.0	FILE NAME	122A-80A00_D_1
1			4					9		10	

A

A

A

A

A

A