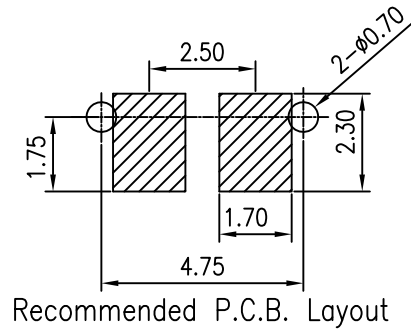
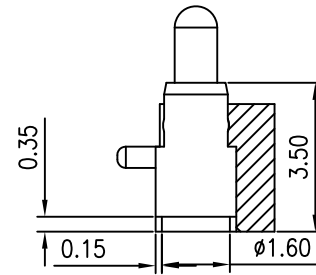
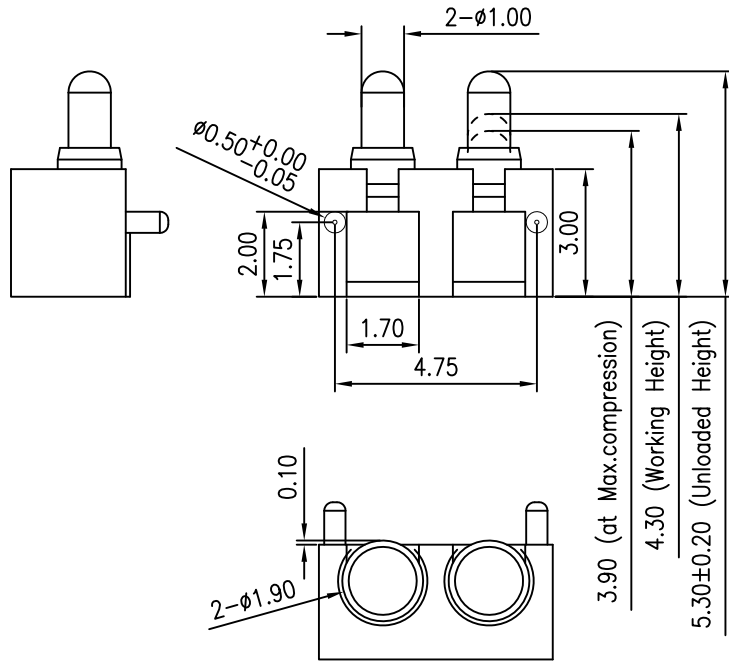
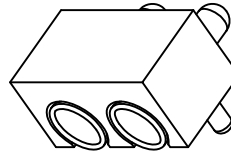
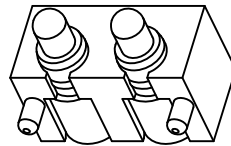
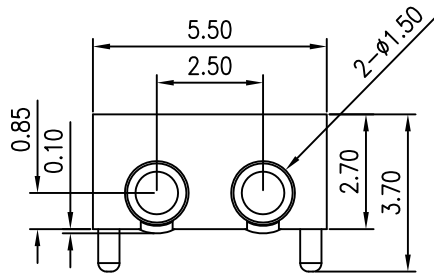


1	2	3	4	5	6	7	8	9	10
SWITCH CIRCUIT			MATERIAL AND FINISH AS BELOW						
WHEN CARD IS EJECTED		WHEN CARD IS INSERTED		A	Housing	HTN UL94V-0 Black	E		
				B	Plunger	Brass C3604,10u" Gold	F		
				C	Barrel	Brass C3604,10u" Gold	G		
				D	Spring	Stainless Steel SUS304	H		



### SPECIFICATION:

#### 1. ELECTRICAL

- 1.1 Current Rating: 1A
- 1.2 Voltage Rating: 12VDC
- 1.3 Contact Resistance: 50mΩ max.

#### 2. MECHANICAL

- 2.1 Durability: 10000 Cycle .
- 2.2 Spring Force: 120g±20% at 4.30 Working Height.

#### 3. ENVIRONMENTAL

- 3.1 Operating temperature range: -40°C~+85°C
- 3.2 Storage temperature range: -40°C~+85°C

#### 4. SOLDER ABILITY

- 4.1 Recommended Wave Soldering Temperature: 260°C

P1	P2	P3	P4	P5	P6	P7	P8	P9	P10	P11	P12
----	----	----	----	----	----	----	----	----	-----	-----	-----

#### PIN ASSIGNMENT

303B-351819-25-000	Pogo Pin Two Pin, Pitch:2.5 Height:5.3, Contact Plating: 10u" Gold
--------------------	--

PRODUCT NO.	DESCRIPTION
-------------	-------------

UNLESS OTHERWISE SPECIFIED TOLERANCE

ANGLES	ANG.	±5°
LINEAR	0.	±0.3
	0.0	±0.25
	0.00	±0.20

SCALE AS SHOWN UNIT: mm

DRAWN Willis 2014/04/22

CHECKED Angel 2014/04/22

APPROVED Ken 2014/04/22



www.attend.com.tw

DRAWN NAME: Pogo Pin Two Pin

PRODUCT NO. 303B-351819-25-000

FILE NAME 303B-351819-25-000\_B\_2

REV.	DESCRIPTION	DATE	REV.	DESCRIPTION	DATE
1			4		
2			5		
3			6		