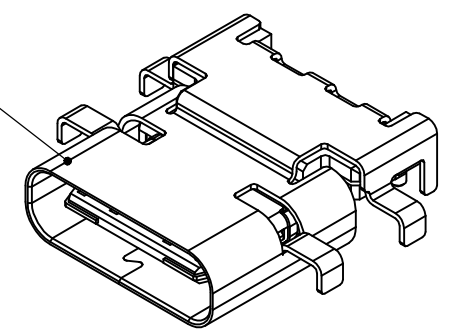
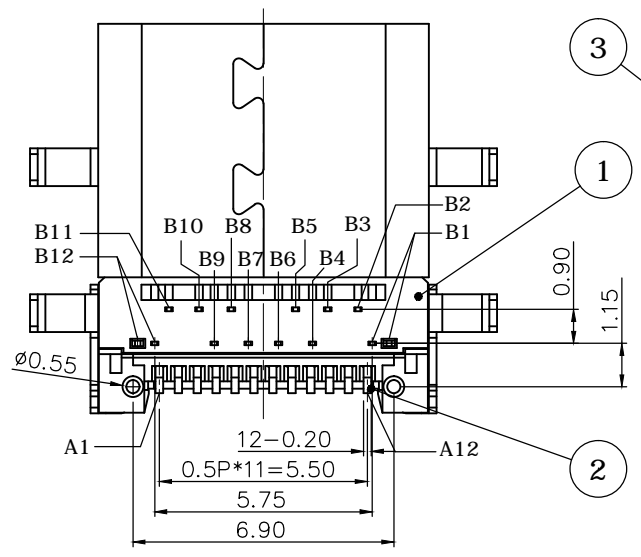
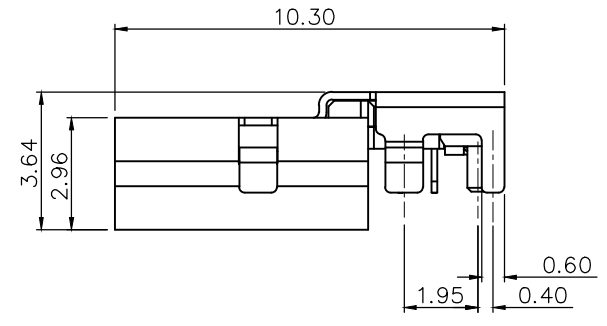
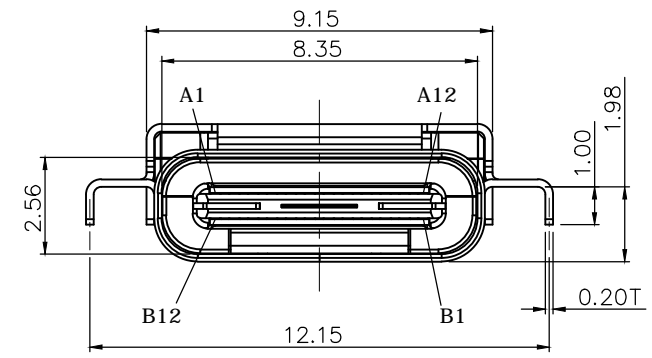
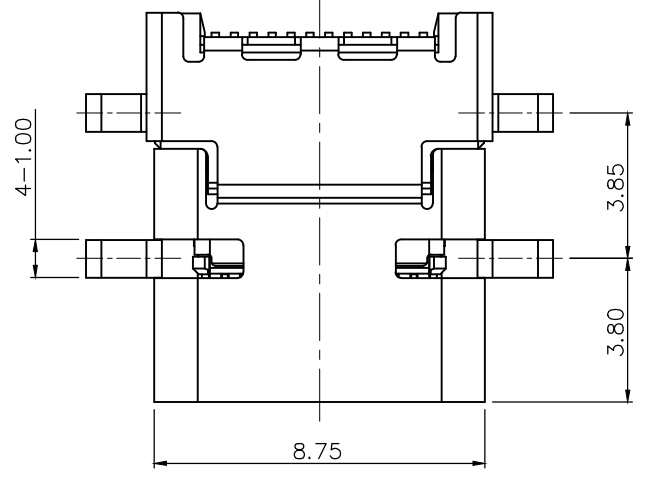


REV.	DESCRIPTION	DRAWN	DATE
1	INITIAL RELEASE	FROS	2015/05/08



SPECIFICATION:

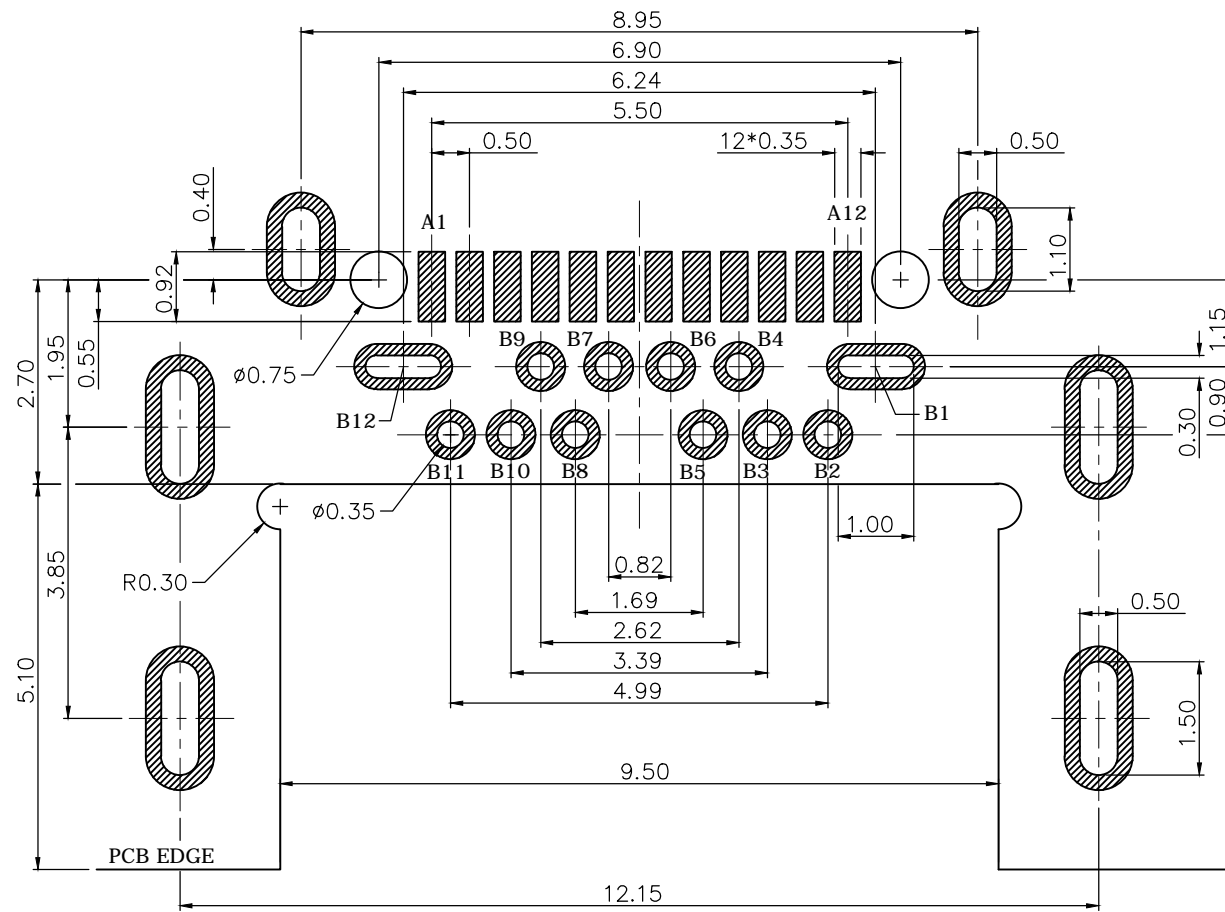
1. ELECTRICAL
 - 1.1 Current Rating: 3A
 - 1.2 Voltage Rating: 5V AC/DC
 - 1.3 Contact Resistance: 40mΩ
 - 1.4 Insulation Resistance: 100MΩ
 - 1.5 Dielectric Withstanding Voltage: 100VAC
2. MECHANICAL
 - 2.1 Durability: 10,000 Cycle
 - 2.2 Mating Force: 5N to 20N
 - 2.3 Un-mating Force: 8N to 20N
3. ENVIRONMENTAL
 - 3.1 Operating temperature range: -10°C to +60°C
 - 3.2 Storage temperature range: -20°C to +85°C
4. SOLDER ABILITY
 - 4.1 Recommended IR Reflow (Wave Soldering) Temperature: 260°C

3	Shell	Stainless steel, 80u" Tin plating under plating 50u" Nickel	
2	Contact	Copper alloy, Gold flash on contact area 100u" Tin on solder tails, under 50u" Nickel	
1	Insulator	Synthetic Resin, Black	
NO. PART NAME		DESCRIPTION	
UNLESS OTHERWISE SPECIFIED TOLERANCE			
UNIT:	DECIMAL	LINEAR	ANGLES
mm	X.	±0.50	±5°
	X.X	±0.25	±3°
	X.XX	±0.12	±1°
DRAWN		Fros	2015/05/08
CHECKED		Zola	2015/05/08
APPROVED		Ken	2015/05/08
SCALE		5/1	SHEET 1/2
SIZE		A4	
DRAWN NAME:		USB 3.1 C Type R/A, Middle Mount Socket	
PRODUCT NO.		217C-AA01	
FILE NAME		217C-AA01_B_1	



WWW.ATTEND.COM.TW

REV.	DESCRIPTION	DRAWN	DATE
	SEE SHEET ONE		



RECOMMEND LAYOUT (TOP VIEW)
GENERAL TOLERANCE: ±0.05MM

PIN ASSIGNMENTS:

PIN NUMBER	SIGNAL NAME	PIN NUMBER	SIGNAL NAME
A1	GND	B12	GND
A2	SSTXp1	B11	SSRXp1
A3	SSTXn1	B10	SSRXn1
A4	VBUS	B9	VBUS
A5	CC1	B8	SBU2
A6	Dp1	B7	Dn2
A7	Dn1	B6	Dp2
A8	SBU1	B5	CC2
A9	VBUS	B4	VBUS
A10	SSRXn2	B3	SSTXn2
A11	SSRXp2	B2	SSTXp2
A12	GND	B1	GND

UNLESS OTHERWISE SPECIFIED TOLERANCE

UNIT:	DECIMAL	LINEAR	ANGLES
mm	X.	±0.50	±5°
	X.X	±0.25	±3°
	X.XX	±0.12	±1°



WWW.ATTEND.COM.TW

DRAWN	Fros	2015/05/08	DRAWN NAME:
CHECKED	Zola	2015/05/08	USB 3.1 C Type R/A, Middle Mount Socket
APPROVED	Ken	2015/05/08	PRODUCT NO. 217C-AA01
SCALE	10/1	SHEET 2/2	SIZE A4
FILE NAME	217C-AA01_B_1		