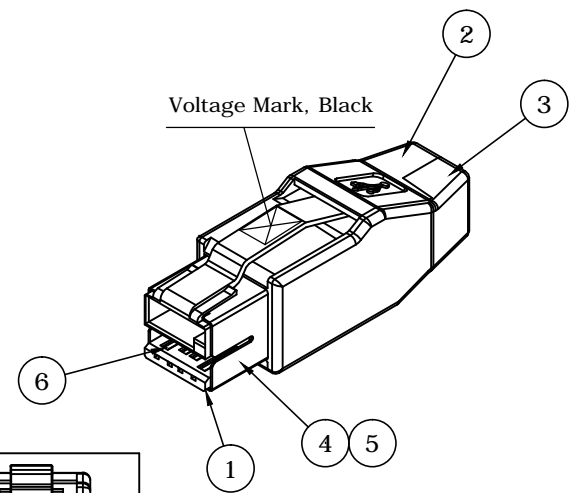
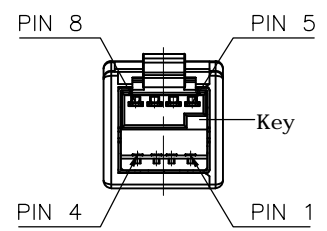
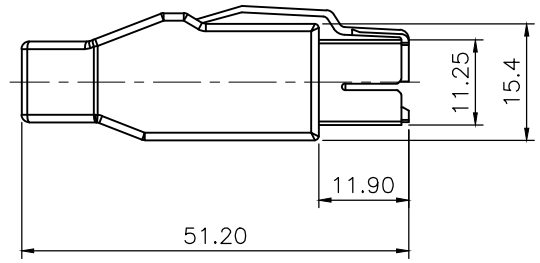
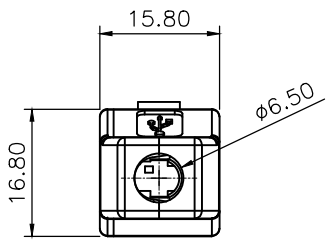
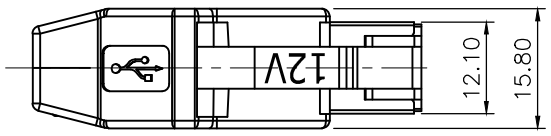


REV.	DESCRIPTION	DRAWN	DATE
1	INITIAL RELEASE	FROS	2015/04/16



SPECIFICATION:

1. ELECTRICAL

- 1.1 Current Rating: 1.5A (USB Section)
3.0A (Powered Section)

1.2 Voltage Rating:

USB: 5.25V DC
Powered: 12V

- 1.3 Contact Resistance: 40mΩ Max.

- 1.4 Insulation Resistance: 1000MΩ at 500V DC

- 1.5 Dielectric Withstanding Voltage: 750V AC

2. MECHANICAL

- 2.1 Durability: 1,500 Cycle

- 2.2 Mating Force: 67N max.

- 2.3 UN-Mating Force: 10N max.

3. ENVIRONMENTAL

- 3.1 Operating temperature range: -20°C~+85°C

- 3.2 Storage temperature range: -20°C~+85°C

4. SOLDER ABILITY

- 4.1 Recommend Temperature: 245°C

Contact Number	Signal Name	Plugging Sequence
Shell	Shield	1
1	VBUS	2
2	D-	3
3	D+	3
4	USB Ground	2
5	PWR Ground	2
6	VPLUS	3
7	VPLUS	3
8	PWR Ground	2

Insulator Key Position	Key 3	Key 1	Key 2
Voltage Rate	5V	12V	24V
Insulator Color	Black color	Green color	Red color

NO.	PART NAME	DESCRIPTION
6	TERMINAL	PHOSPHOR BRONZE, GOLD 10u" MIN ON CONTACT AREA SHINE TIN 80u" MIN ON SOLDER TAILS UNDER-PLATED NICKEL OVER ALL 50u" MIN.
5	SHORT SHELL	PHOSPHOR BRONZE, TIN OVER ALL
4	LONG SHELL	PHOSPHOR BRONZE, TIN OVER ALL
3	BOTTOM COVER	ABS, BEIGE COVER
2	TOP COVER	ABS, BEIGE COVER
1	INSULATOR	NYLON 66, UL94V-0, COLOR: BLACK

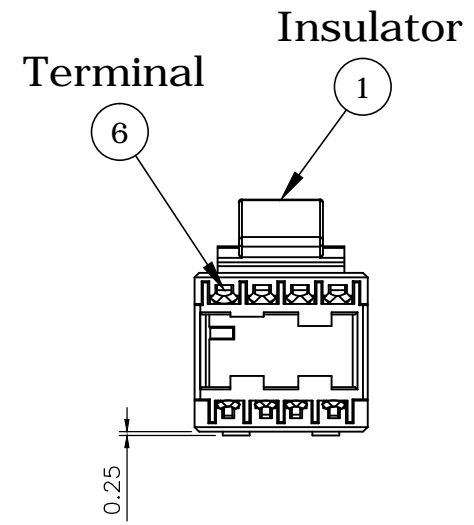
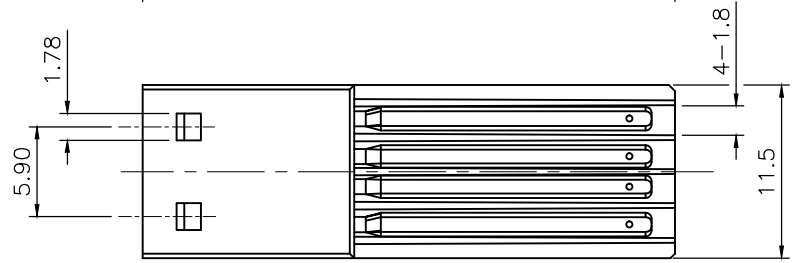
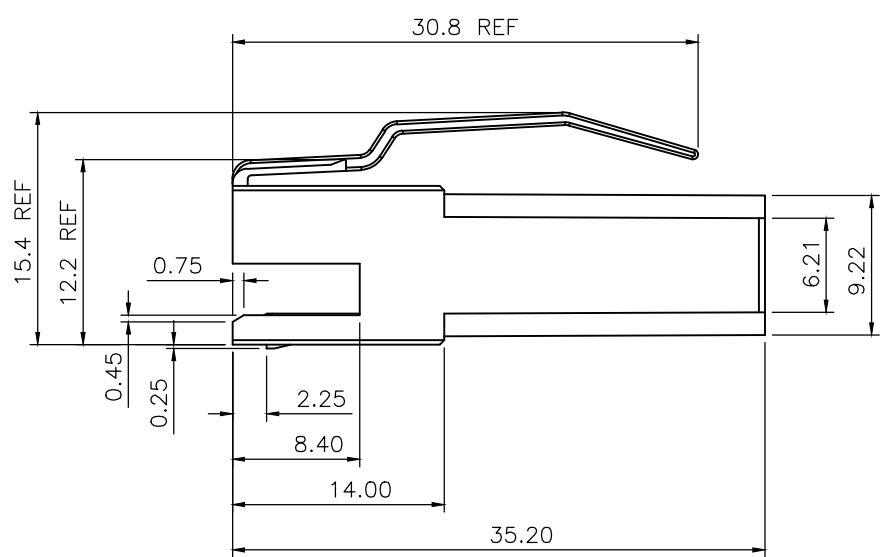
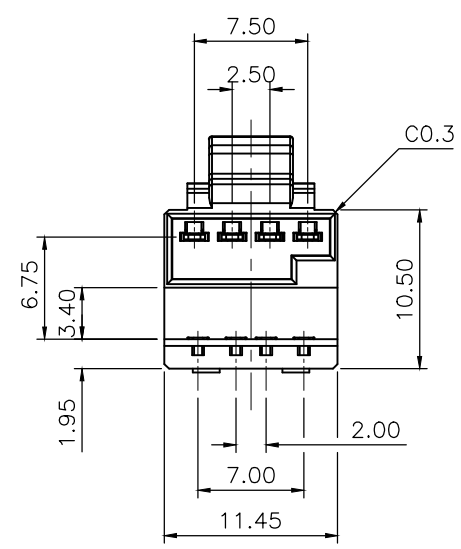
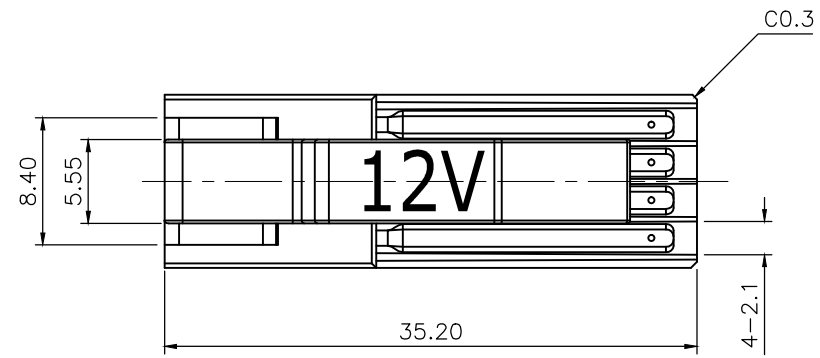
UNLESS OTHERWISE SPECIFIED TOLERANCE			
UNIT:	DECIMAL	LINEAR	ANGLES
mm	X.	±0.50	±5°
	X.X	±0.25	±3°
	X.XX	±0.12	±1°



WWW.ATTEND.COM.TW

DRAWN	Fros	2015/04/16	DRAWN NAME:	
CHECKED	Zola	2015/04/16	Powered USB Plug 8 Pin, OD6.5, 10u" Gold, 12V (Green)	
APPROVED	Albert	2015/04/16	PRODUCT NO.	218A-12D01
SCALE	1/1	SHEET	1/5	SIZE
				A4
FILE NAME			218A-12D01_B_1	

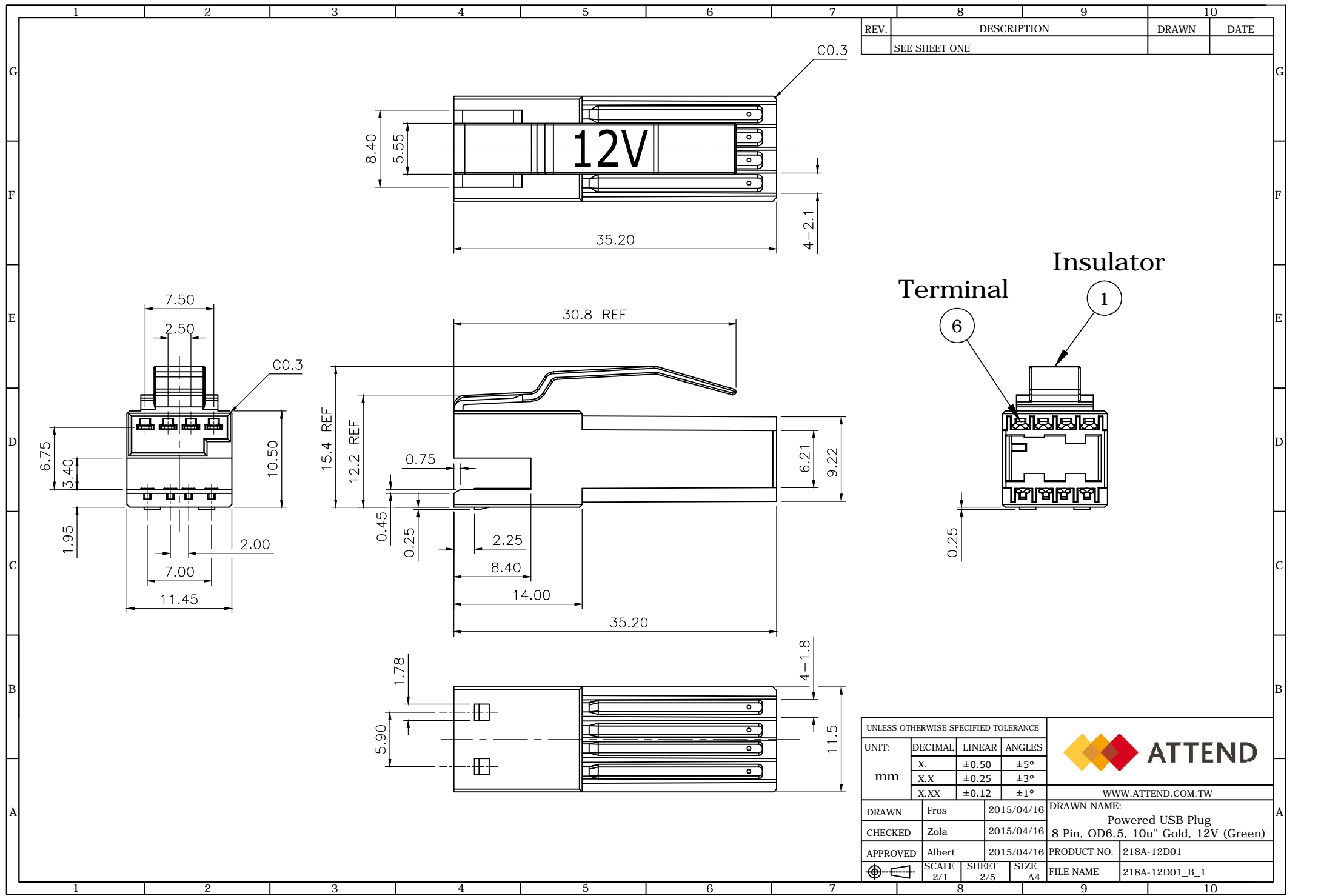
REV.	DESCRIPTION	DRAWN	DATE
	SEE SHEET ONE		



UNLESS OTHERWISE SPECIFIED TOLERANCE			
UNIT:	DECIMAL	LINEAR	ANGLES
mm	X.	±0.50	±5°
	X.X	±0.25	±3°
	X.XX	±0.12	±1°

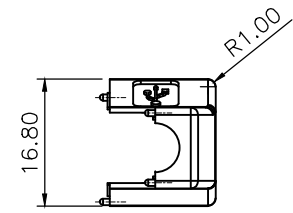
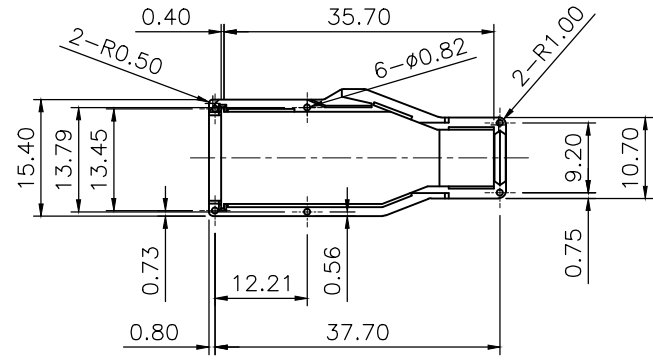
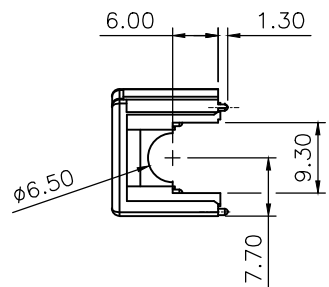
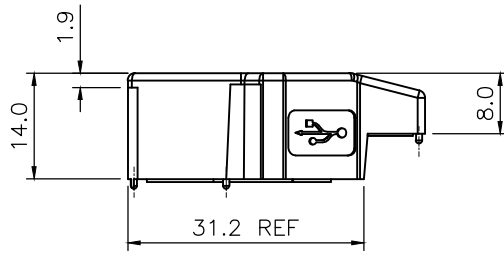


DRAWN		Fros	2015/04/16	DRAWN NAME:	
CHECKED		Zola	2015/04/16	Powered USB Plug	
APPROVED		Albert	2015/04/16	8 Pin, OD6.5, 10u" Gold, 12V (Green)	
SCALE		2/1	SHEET	2/5	SIZE
FILE NAME		218A-12D01_B_1			

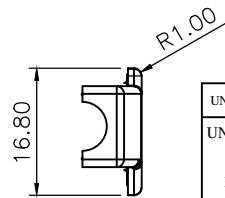
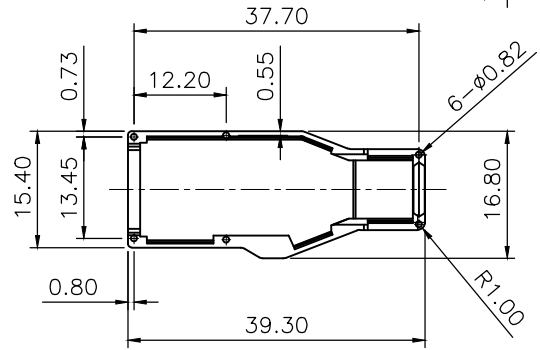
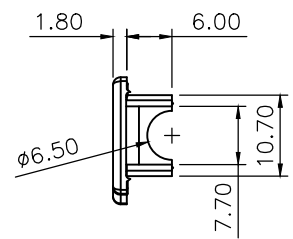
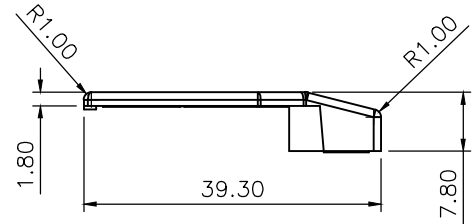



REV.	DESCRIPTION	DRAWN	DATE
	SEE SHEET ONE		

② Top Cover



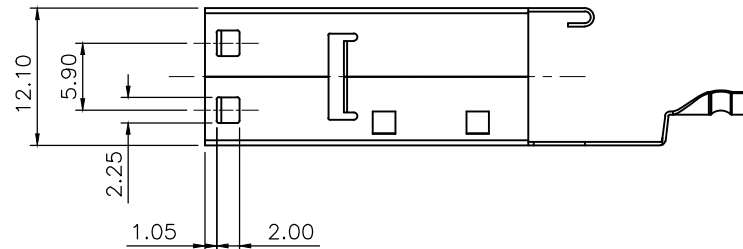
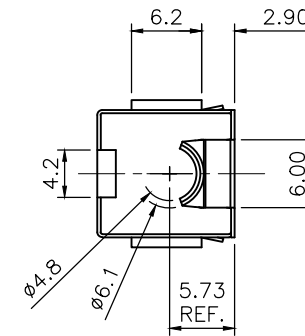
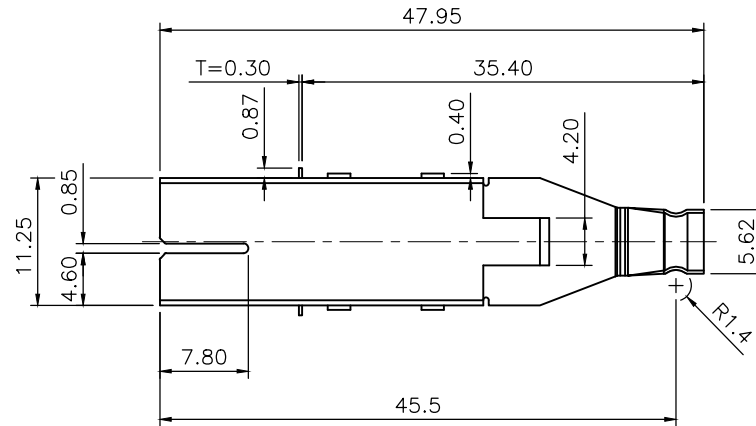
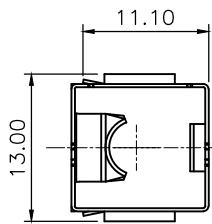
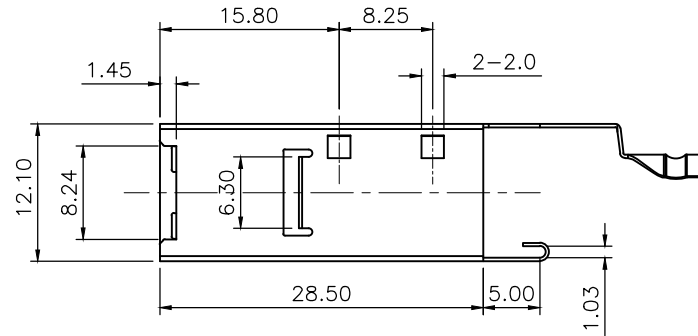
② Bottom Cover




UNLESS OTHERWISE SPECIFIED TOLERANCE				 WWW.ATTEND.COM.TW
UNIT:	DECIMAL	LINEAR	ANGLES	
mm	X	±0.50	±5°	
	X.X	±0.25	±3°	
	X.XX	±0.12	±1°	
DRAWN	Fros	2015/04/16	DRAWN NAME: Powered USB Plug	
CHECKED	Zola	2015/04/16	8 Pin, OD6.5, 10u" Gold, 12V (Green)	
APPROVED	Albert	2015/04/16	PRODUCT NO.	218A-12D01
SCALE	2/1	SHEET	3/5	SIZE
				A4
			FILE NAME	218A-12D01_B_1

REV.	DESCRIPTION	DRAWN	DATE
	SEE SHEET ONE		

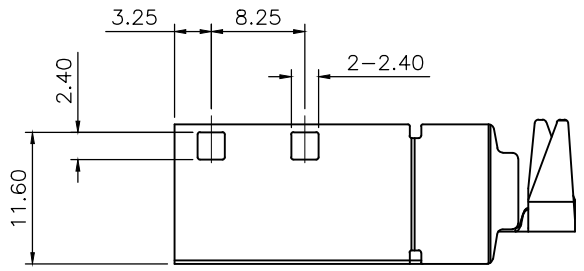
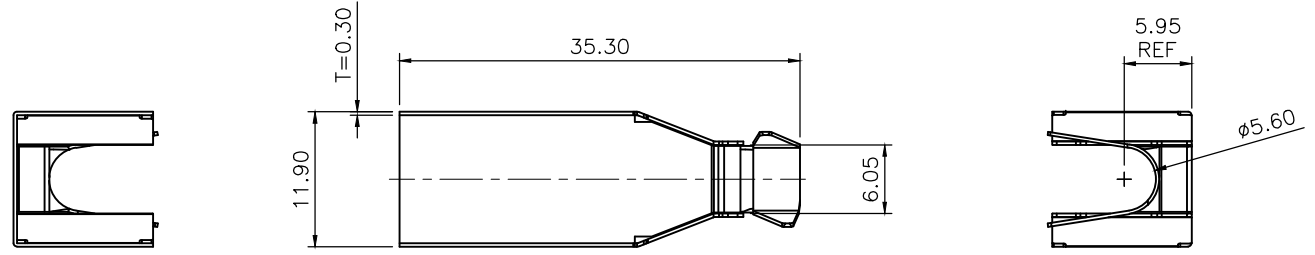
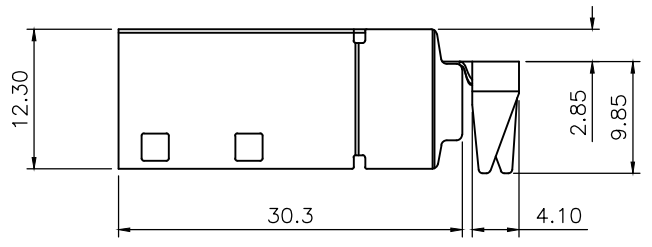
④ Long Shell


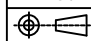


UNLESS OTHERWISE SPECIFIED TOLERANCE				 WWW.ATTEND.COM.TW
UNIT:	DECIMAL	LINEAR	ANGLES	
mm	X.	±0.50	±5°	
	X.X	±0.25	±3°	
	X.XX	±0.12	±1°	
DRAWN	Fros	2015/04/16	DRAWN NAME:	
CHECKED	Zola	2015/04/16	Powered USB Plug	
APPROVED	Albert	2015/04/16	8 Pin, OD6.5, 10u" Gold, 12V (Green)	
SCALE	1.6/1	SHEET	4/5	PRODUCT NO. 218A-12D01
		SIZE	A4	FILE NAME 218A-12D01_B_1

REV.	DESCRIPTION	DRAWN	DATE
	SEE SHEET ONE		

⑤ Shot Shell



UNLESS OTHERWISE SPECIFIED TOLERANCE				 WWW.ATTEND.COM.TW	
UNIT:	DECIMAL	LINEAR	ANGLES		
mm	X.	±0.50	±5°		
	X.X	±0.25	±3°		
	X.XX	±0.12	±1°		
DRAWN	Fros	2015/04/16	DRAWN NAME:		
CHECKED	Zola	2015/04/16	Powered USB Plug		
APPROVED	Albert	2015/04/16	8 Pin, OD6.5, 10u" Gold, 12V (Green)		
			PRODUCT NO.	218A-12D01	
SCALE	1.6/1	SHEET	5/5	SIZE	A4
			FILE NAME	218A-12D01_B_1	