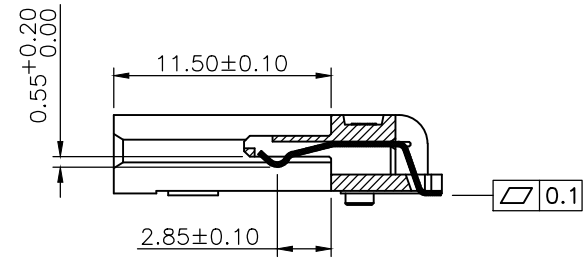
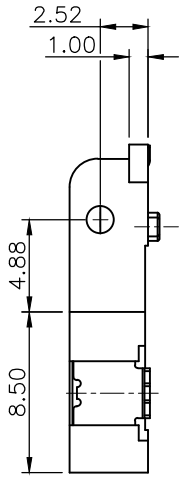
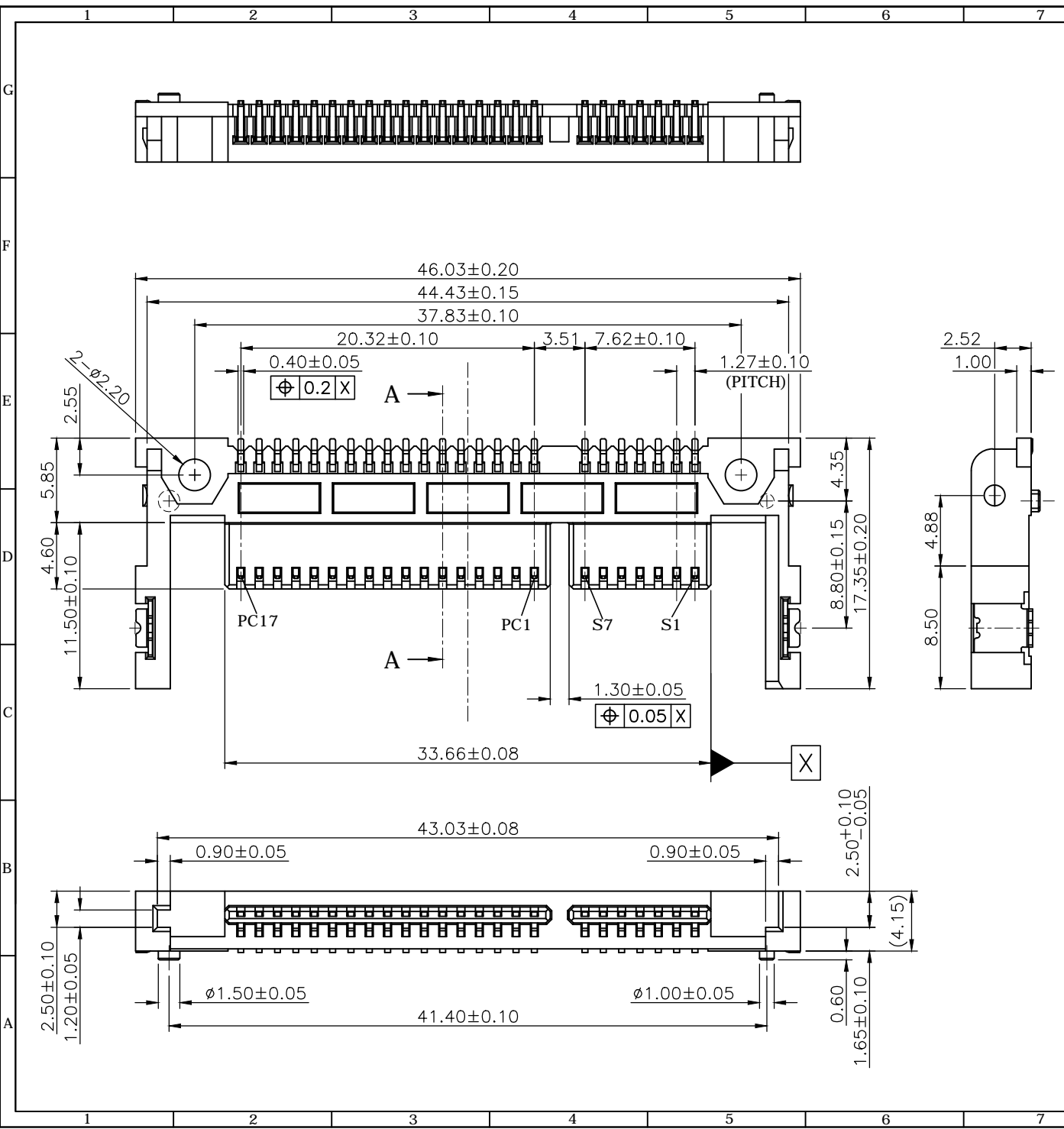



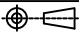
REV.	DESCRIPTION	DRAWN	DATE
1	INITIAL RELEASE	FROS	2015/09/03

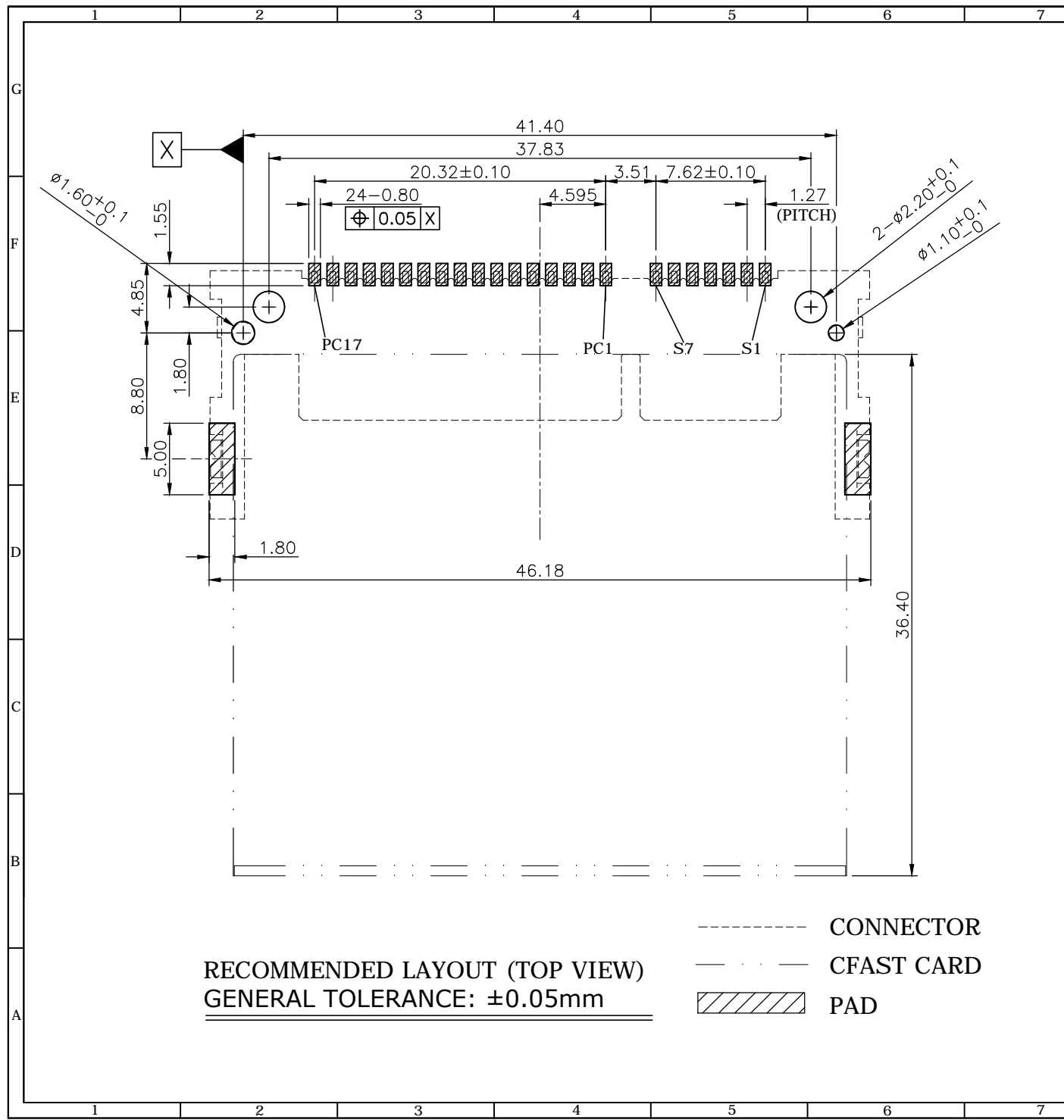
SPECIFICATION:

1. ELECTRICAL
 - 1.1 Current Rating: 1.5A per pin
 - 1.2 Voltage Rating: 100V AC/DC
 - 1.3 Contact Resistance: 40mΩ
 - 1.4 Insulation Resistance: 1000MΩ
 - 1.5 Dielectric Withstanding Voltage: 500VAC
2. MECHANICAL
 - 2.1 Durability: 10,000 Cycle
 - 2.2 Mating Force: 24.5N max.
 - 2.3 Unmating Force: 3.7N min.
3. ENVIRONMENTAL
 - 3.1 Operating temperature range: -40°C~+85°C
 - 3.2 Storage temperature range: -40°C~+85°C
4. SOLDER ABILITY
 - 4.1 Recommended IR Reflow(Wave Soldering) Temperature: 260°C 10sec



SECTION A-A

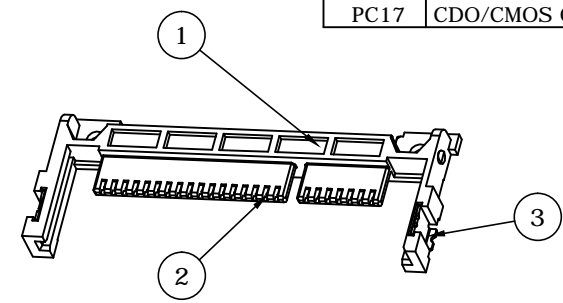
UNLESS OTHERWISE SPECIFIED TOLERANCE				 WWW.ATTEND.COM.TW
UNIT:	DECIMAL	LINEAR	ANGLES	
mm	X.	±0.50	±5°	
	X.X	±0.25	±3°	
	X.XX	±0.12	±1°	
DRAWN	Fros	2015/09/03	DRAWN NAME:	
CHECKED	Zola	2015/09/03	CF-FAST Card Socket, Slim Type Top mount, H=4.15mm, 5u" Gold	
APPROVED	Ken	2015/09/03	PRODUCT NO. 120D-4C00	
 SCALE 2.5/1	SHEET 1/3	SIZE A4	FILE NAME 120D-4C00_B_1	



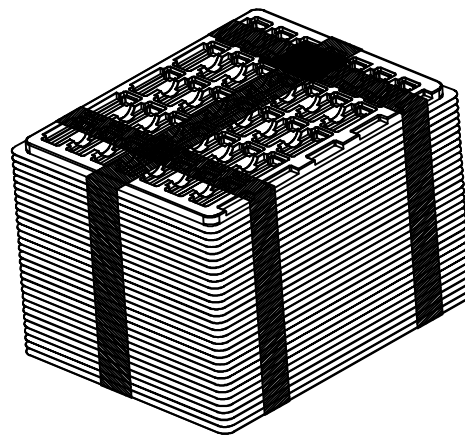
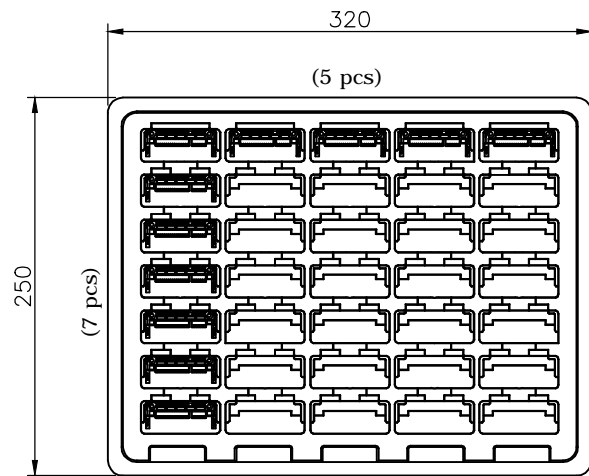
RECOMMENDED LAYOUT (TOP VIEW)
GENERAL TOLERANCE: ±0.05mm

- CONNECTOR
- CFAST CARD
- ▨ PAD

REV.	DESCRIPTION	DRAWN	DATE
	see sheet one		
PIN ASSIGNMENTS			
PIN NO.	Name/ Type	PIN NO.	Name/ Type
S1	Signal GND	PC1	CDI/CMOS Input
S2	A+/SATA Differential	PC2	GND/Device GND
S3	A-/SATA Differential	PC3	TBD
S4	Signal GND	PC4	TBD
S5	B-/SATA Differential	PC5	TBD
S6	B+/SATA Differential	PC6	TBD
S7	Signal GND	PC7	GND/Device GND
		PC8	LED1/LED Output
		PC9	LED2/LED Output
		PC10	IO1/CMOS I/O
		PC11	IO2/CMOS I/O
		PC12	IO3/CMOS I/O
		PC13	PWR/3.3V
		PC14	PWR/3.3V
		PC15	PGND/Device GND
		PC16	PGND/Device GND
		PC17	CDO/CMOS Output
3	HOLD DOWN	C2680	
			Phosphor Bronze C5191, contact area: 5u"
2	CONTACT	Gold plated; solder area: 100u" Tin plated	
			under plated: 40u" Nickel plated
1	HOUSING	LCP MG-350, UL94V-0, Black	
NO.	PART NAME	DESCRIPTION	
UNLESS OTHERWISE SPECIFIED TOLERANCE			
UNIT:	DECIMAL	LINEAR	ANGLES
	X.	±0.50	±5°
	X.X	±0.25	±3°
	X.XX	±0.12	±1°
WWW.ATTEND.COM.TW			
DRAWN	Fros	2015/09/03	DRAWN NAME:
CHECKED	Zola	2015/09/03	CFAST Card Socket, Slim Type Top mount, H=4.15mm, 5u" Gold
APPROVED	Ken	2015/09/03	PRODUCT NO. 120D-4C00
SCALE	2.5/1	SHEET 2/3	FILE NAME 120D-4C00_B_1
		SIZE A4	



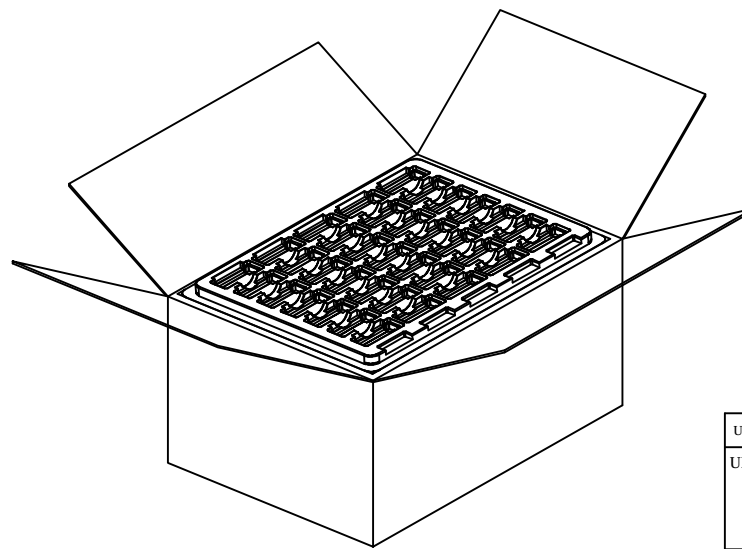
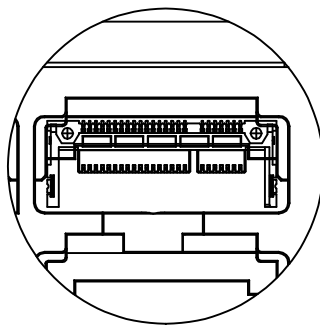
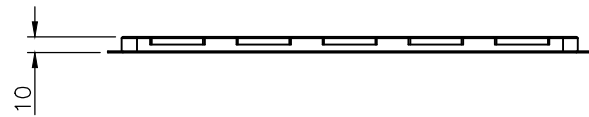
REV.	DESCRIPTION	DRAWN	DATE
	see sheet one		




PACKAGING SPECIFICATION:

Quantity:

1. 7x5= 35 Piece/Tray
2. 14+ 1 (cover)= 15Tray/Set
3. 14x35= 490Piece/Set
4. 490x2= 980Piece= 2Set/Carton



CARTON 335x265x220mm

UNLESS OTHERWISE SPECIFIED TOLERANCE				 WWW.ATTEND.COM.TW	
UNIT:	DECIMAL	LINEAR	ANGLES		
mm	X. ±0.50	±0.25	±5°		
	X.X ±0.25	±0.12	±3°		
	X.XX ±0.12		±1°		
DRAWN	Fros	2015/09/03	DRAWN NAME:		
CHECKED	Zola	2015/09/03	CFast Card Socket, Slim Type		
APPROVED	Ken	2015/09/03	Top mount, H=4.15mm, 5u" Gold		
	SCALE	SHEET	SIZE	PRODUCT NO.	120D-4C00
	1/5	3/3	A4	FILE NAME	120D-4C00_B_1