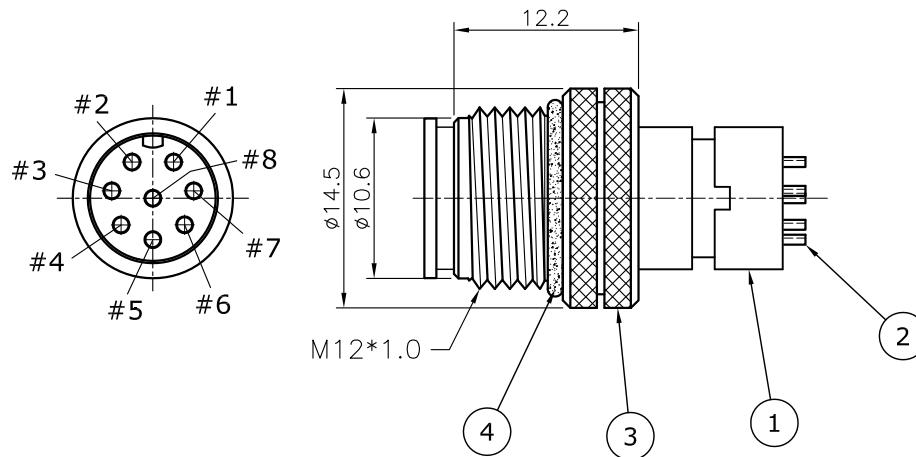
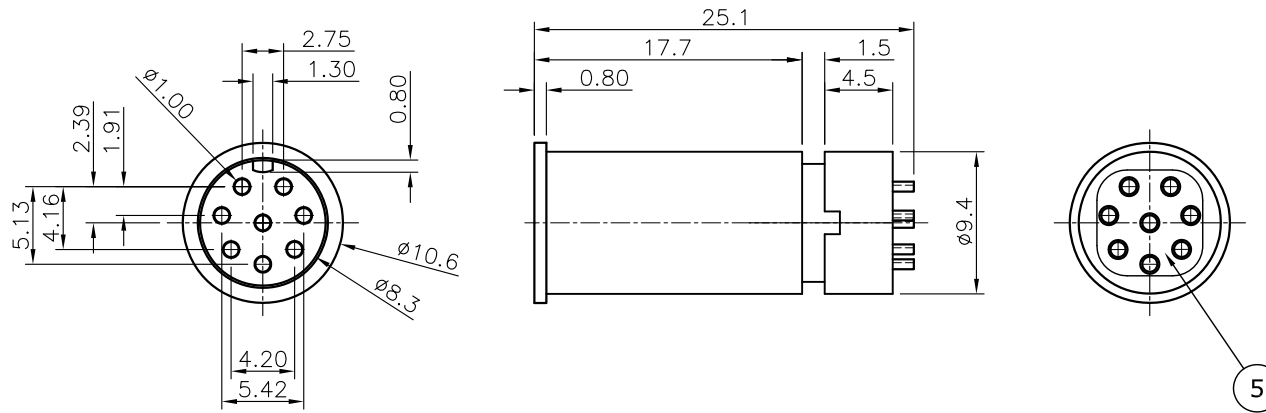



REV.	DESCRIPTION	DRAWN	DATE
1	INITIAL RELEASE	FROS	2016/05/12

**SPECIFICATION:**

1. CURRENT RATING: 5A
2. VOLTAGE: 125V
3. WATER PROOF: IPX7
4. OPERATION TEMPERATURE: -40°C TO +85°C



NO	PART NAME	DESCRIPTION
5	EPOXY	EF400A+EF400B, BLACK
4	O-RING	EPDM, BLACK
3	NUT	BRASS, NICKEL PLATED
2	CONTACT	BRASS, 10u" GOLD PLATED UNDER NICKEL
1	HOUSING	PBT, UL94V-0, BLACK

UNLESS OTHERWISE SPECIFIED TOLERANCE					
UNIT:	DECIMAL	LINEAR	ANGLES		
mm	X.	±0.50	±5°	WWW.ATTEND.COM.TW	
	X.X	±0.25	±3°		
	X.XX	±0.12	±1°		
DRAWN	Fros	2016/05/12	DRAWN NAME:		
CHECKED	Amy	2016/05/12	M12 A-Code Plug for Cable		
APPROVED	Ken	2016/05/12	8Pin Male For Overmold, 10u"		
SCALE	2/1	SHEET	1/1	SIZE	A4
FILE NAME		216A-08MO0_B_1			