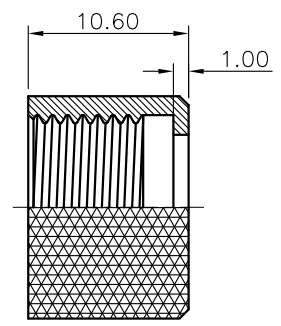
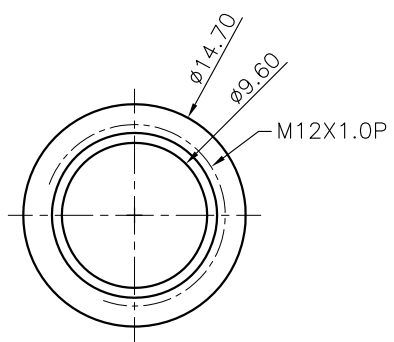
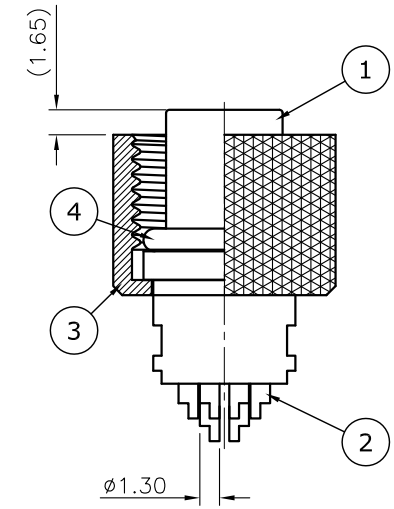
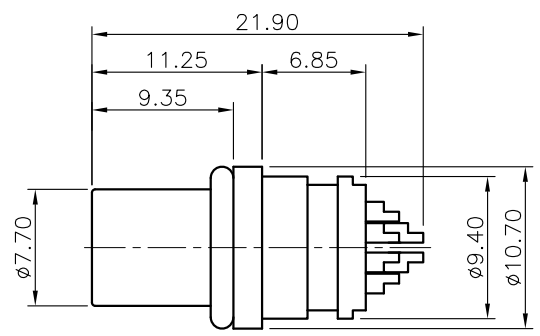
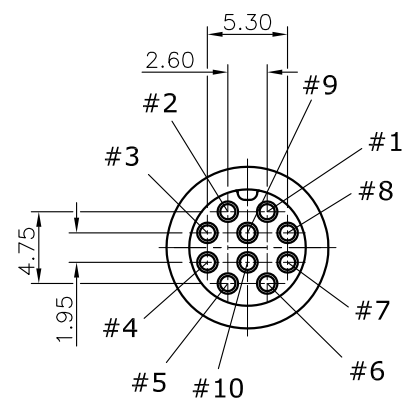


REV.	DESCRIPTION	DRAWN	DATE
0	INITIAL RELEASE	TIM	2016/08/11
1	CORRECTED	TIM	2016/09/22


**SPECIFICATION:**

1. CURRENT RATING: 5A
2. VOLTAGE: 125V
3. WATER PROOF: IPX7
4. OPERATION TEMPERATURE: -40°C TO +85°C



NUT

4	O-RING	EPDM, BLACK
3	NUT	BRASS, NICKEL PLATED
2	CONTACT	BRASS, 10u" GOLD PLATED UNDER NICKEL
1	HOUSING	PBT, UL94V-0, BLACK
NO	PART NAME	DESCRIPTION

UNLESS OTHERWISE SPECIFIED TOLERANCE					
UNIT:	DECIMAL	LINEAR	ANGLES		
mm	X.	±0.50	±5°	WWW.ATTEND.COM.TW	
	X.X	±0.25	±3°		
	X.XX	±0.12	±1°		
DRAWN	Tim	2016/08/11	DRAWN NAME:		
CHECKED	Fros	2016/08/11	M12 A- Code Plug for Cable ,		
APPROVED	Ken	2016/08/11	10Pin Female Overmold Solder Type 10u"		
SCALE	SHEET	SIZE	PRODUCT NO.	FILE NAME	
2/1	1/1	A4	216A-10FO0	216A-10FO0_B_1	