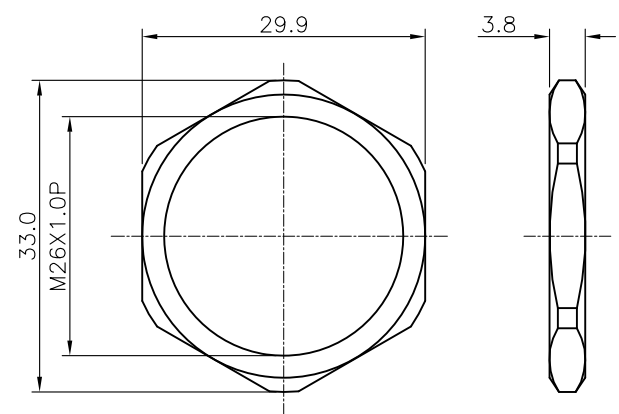
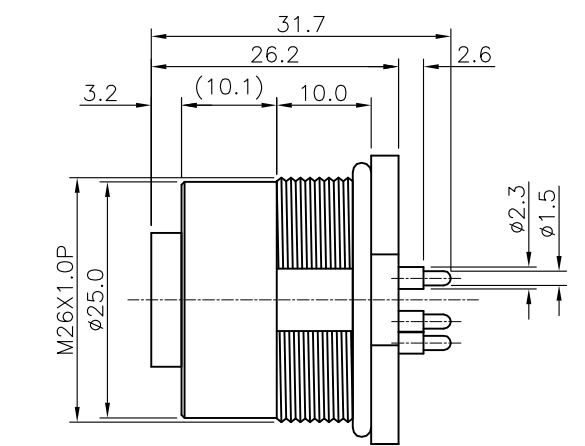
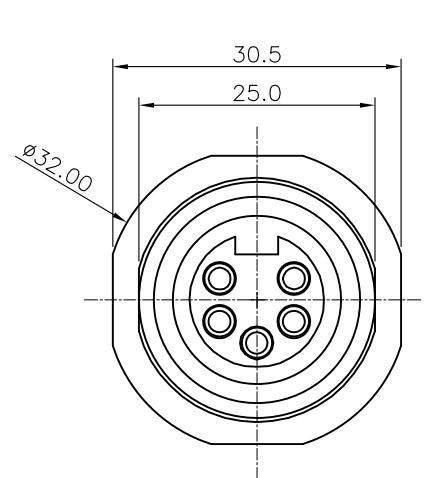
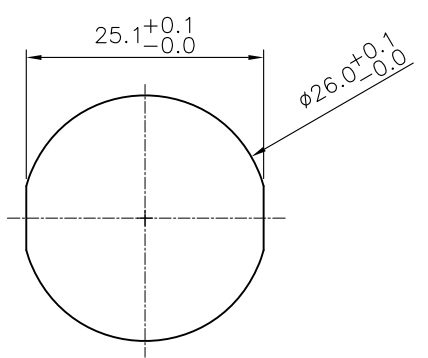


REV.	DESCRIPTION	DRAWN	DATE
1	INITIAL RELEASE	FROS	2015/06/16
2	CORRECTED PRODUCT SPEC. M26 -> M23	FROS	2015/09/17
3	CORRECTED PRODUCT SPEC., CHANGE P/N	TIM	2016/09/26

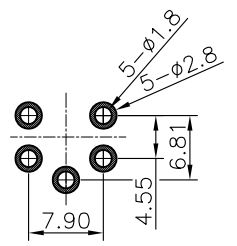


BODY

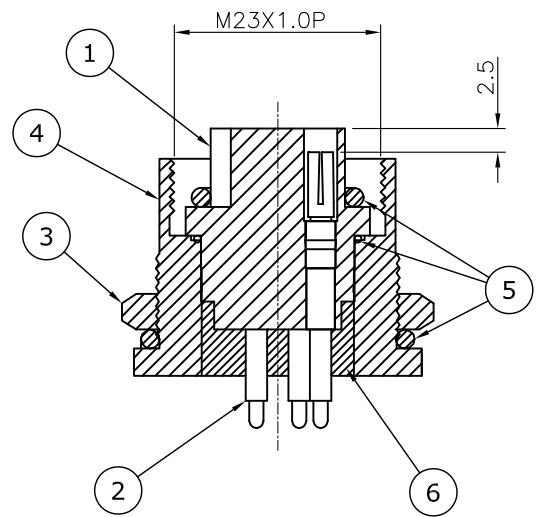
NUT



RECOMMEND PANEL CUT OUT



RECOMMEND PCB LAYOUT




SPECIFICATION:

1. CURRENT RATING: 20A
2. VOLTAGE: 125V
3. WATER PROOF: IPX7
4. OPERATION TEMPERATURE: -20°C TO +85°C

6	EPOXY BASE	EF400A & EF400B, BLACK
5	O-RING	NBR, BLACK
4	SHELL	ALUMINUM, NICKEL PLATED
3	NUT	ALUMINUM, NICKEL PLATED
2	CONTACT	BRASS, 30u" GOLD PLATED UNDER NICKEL
1	HOUSING	PBT, UL94V-0, YELLOW
NO	PART NAME	DESCRIPTION

UNLESS OTHERWISE SPECIFIED TOLERANCE

UNIT:	DECIMAL	LINEAR	ANGLES
mm	X.	±0.50	±5°
	X.X	±0.25	±3°
	X.XX	±0.12	±1°

 **ATTEND**

WWW.ATTEND.COM.TW

DRAWN	Fros	2015/06/16	DRAWN NAME:	M23 A-Code Receptacle, 5Pin	
CHECKED	Zola	2015/06/16	Female Straight PCB Type, Front Fastened		
APPROVED	Ken	2015/06/16	PRODUCT NO.	221A-05FSF	
SCALE	1.25/1	SHEET	1/1	SIZE	A4
			FILE NAME	221A-05FSF_B_3	