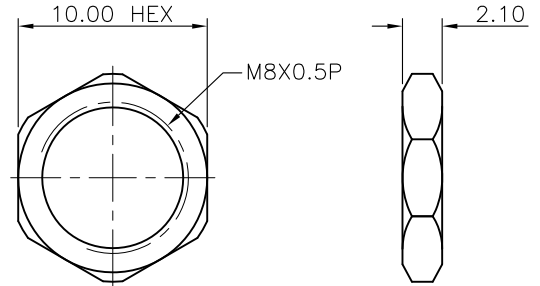


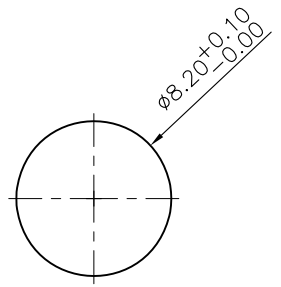
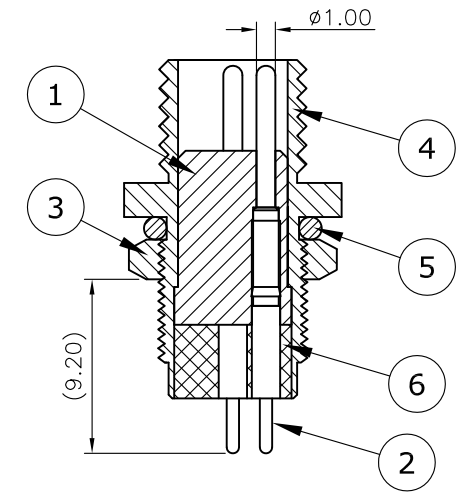
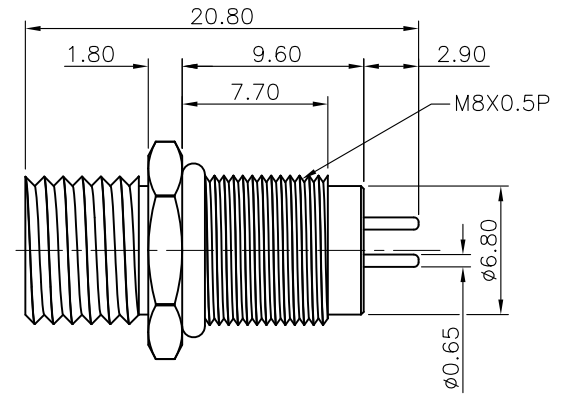
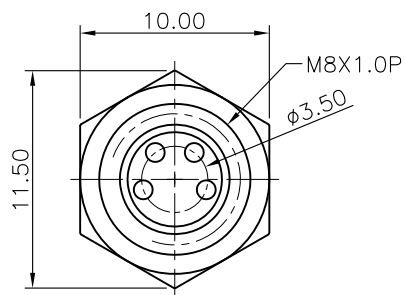
REV.	DESCRIPTION	DRAWN	DATE
1	INITIAL RELEASE	TIM	2016/08/23



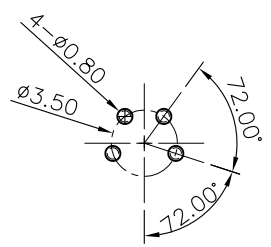
NUT

**SPECIFICATION:**

1. CURRENT RATING: 5A
2. VOLTAGE: 125V
3. WATER PROOF: IP67
4. OPERATION TEMPERATURE: -20°C TO +85°C




RECOMMEND PANEL CUT OUT



RECOMMEND PCB LAYOUT

6	EPOXY BASE	
5	O-RING	NBR, BLACK
4	SHELL	BRASS, NICKEL PLATED
3	NUT	BRASS, NICKEL PLATED
2	CONTACT	BRASS, 10u" GOLD PLATED UNDER NICKEL
1	HOUSING	PBT, BLACK
NO	PART NAME	DESCRIPTION

UNLESS OTHERWISE SPECIFIED TOLERANCE					
UNIT:	DECIMAL	LINEAR	ANGLES		
mm	X.	±0.50	±5°	WWW.ATTEND.COM.TW	
	X.X	±0.25	±3°		
	X.XX	±0.12	±1°		
DRAWN	Tim	2016/08/23	DRAWN NAME:		
CHECKED	Fros	2016/08/23	M8 A-Code Receptacle, 4Pin		
APPROVED	Ken	2016/08/23	PRODUCT NO.	219A-04MSR	
SCALE	SHEET	SIZE	FILE NAME	219A-04MSR_B_1	
2.5/1	1/1	A4			