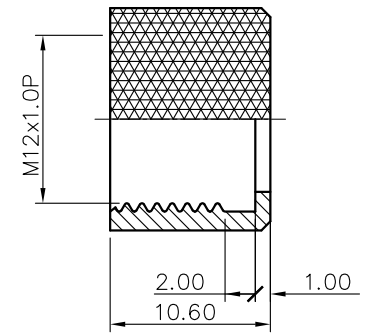
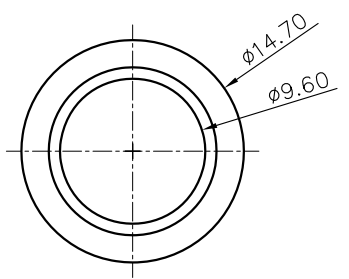
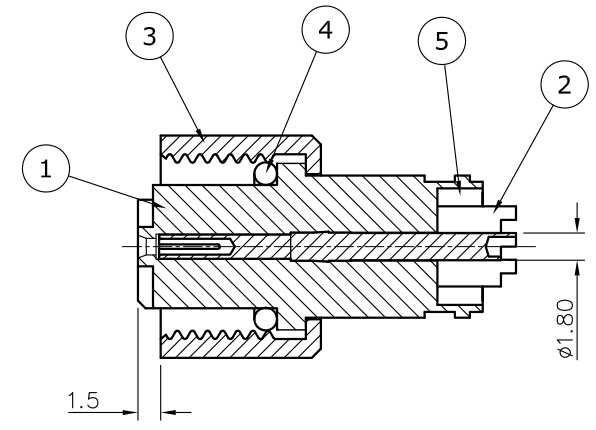
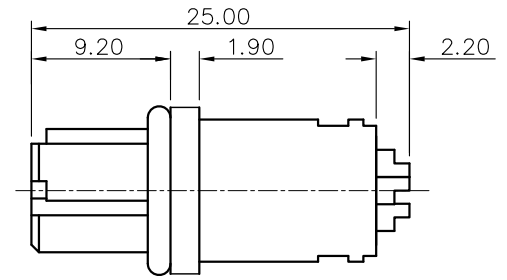
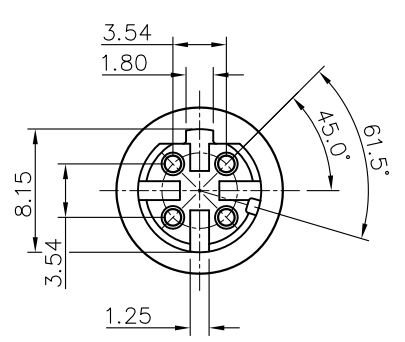


REV.	DESCRIPTION	DRAWN	DATE
1	INITIAL RELEASE	FROS	2016/10/17

**SPECIFICATION:**

1. Current Rating: 5A per pin
2. Voltage Rating: 125V
3. Water Proof: IPX7
4. Operating temperature range: -40°C~+85°C



5	EPOXY BASE	EF400A&EF400B, Black
4	O-RING	EPDM
3	NUT	Brass, Nickel plating
2	CONTACT	BRASS, 10u" Gold plating over Nickel
1	HOUSING	TPU, Black

NO.		PART NAME	DESCRIPTION
UNLESS OTHERWISE SPECIFIED TOLERANCE			
UNIT:	DECIMAL	LINEAR	ANGLES
	mm	X, X.X	±0.50 ±0.25 ±3°
	X, XX	±0.12	±1°
WWW.ATTEND.COM.TW			
DRAWN	Fros	2016/10/17	DRAWN NAME:
CHECKED	Tim	2016/10/17	M12 D Code Plug for Cable
APPROVED	Ken	2016/10/17	4Pin Female For Overmold with Cable
SCALE	SHEET	SIZE	PRODUCT NO.
2/1	1/1	A4	216D-04FO0
FILE NAME			216D-04FO0_B_1

