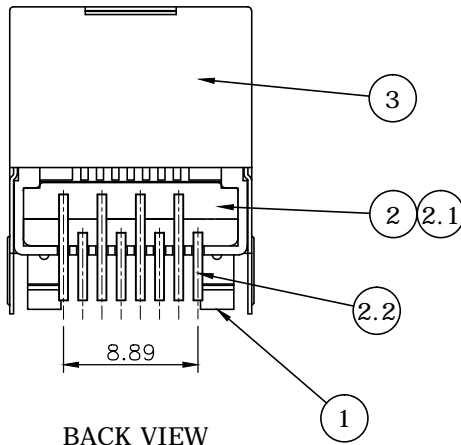
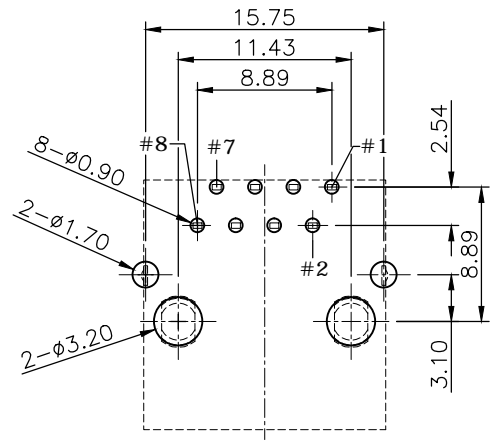
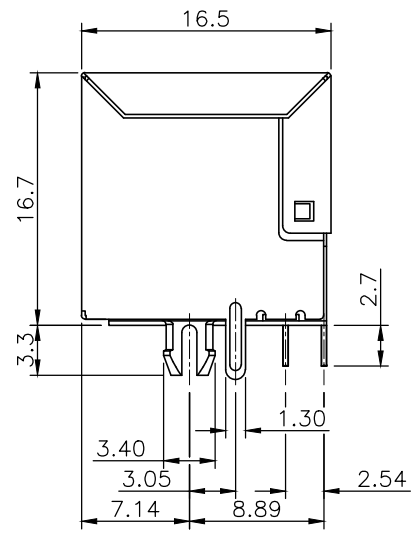
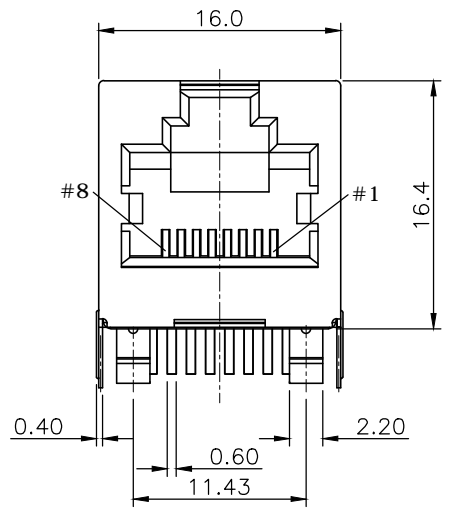


ATTEND 5481  
210D-11CB1

MARKING:  
ATTEND: Logo  
5481: Date Code (YWWDD)  
210D-11CB1: Part Number

REV.	DESCRIPTION	DRAWN	DATE
1	INITIAL RELEASE	FROS	2015/12/07
2	210D-11CB1 REVISION TO 210D-11CB1	FROS	2016/11/01

SPECIFICATION:  
1. ELECTRICAL  
1.1 Current Rating: 1.5A  
1.2 Voltage Rating: 125VAC  
1.3 Contact Resistance: 35mΩ  
1.4 Insulation Resistance: 1,000MΩ  
1.5 Dielectric Withstanding Voltage: 1,000VAC  
2. MECHANICAL  
2.1 Durability: 750 Cycle  
2.2 PCB Retention Pre-Solder: 1LB min.  
2.3 PCB Retention Post-Solder: 10LBS min.  
3. ENVIRONMENTAL  
3.1 Operating temperature range: -40°C~+85°C  
3.2 Storage temperature range: -40°C~+85°C  
Mates with modular plug conforming to FCC part 68, subpart F.



210D - 11 C B 1  
Cat 6 RJ45 Module Jack  
Front Entry, Metal Shield w/o EMI Tab  
5u" Gold Plating  
1x1 Port

RECOMMENDED LAYOUT (TOP VIEW)  
GENERAL TOLERANCE: ±0.1

BACK VIEW

3	SHELL	Brass C2680 0.2t, 30u"~50u" Nickel plating
2.2	CONTACT	Phosphor Bronze C5210 0.35t, 5u" Gold plating over 50u" Nickel
2.1	INSULATOR	Zytel HTNFR52, UL94V-0, Black
2	INSERT	Assembly
1	HOUSING	Zytel HTNFR52, UL94V-0, Black
NO.	PART NAME	DESCRIPTION

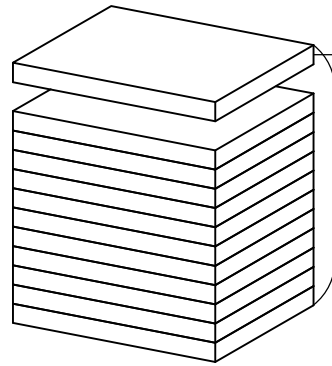
UNLESS OTHERWISE SPECIFIED TOLERANCE			
UNIT:	DECIMAL	LINEAR	ANGLES
mm	X.	±0.50	±5°
	X.X	±0.25	±3°
	X.XX	±0.12	±1°



WWW.ATTEND.COM.TW

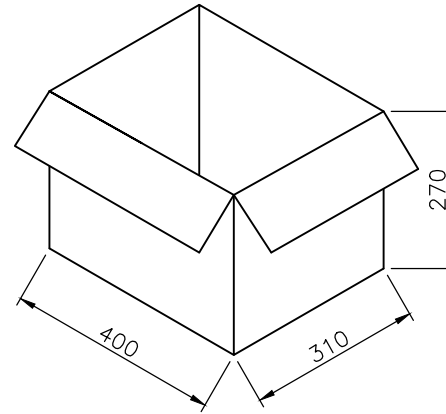
DRAWN	Fros	2015/12/07	DRAWN NAME:	RJ45 CAT.6 SIDE ENTRY JACK, METAL SHIELD W/O EMI TAB, STP, 5U" GOLD	
CHECKED	Amy	2015/12/07	PRODUCT NO.	210D-11CB1	
APPROVED	Ken	2015/12/07	FILE NAME	210D-11CB1_B_2	
SCALE	2.0	SHEET	1/2	SIZE	A4

REV.	DESCRIPTION	DRAWN	DATE
	SEE SHEET ONE		

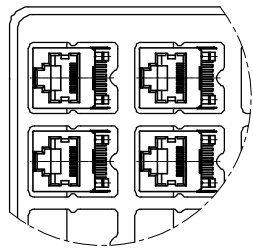


Tray with Cover = 1 Layer  
= 8x10pcs = 80pcs

12 Layer = 1 Column  
= 80pcsx12Layer = 960pcs

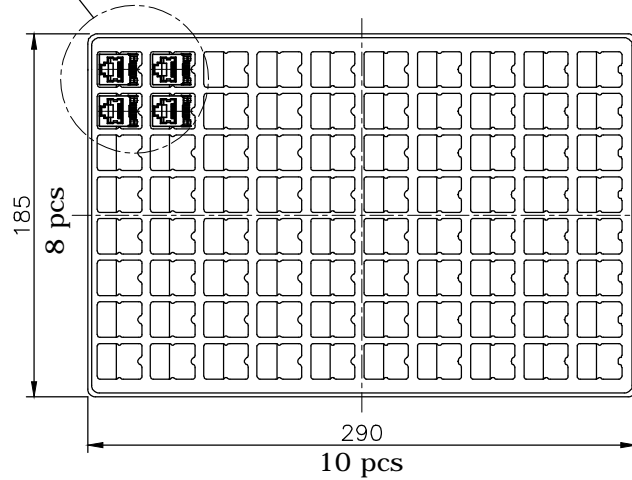



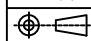
1 Carton = 2 Column  
= 960pcsx2 = 1920pcs



Detail A

See A



UNLESS OTHERWISE SPECIFIED TOLERANCE				 WWW.ATTEND.COM.TW
UNIT:	DECIMAL	LINEAR	ANGLES	
mm	X.	±0.50	±5°	
	X.X	±0.25	±3°	
	X.XX	±0.12	±1°	
DRAWN	Fros	2015/12/07	DRAWN NAME:	
CHECKED	Amy	2015/12/07	RJ45 CAT.6 SIDE ENTRY JACK, METAL SHIELD W/O EMI TAB, STP, 5U" GOLD	
APPROVED	Ken	2015/12/07	PRODUCT NO. 210D-11CB1	
	SCALE 1/4	SHEET 2/2	SIZE A4	FILE NAME 210D-11CB1_B_2