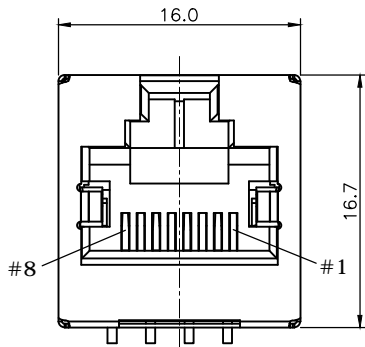


REV.	DESCRIPTION	DRAWN	DATE
1	INITIAL RELEASE	FROS	2015/12/14
2	210D-11C3B REVISION TO 210D-11CB3	FROS	2016/11/01

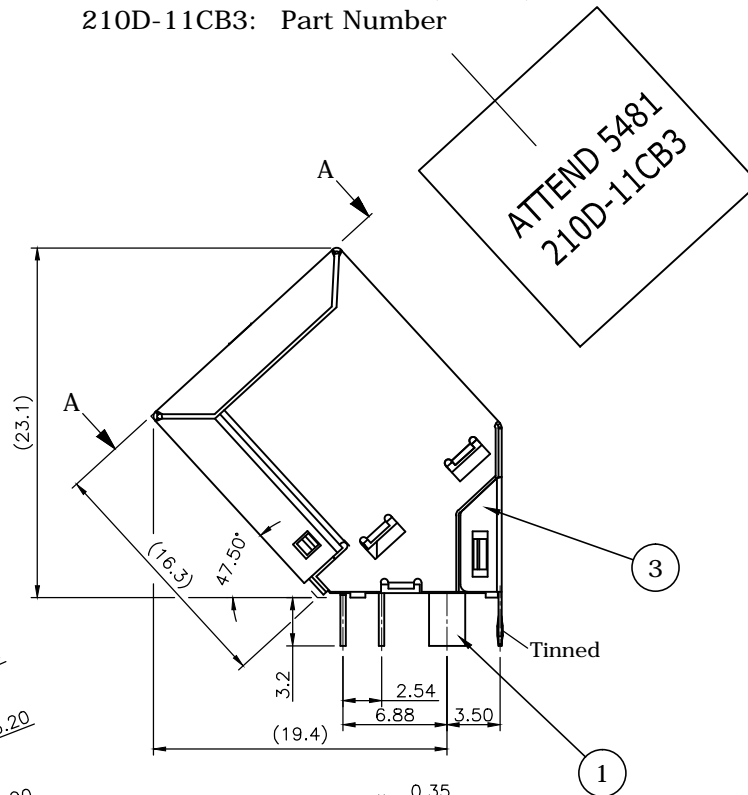
MARKING:
ATTEND: Logo
5481: Date Code (YWWD)
210D-11CB3: Part Number

SPECIFICATION:

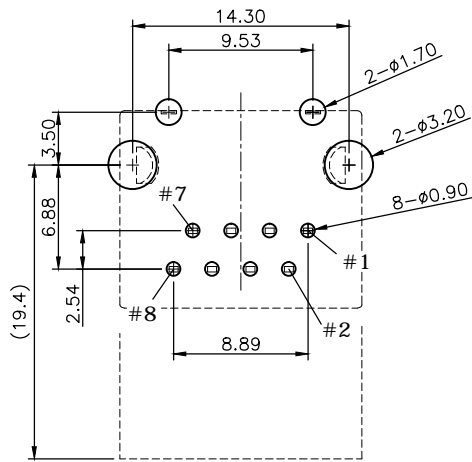
1. ELECTRICAL
 - 1.1 Current Rating: 1.5A
 - 1.2 Voltage Rating: 125VAC
 - 1.3 Contact Resistance: 35mΩ
 - 1.4 Insulation Resistance: 1,000MΩ
 - 1.5 Dielectric Withstanding Voltage: 1,000VAC
 2. MECHANICAL
 - 2.1 Durability: 750 Cycle
 - 2.2 PCB Retention Pre-Solder: 1LB min.
 - 2.3 PCB Retention Post-Solder: 10LBS min.
 3. ENVIRONMENTAL
 - 3.1 Operating temperature range: -40°C~+85°C
 - 3.2 Storage temperature range: -40°C~+85°C
- Mates with modular plug conforming to FCC part 68, subpart F.



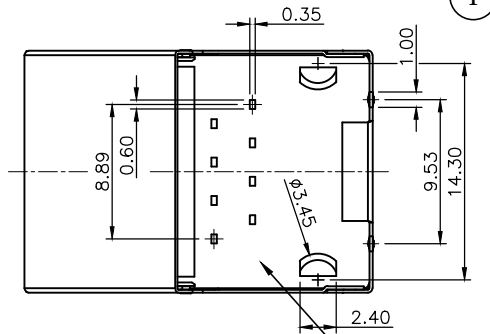
A-A VIEW



210D - 11 C B 3
 Cat 6 RJ45
 Module Jack
 47.5 Degree Entry,
 Metal Shield
 w/o EMI Tab
 5u" Gold Plating
 1x1 Port

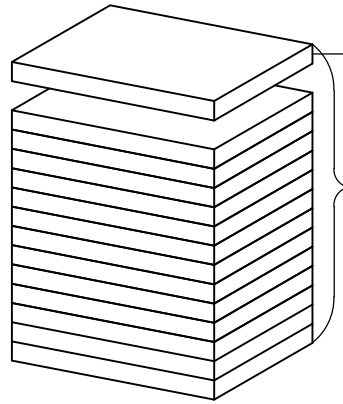


RECOMMENDED LAYOUT (TOP VIEW)
GENERAL TOLERANCE: ±0.1



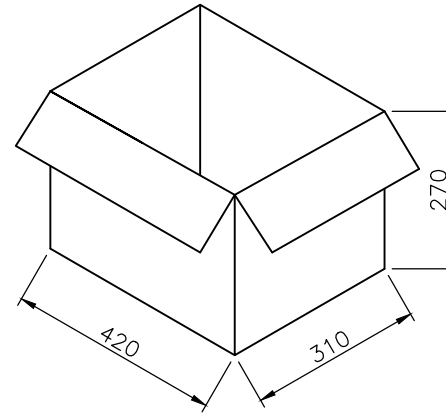
3	SHELL	Brass C2680 0.2t, 30u"~50u" Nickel plating	
2.2	CONTACT	Phosphor Bronze C5210 0.35t, 5u" selective Gold plating over 50u" Nickel	
2.1	INSULATOR	Zytel HTNFR52, UL94V-0, Black	
2	INSERT	Assembly	
1	HOUSING	Zytel HTNFR52, UL94V-0, Black	
NO.	PART NAME	DESCRIPTION	
UNLESS OTHERWISE SPECIFIED TOLERANCE			
UNIT:	DECIMAL	LINEAR	ANGLES
	mm	X. ±0.50	±5°
		X.X ±0.25	±3°
		X.XX ±0.12	±1°
DRAWN Fros 2015/12/14			 WWW.ATTEND.COM.TW DRAWN NAME: RJ45 CAT.6 47.5° ENTRY JACK, METAL SHIELD W/O EMI TAB, STP, 5U" GOLD PRODUCT NO. 210D-11CB3 FILE NAME 210D-11CB3_B_2
CHECKED Amy 2015/12/14			
APPROVED Ken 2015/12/14			
SCALE 2.0	SHEET 1/2	SIZE A4	
DRAWN NAME: RJ45 CAT.6 47.5° ENTRY JACK, METAL SHIELD W/O EMI TAB, STP, 5U" GOLD			

REV.	DESCRIPTION	DRAWN	DATE
	see sheet one		

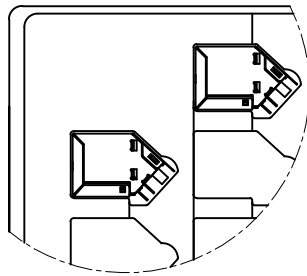


Tray with Cover = 1 Layer
= 6x2+8x6 = 60pcs

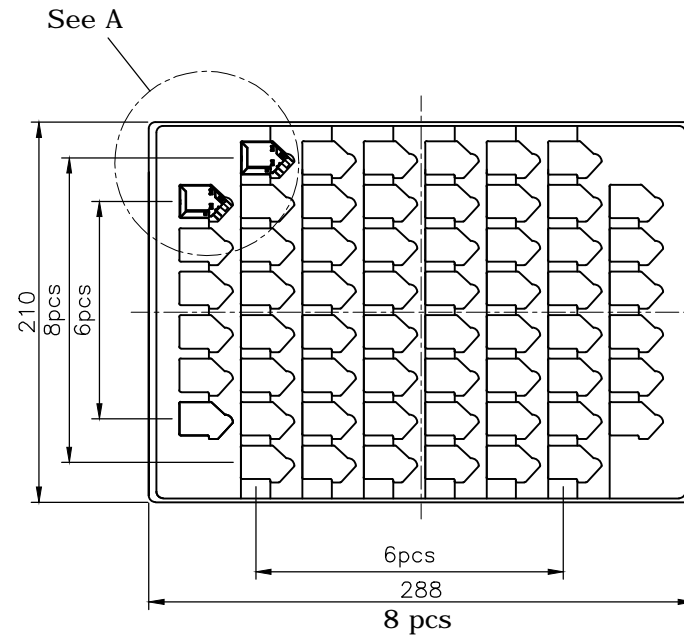
14 Layer = 1 Column
= 60pcsx14Layer = 840pcs


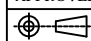


1 Carton = 2 Column
= 840pcsx2 = 1680pcs



Detail A



UNLESS OTHERWISE SPECIFIED TOLERANCE				 WWW.ATTEND.COM.TW	
UNIT:	DECIMAL	LINEAR	ANGLES		
mm	X.	±0.50	±5°		
	X.X	±0.25	±3°		
	X.XX	±0.12	±1°		
DRAWN	Fros	2015/12/14	DRAWN NAME:		
CHECKED	Amy	2015/12/14	RJ45 CAT.6 47.5° ENTRY JACK, METAL SHIELD W/O EMI TAB, STP, 5U" GOLD		
APPROVED	Ken	2015/12/14	PRODUCT NO.	210D-11CB3	
 SCALE 1/4		SHEET 2/2	SIZE A4	FILE NAME	210D-11CB3_B_2