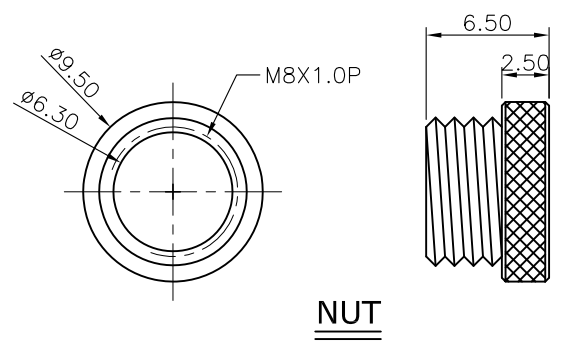
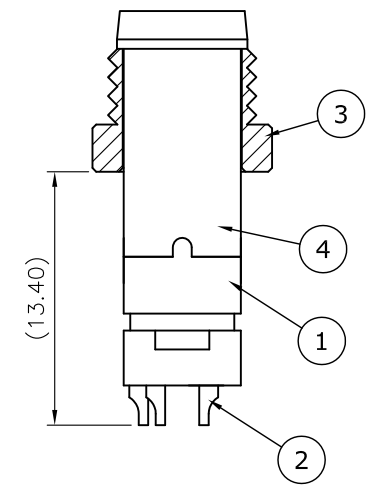
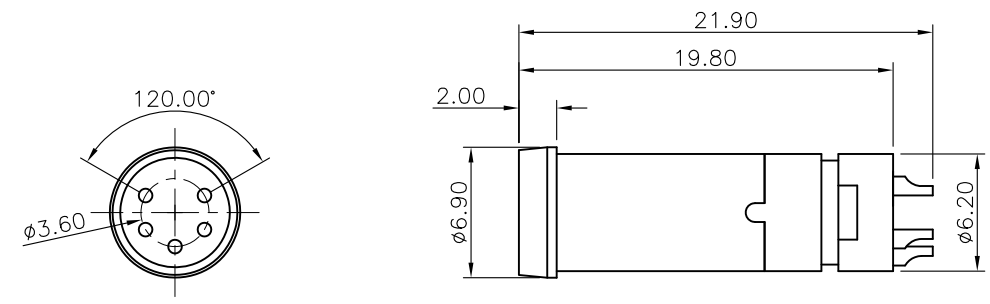




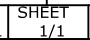
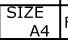
REV.	DESCRIPTION	DRAWN	DATE
1	INITIAL RELEASE	TIM	2017/04/28

SPECIFICATION:

1. CURRENT RATING: 3A
2. VOLTAGE: 125V
3. WATER PROOF: IP67
4. OPERATION TEMPERATURE: -40°C TO +85°C



NO	PART NAME	DESCRIPTION
4	SHELL	Brass, Nickel plating
3	NUT	Brass, Nickel plating
2	CONTACT	Brass, Gold plating over Nickel
1	HOUSING	PBT, UL94V-0, Black

UNLESS OTHERWISE SPECIFIED TOLERANCE					
UNIT:	DECIMAL	LINEAR	ANGLES		
mm	X.	±0.50	±5°	WWW.ATTEND.COM.TW	
	X.X	±0.25	±3°		
	X.XX	±0.12	±1°		
DRAWN	Tim	2017/04/28	DRAWN NAME: M8 A-Code Plug for Cable 5Pin Male For Overmold with Cable		
CHECKED	Fros	2017/04/28	PRODUCT NO. 219A-05M00		
APPROVED	Ken	2017/04/28	FILE NAME 219A-05M00_B_1		
 SCALE 2.5/1		 SHEET 1/1		 SIZE A4	