

PRODUCT NO.	ITEM	PART NAME	Q'TY	MATERIAL	PLATING
119A-80A00-R02	1	BODY	1	LCP	
	2	CONTACT	52	PHOSPHOR BRONZE	GOLD 1u"
	3	HOLD DOWN	2	BRASS	TIN 100u"

Material
 Plastic Body : LCP, Color Black.
 Contact : Phosphor Bronze Alloy (C5191R-H)
 Contacts Plating: Contact area: Gold Plated
 Solder area: Tin

Hold Down : Brass(C2680R-H)
 Hold Down Plating: Tin

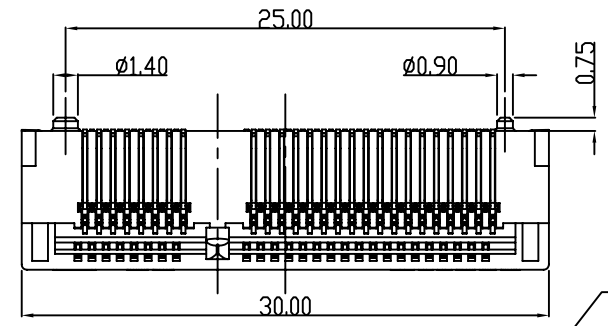
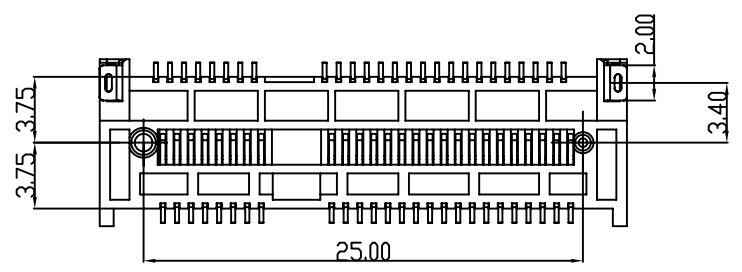
Electrical:
 Rating Current: 0.5A(Max.)/(1PIN)
 Rating Voltage: 50V AC
 Contact Resistance: 30 mΩ (Max)
 Insulation Resistance: 500 MΩ (Min.)

Mechanical:
 Contact Normal Force: 50 gf per pin (Min.)
 Durability: 100 mating and unmating cycles

Environmental:
 Operating Temperature: -40°C to +90°C
 Storage Temperature: -40°C to +90°C
 Solder ability: 260±5°C

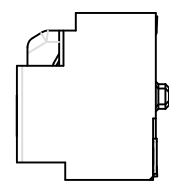
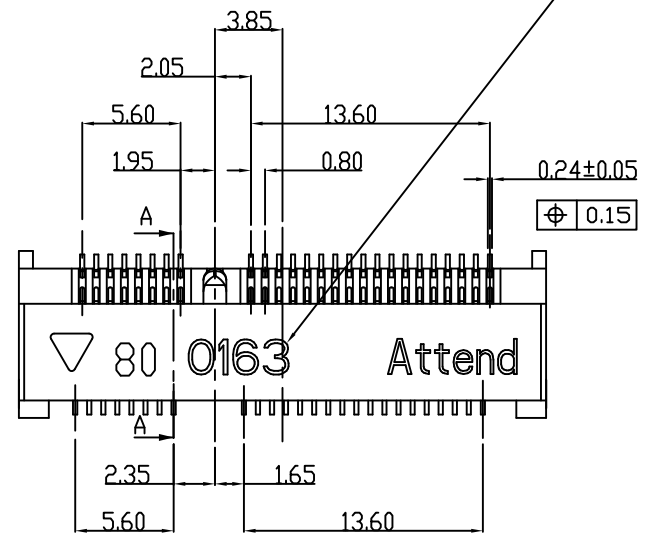
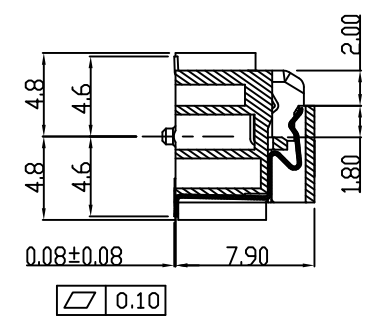
PRODUCT NUMBER:
 119A-80 A 0 0-R02
 1 2 3 4

- 1.Stand off
80: 8.0mm
- 2.Contact plating
A:gold flash
- 3.Color
0:black
- 4.RoHS



DATE CODE: 0163 (YVWD)
 Y: 0 YEAR(2010)
 WW:16 WEEK(01~52)
 D: 3 DAY(01~07)

SECTION A-A



UNLESS OTHERWISE SPECIFIED TOLERANCE		
ANGLES	ANG.	±5°
LINEAR	0.	±0.3
	0.0	±0.25
	0.00	±0.20
SCALE	AS SHOWN	UNIT: mm
DRAWN	Willis	2012/08/03
CHECKED	Angel	2012/08/03
APPROVED	Ken	2012/08/03



www.attend.com.tw

DRAWN NAME:
Mini PCI Express Socket H:8.0mm

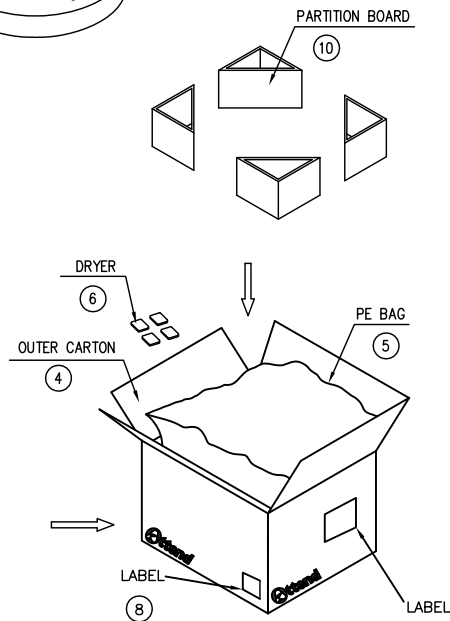
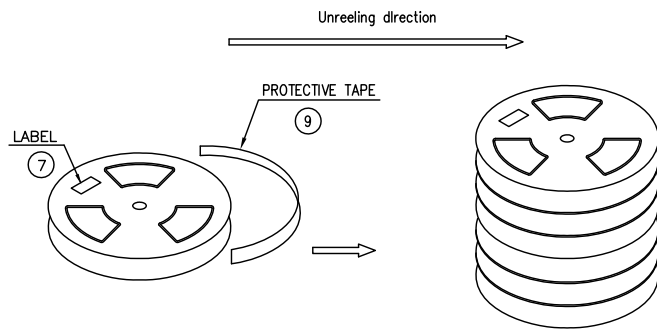
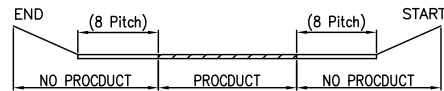
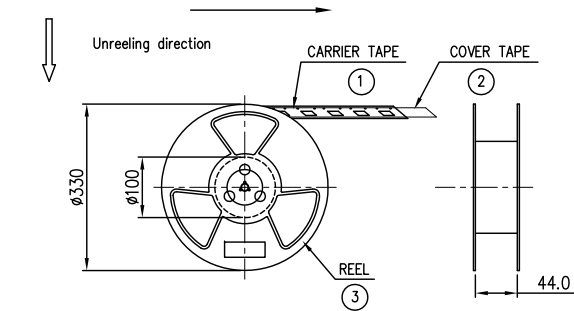
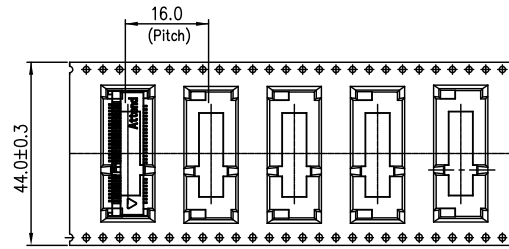
PRODUCT NO. 119A-80A00-R02
 FILE NAME 119A-80A00-R02_B_4

REV.	DESCRIPTION	DATE	REV.	DESCRIPTION	DATE
1					
2					
3					
4					
5					
6					
7					

- △ Revise:
- △ Revise:
- △ Revise: Date Code

2010/04/30

SIZE A4 REV. 1.0



NOTES:
1. PACKING STYLE:

119A-40A00-R02
700 PCS/REEL
4200 PCS/OUTER CARTON

119A-56A00-R02
550 PCS/REEL
3300 PCS/OUTER CARTON

119A-80A00-R02
400 PCS/REEL
2400 PCS/OUTER CARTON

① ②
119A-92A00-R02
300 PCS/REEL
1800 PCS/OUTER CARTON

2. MATERIAL CARRIER TAPE: PS BLACK
COVER TAPE: PET FILM
REEL: PLASTIC

3. PEEL STRENGTH OF COVER TAPE: 20-80g (PEEL SPEED 300mm/MINUTE).

10	PARTITION BOARD	4	PCS	
9	PROTECTIVE TAPE	3	PCS	
8	LABEL	1	PCS	
7	LABEL	6	PCS	
6	DRYER	4	BAG	
5	PE BAG	1	PCS	L850*W750mm
4	OUTER CARTON	1	PCS	
3	REEL	6	SET	φ330*100mm, W=44mm
2	COVER TAPE	SEE NOTES	6	PCS
1	CARRIER TAPE			W=37.5mm
				W=44mm, T=0.35mm
NO	PACKING NAME		PCS/R/R/BOX	UNIT
			PACKING QTY	NOTE

UNLESS OTHERWISE SPECIFIED TOLERANCE

ANGLES	ANG.	±5°
LINEAR	0.	±0.3
	0.0	±0.25
	0.00	±0.20
SCALE	AS SHOWN	UNIT: mm
DRAWN	Willis	2012/08/03
CHECKED	Angel	2012/08/03
APPROVED	Ken	2012/08/03



www.attend.com.tw

DRAWN NAME:
Mini PCI Express Socket

PRODUCT NO. 119A-XXA00-R02

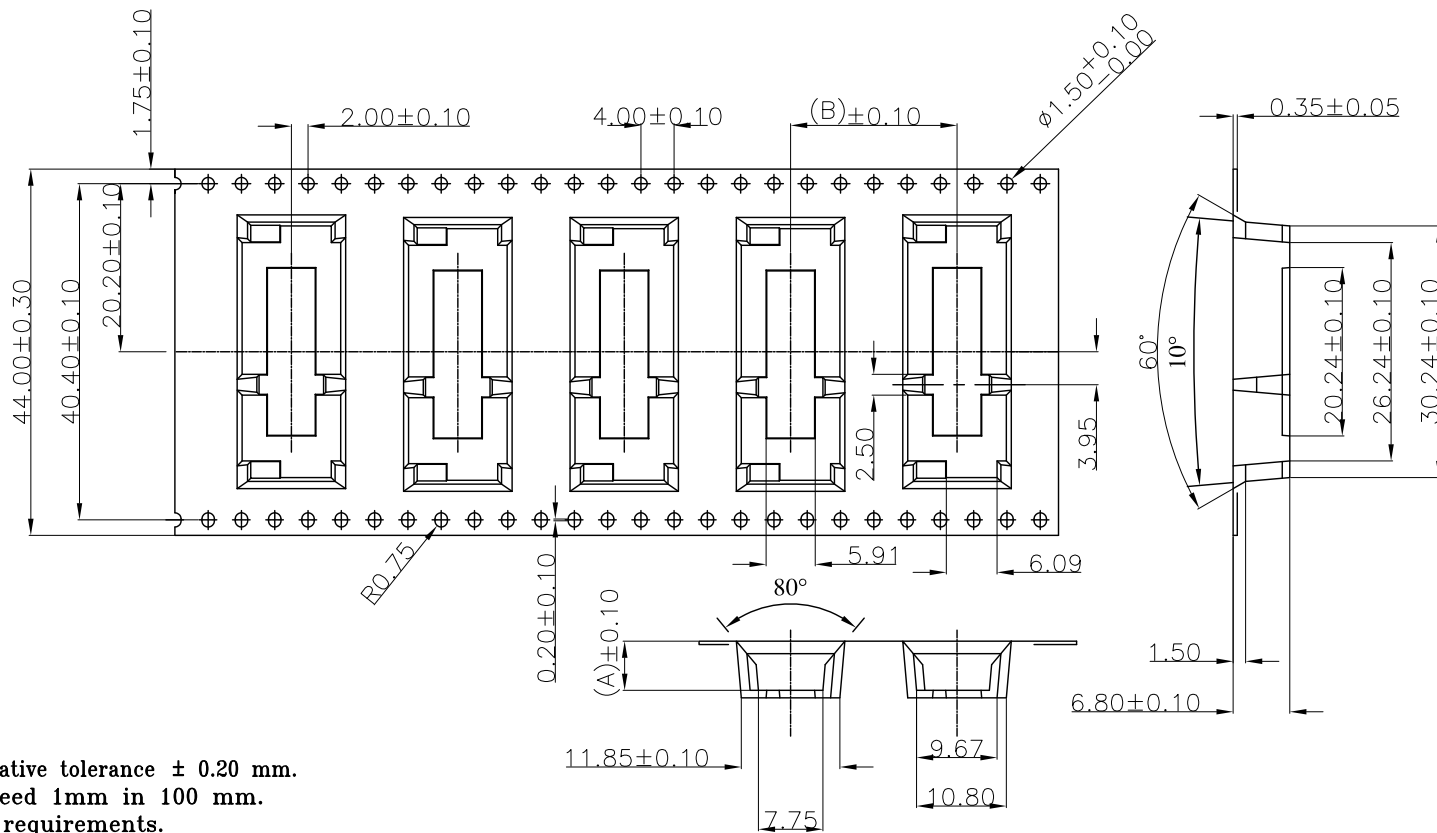
REV.	DESCRIPTION	DATE	REV.	DESCRIPTION	DATE
③	Revise:				
②	Revise: NOTE 9.2H 300PCS/REEL	2010/04/30			
①	Revise: NOTE 9.2H 350PCS/REEL	2010/01/21			



SIZE A4

REV. 1.0

FILE NAME 119A-XXA00-R02_D_4



NOTES:

1. 10 sprocket hole pitch cumulative tolerance ± 0.20 mm.
2. Carrier camber not to exceed 1mm in 100 mm.
3. All scope meet EIA-481-C requirements.
4. Material: Black Anti-static Polystyrene.
5. Thickness: 0.35 ± 0.05 mm.

DIM.	119A-40A00-R02	119A-52A00-R02	119A-56A00-R02	119A-80A00-R02	119A-92A00-R02
A	4.30	5.50	5.90	8.30	9.50
B	16.00	16.00	16.00	16.00	20.00

UNLESS OTHERWISE SPECIFIED TOLERANCE		
ANGLES	ANG.	$\pm 5^\circ$
LINEAR	0.	± 0.3
	0.0	± 0.25
	0.00	± 0.20
SCALE	AS SHOWN	UNIT: mm
DRAWN	Willis	2012/08/03
CHECKED	Angel	2012/08/03
APPROVED	Ken	2012/08/03



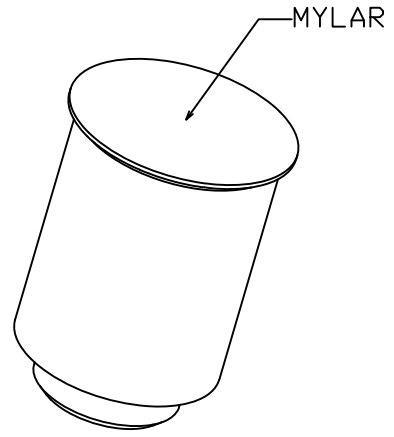
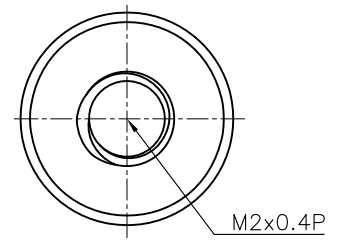
www.attend.com.tw

Revise:				
Revise: NOTE 9.2H 300PCS/REEL		2010/04/30		
Revise: NOTE 9.2H 350PCS/REEL		2010/01/21		

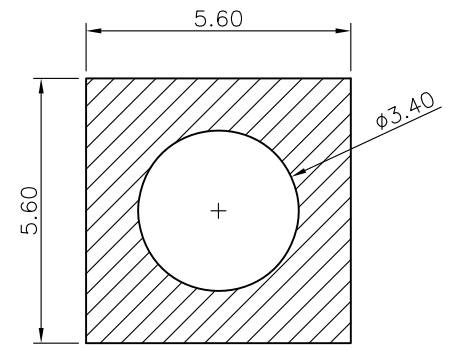
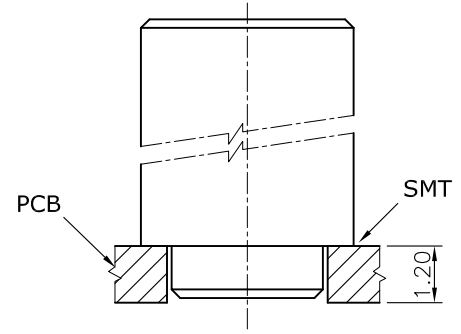
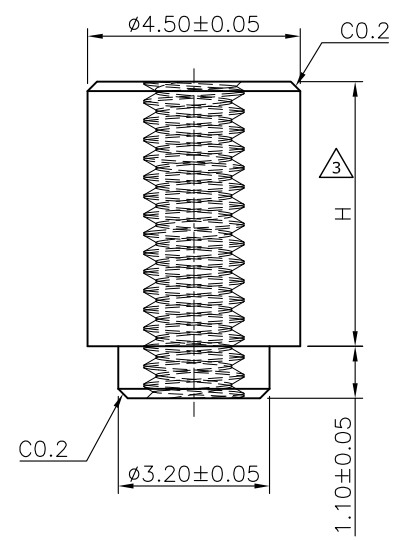
DRAWN NAME:		Mini PCI Express Socket	
PRODUCT NO.	119A-XXA00-R02		

REV.	DESCRIPTION	DATE	REV.	DESCRIPTION	DATE	SIZE	REV.	FILE NAME
1			4			A4	1.0	119A-XXA00-R02_D_4

REV.	DESCRIPTION	DRAWN	DATE
1	INITIAL RELEASE	Willis	2012/12/10
2	Revised frame	Willis	2013/01/25
3	Revised frame & p/n table	FROS	2017/06/14




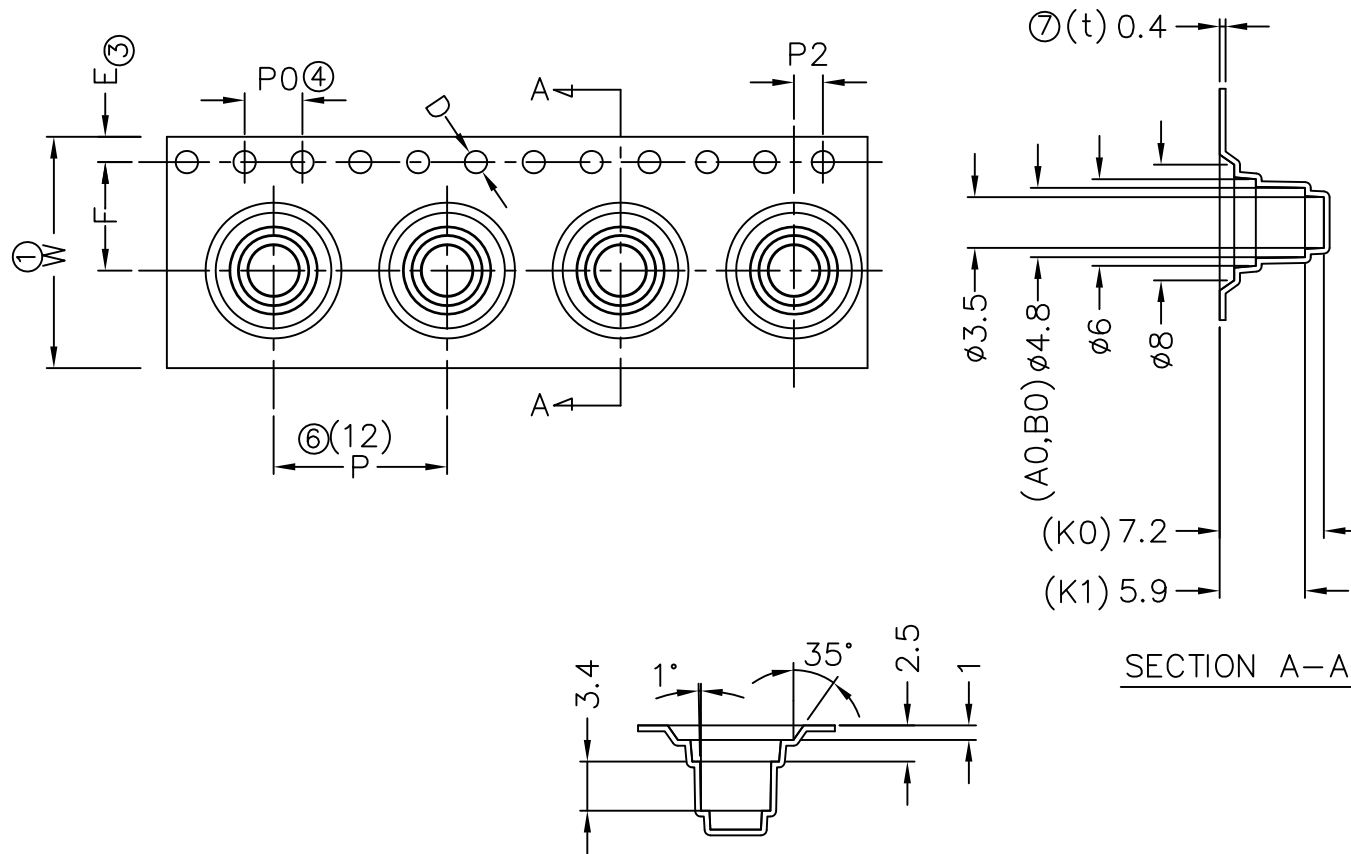
NOTE:
 1.MATERIAL: Copper Alloy
 2.Plating: Sn.



PCB Recommend Layout Pattern

NUT P/N	"H"±0.1	Mini PCI E P/N
119A-NUT-40-R02	1.6	119A-40A00-R02
119A-NUT-52-R02	2.8	119A-52A00-R02
119A-NUT-56-R02	3.2	119A-56A00-R02
119A-NUT-80-R02	5.6	119A-80A00-R02
119A-NUT-92-R02	6.8	119A-92A00-R02

UNLESS OTHERWISE SPECIFIED TOLERANCE				 WWW.ATTEND.COM.TW	
UNIT:	DECIMAL	LINEAR	ANGLES		
mm	X.	±0.50	±5°	DRAWN NAME: Mini PCI Express Stand Off	
	X.X	±0.25	±3°		
	X.XX	±0.12	±1°		
DRAWN	Willis	2012/12/10	DRAWN NAME: Mini PCI Express Stand Off		
CHECKED	Angel	2012/12/10	DRAWN NAME: Mini PCI Express Stand Off		
APPROVED	Ken	2012/12/10	PRODUCT NO.	see p/n table	
⊕	SCALE 6.25	SHEET 1/1	SIZE A4	FILE NAME	119A-NUT-XX-R02_B_3



1. Material: Black Anti-static Polystyrene ,T=0.4mm
2. Component loaded per 13" reel : 800 pcs. (Core 4")

ITEM	W	A ₀	B ₀	K ₀	K ₁	P	F	E	D	D ₁	P ₀	P ₂
DIM	16.0 ^{+0.30} _{-0.30}	4.80 ^{+0.20} _{-0.10}	4.80 ^{+0.20} _{-0.10}	7.20 ^{+0.20} _{-0.10}	5.90 ^{+0.20} _{-0.10}	12.0 ^{+0.10} _{-0.10}	7.50 ^{+0.10} _{-0.10}	1.75 ^{+0.10} _{-0.10}	1.50 ^{+0.10} _{-0.00}	0.00 ^{+0.25} _{-0.00}	4.00 ^{+0.10} _{-0.10}	2.00 ^{+0.10} _{-0.10}

UNLESS OTHERWISE SPECIFIED TOLERANCE		
ANGLES	ANG.	±5°
LINEAR	0.	±0.3
	0.0	±0.25
	0.00	±0.20
SCALE	AS SHOWN	UNIT: mm
DRAWN	Willis	2012/12/10
CHECKED	Angel	2012/12/10
APPROVED	Ken	2012/12/10



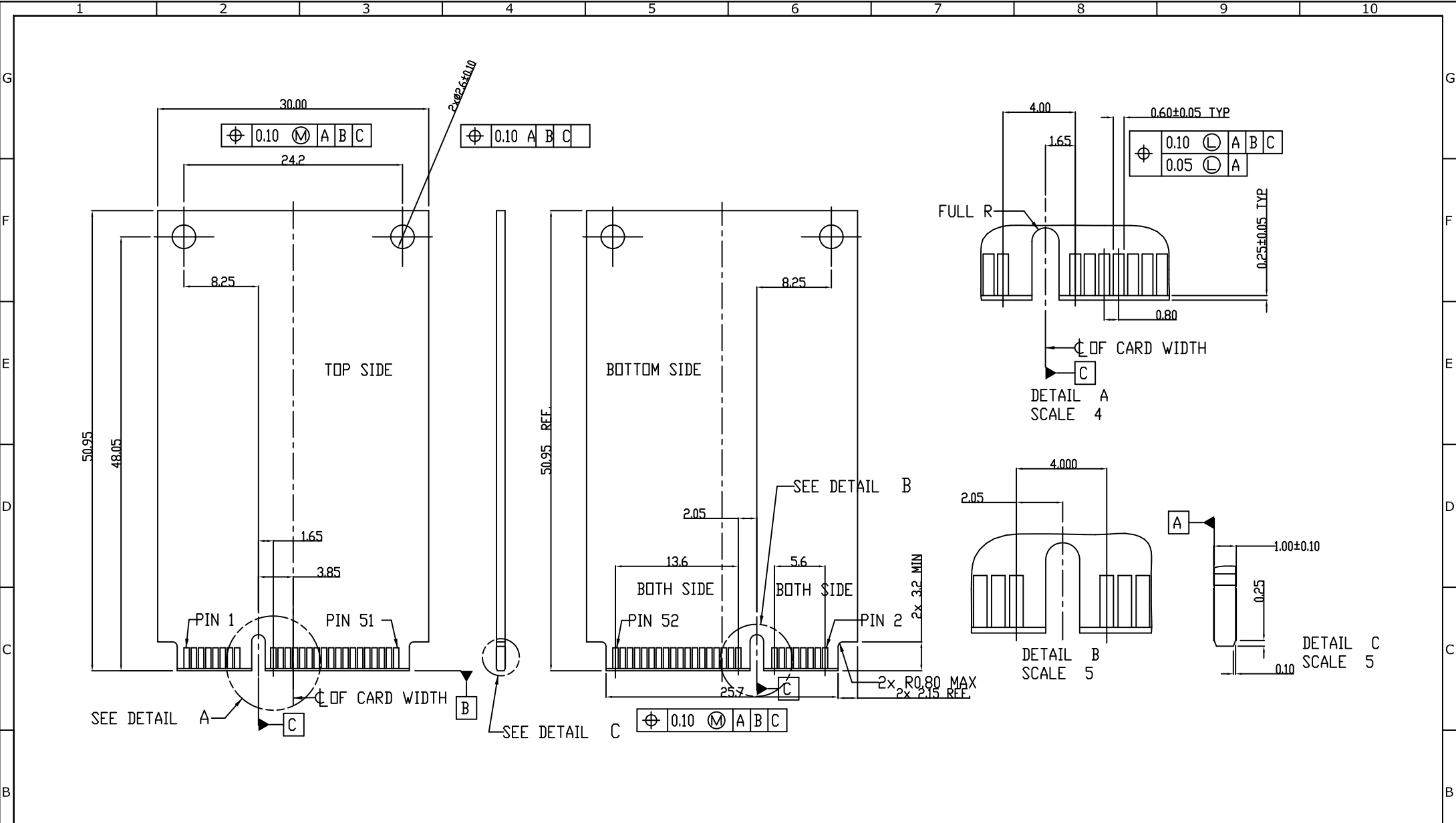
www.attend.com.tw


DRAWN NAME:
Mini PCI Express Stand Off

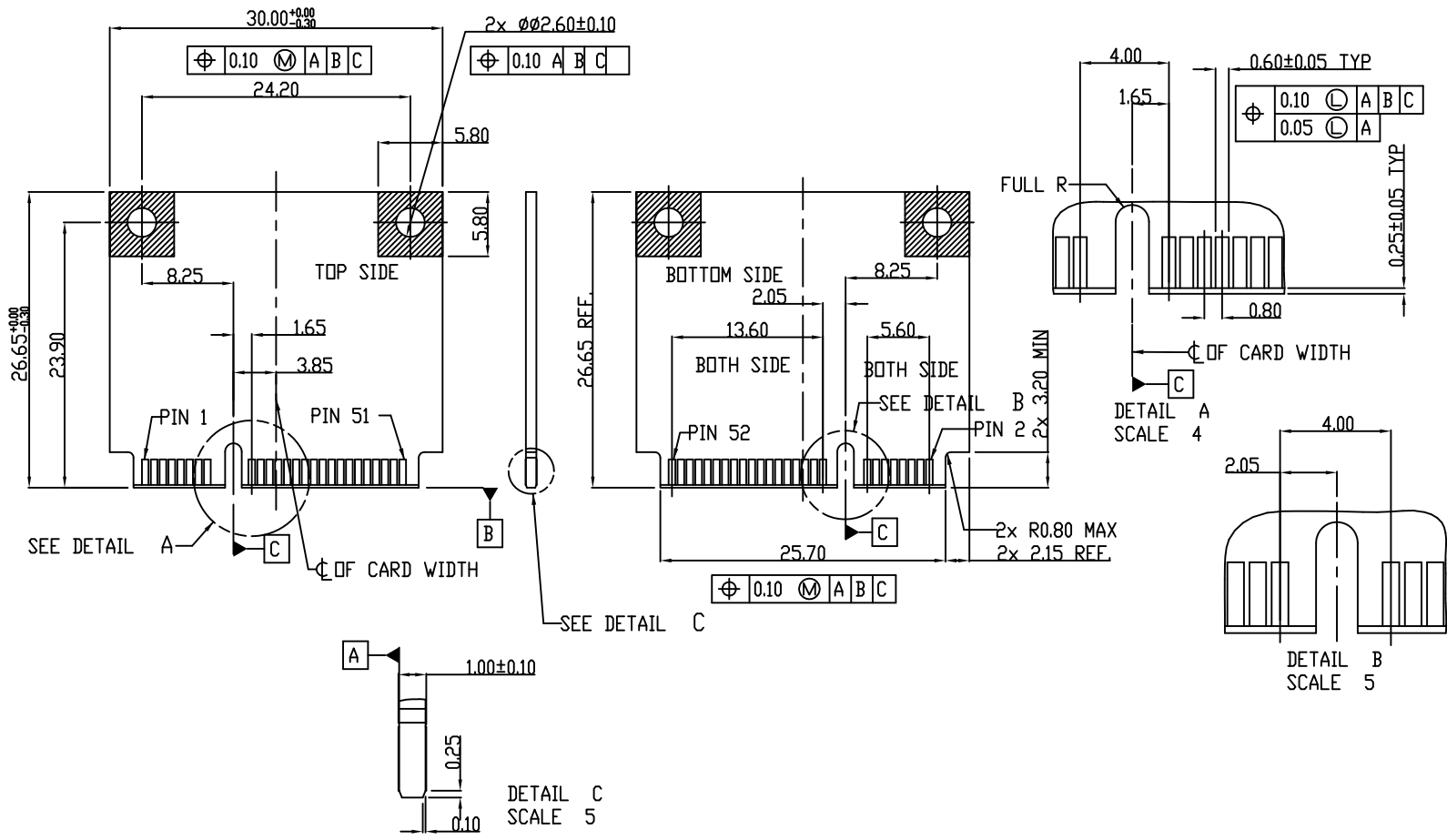
PRODUCT NO. 119A-NUT-80-R02


△	Revise:											
△	Revise:											
△	Revise:											

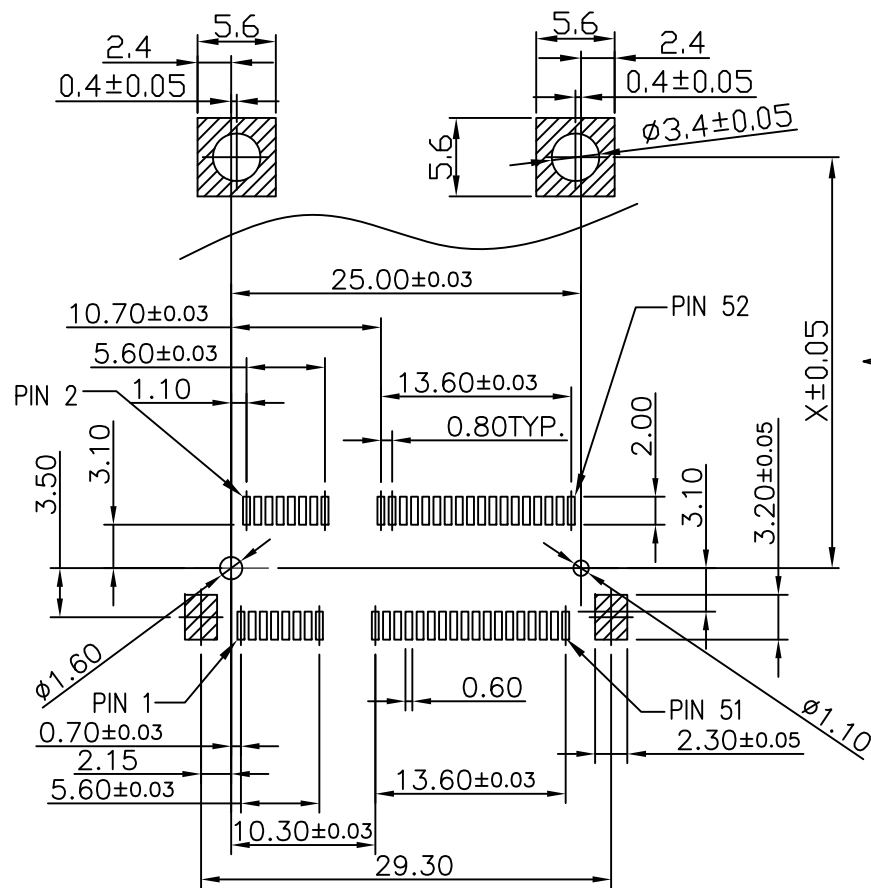
REV.	DESCRIPTION	DATE	REV.	DESCRIPTION	DATE	SIZE	REV.	FILE NAME
1			4			A4	1.0	119A-NUT-80-R02_D_2



REV.	DESCRIPTION	DATE	REV.	DESCRIPTION	DATE	UNLESS OTHERWISE SPECIFIED TOLERANCE		ATTEND	
						ANGLES	ANG.	±5°	 www.attend.com.tw
						LINEAR	0.	±0.3	
							0.0	±0.25	
							0.00	±0.20	
						SCALE	AS SHOWN	UNIT: mm	
A	Revise:					DRAWN	Willis	2012/08/03	DRAWN NAME:
	Revise:					CHECKED	Angel	2012/08/03	Mini PCI Express Socket H:8.0mm
	Revise: Date Code	2010/04/30				APPROVED	Ken	2012/08/03	PRODUCT NO.
									119A-80A00-R02
									FILE NAME
									119A-80A00-R02_B_4



						UNLESS OTHERWISE SPECIFIED TOLERANCE		 www.attend.com.tw	
						ANGLES	ANG.		
						LINEAR		0.	± 0.3
								0.0	± 0.25
								0.00	± 0.20
						SCALE	AS SHOWN	UNIT: mm	
						DRAWN	Willis	2012/08/03	DRAWN NAME:
						CHECKED	Angel	2012/08/03	Mini PCI Express Socket H:8.0mm
						APPROVED	Ken	2012/08/03	PRODUCT NO.
								119A-80A00-R02	
REV.	DESCRIPTION		DATE	REV.	DESCRIPTION		DATE	SIZE	REV.
1								A4	1.0
								FILE NAME	119A-80A00-R02_B_4



Note:
 Standard Card: X=48.05mm
 (Card Length 50.95mm)

Short Card: X=23.90mm
 (Card Length 26.65mm)

Recommended P.C.Board Layout.

UNLESS OTHERWISE SPECIFIED TOLERANCE		
ANGLES	ANG.	±5°
LINEAR	0.	±0.3
	0.0	±0.25
	0.00	±0.20
SCALE	AS SHOWN	UNIT: mm
DRAWN	Willis	2012/08/03
CHECKED	Angel	2012/08/03
APPROVED	Ken	2012/08/03

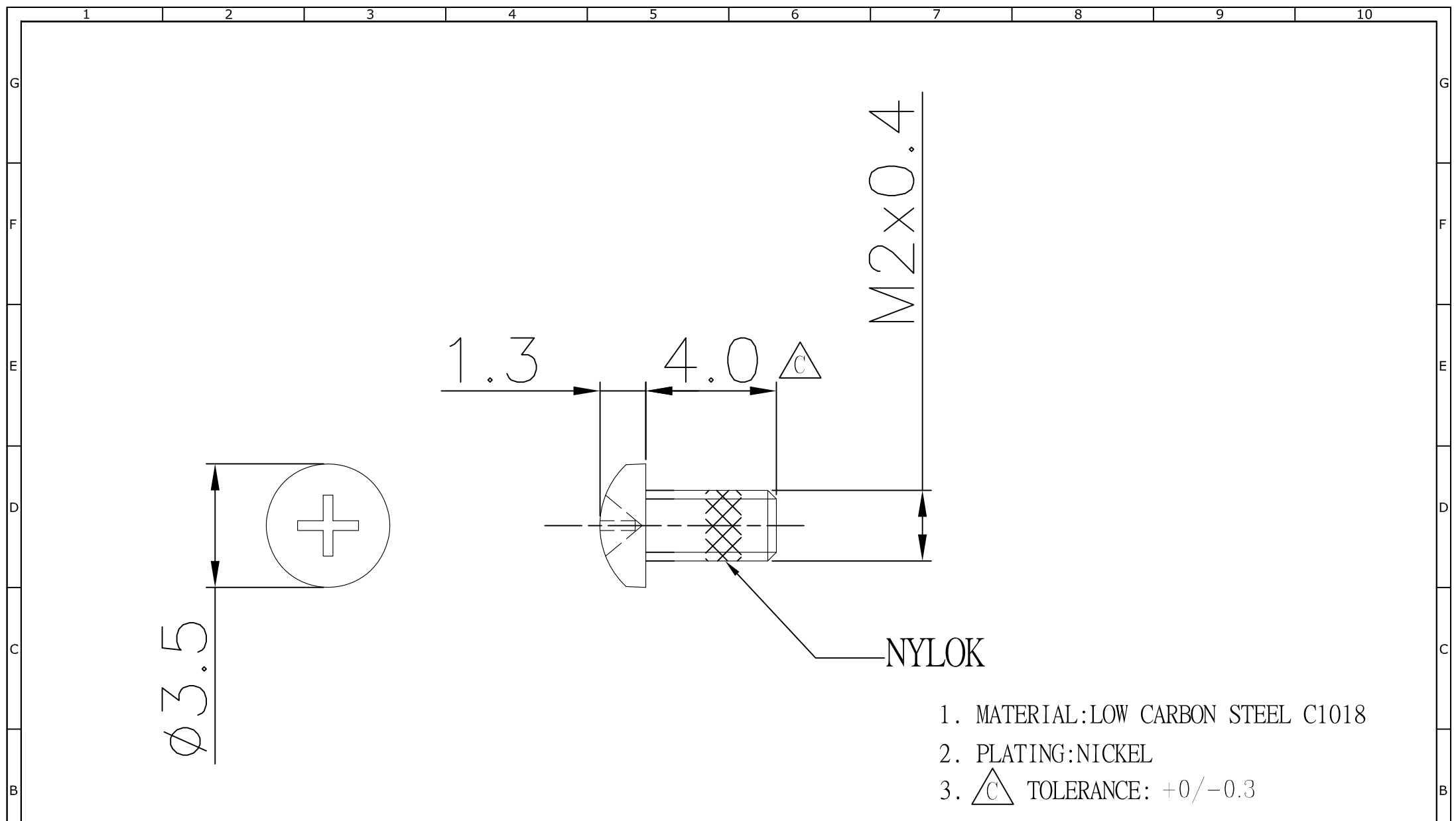


www.attend.com.tw

△	Revise:		
△	Revise:		
△	Revise:		

DRAWN NAME:	Mini PCI Express Socket Layout
PRODUCT NO.	

REV.	DESCRIPTION	DATE	REV.	DESCRIPTION	DATE	SIZE	REV.	FILE NAME
1			4			A4	1.0	



1. MATERIAL: LOW CARBON STEEL C1018
2. PLATING: NICKEL
3. $\triangle C$ TOLERANCE: $+0/-0.3$

						NOTES:			UNLESS OTHERWISE SPECIFIED TOLERANCE			ATTEND www.attend.com.tw		
									ANGLES	ANG.	$\pm 5^\circ$			
									LINEAR	0.	± 0.3			
										0.00	± 0.25	± 0.20		
									SCALE	AS SHOWN	UNIT: mm			
									DRAWN	Willis	2013/01/25	DRAWN NAME: Mini PCI Express M2 Nylok Screw		
									CHECKED	Angel	2013/01/25			
									APPROVED	Ken	2013/01/25	PRODUCT NO. 119A-Screw-R02 FILE NAME 119A-Screw-R02_B_2		
									REV.	1.0	SIZE A4			
REV.	DESCRIPTION			DATE	REV.	DESCRIPTION			DATE					
1					4									
2					5									
3					6									
4					7									
5					8									
6					9									
7					10									