

REV.	DESCRIPTION	DRAWN	DATE
1	INITIAL RELEASE	Willis	2013/12/09
2	Corrected Holddown material	Tim	2016/09/29

**SPECIFICATION:**

**1. ELECTRICAL**

- 1.1 Current Rating: 0.5A per pin
- 1.2 Voltage Rating: 50V DC
- 1.3 Contact Resistance: 5 mΩ Max
- 1.4 Insulation Resistance: 500MΩ Min
- 1.5 Dielectric Withstanding Voltage: 300VAC

**2. MECHANICAL**

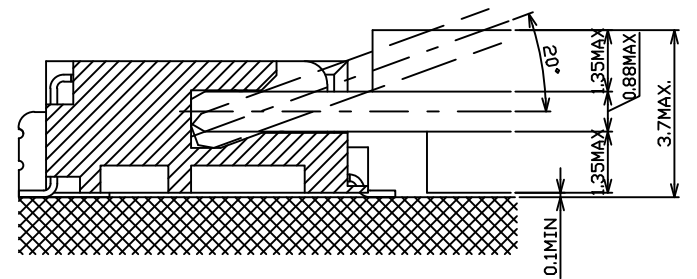
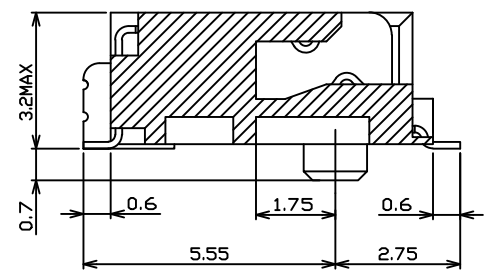
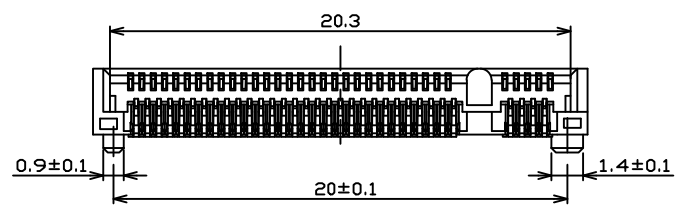
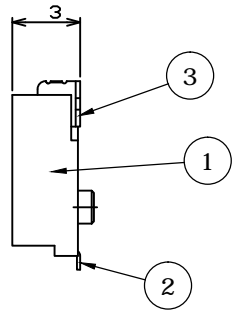
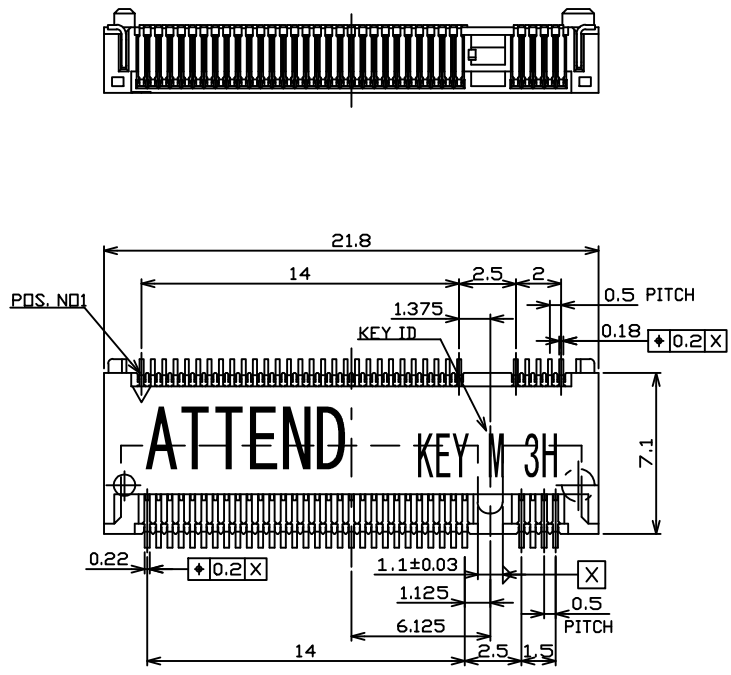
- 2.1 Durability: 200 Cycle
- 2.2 Insertion Force: 20N max.
- 2.3 Extraction Force: 25N max.

**3. ENVIRONMENTAL**

- 3.1 Operating temperature range: -40 °C~+85°C
- 3.2 Storage temperature range: -40 °C~+85°C

**4. SOLDER ABILITY**

- 4.1 Recommended IR-Reflow Temperature: 260°C 10Sec
- 4.2 Recommended PCB Thickness: 1.0mm

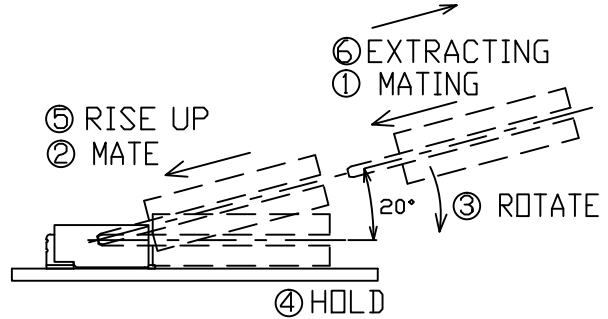
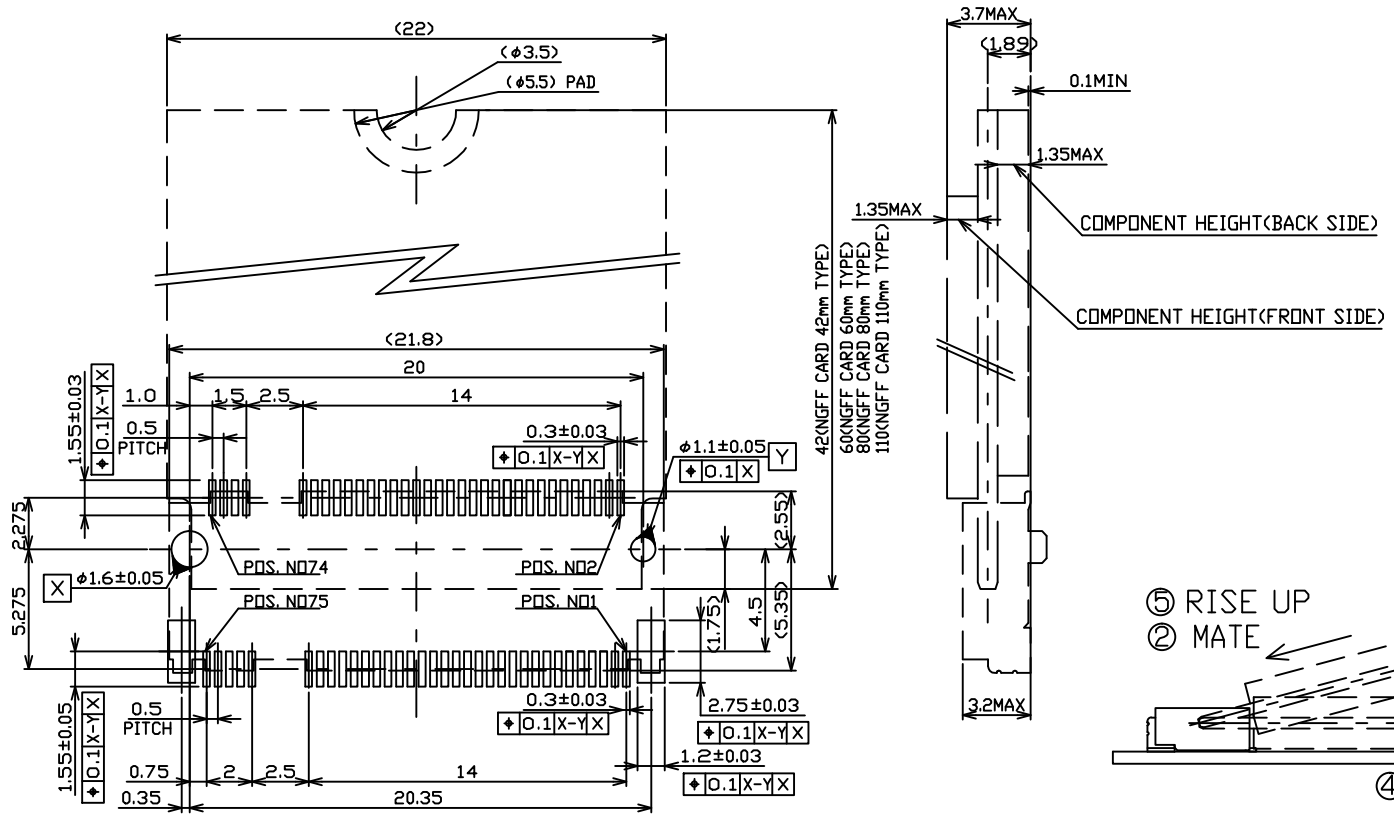


3	HOLDDOWN	Phosphor Bronze, Tin plating over Nickel	
2	CONTACT	Phosphor Bronze, Gold plating over Nickel	
1	HOUSING	LCP, UL94V-0, Black	
NO. PART NAME		DESCRIPTION	
UNLESS OTHERWISE SPECIFIED TOLERANCE			
UNIT:	DECIMAL	LINEAR	ANGLES
	X.	±0.50	±5°
	X.X	±0.25	±3°
	X.XX	±0.12	±1°
DRAWN		Willis	2013/12/09
CHECKED		Angel	2013/12/09
APPROVED		Ken	2013/12/09
SCALE		SHEET	SIZE
3/1		1/4	A4
DRAWN NAME:		M.2 Connector, M key, H3.2mm 0.5Pitch, Gold Flash	
PRODUCT NO.		123A-32MA0-R01	
FILE NAME		123A-32MA0-R01_B_2	




WWW.ATTEND.COM.TW

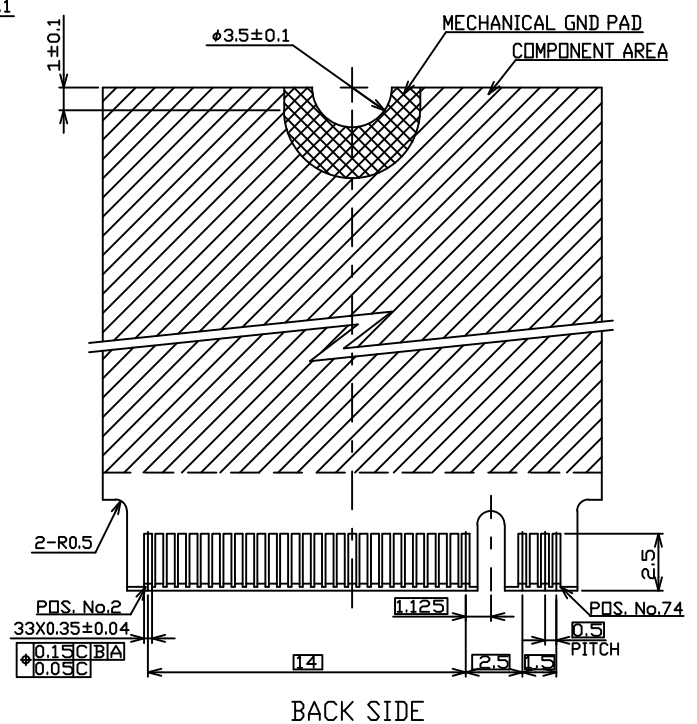
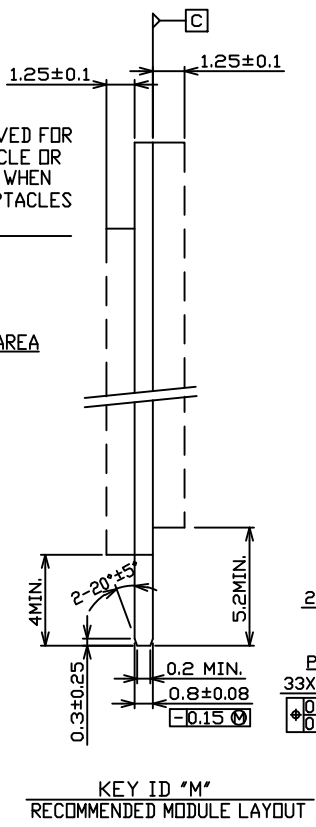
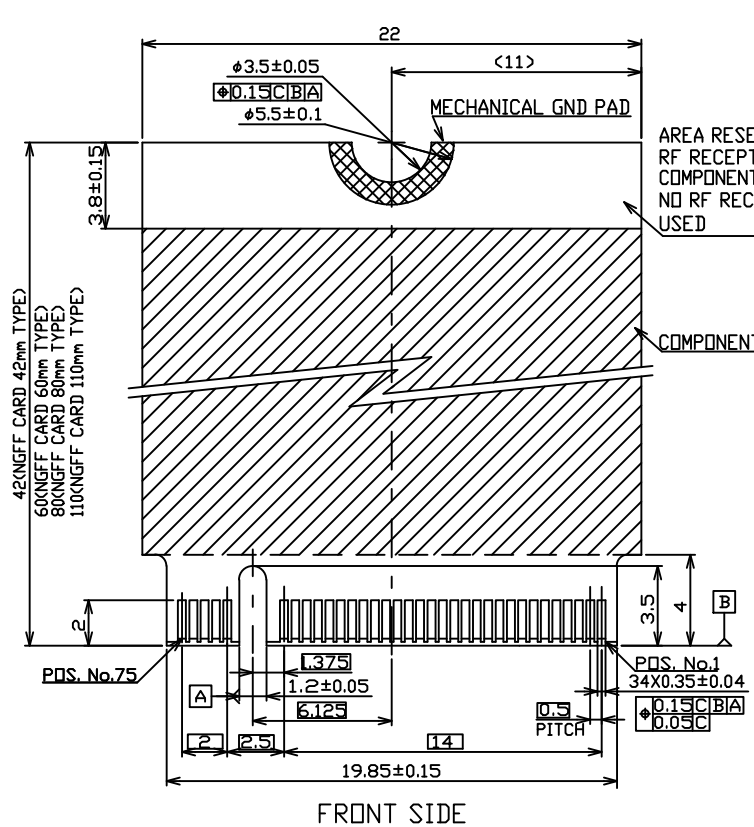
REV.	DESCRIPTION	DRAWN	DATE
	see sheet one		



KEY ID "M"  
RECOMMENDED P.C.BOARD LAYOUT

UNLESS OTHERWISE SPECIFIED TOLERANCE				 WWW.ATTEND.COM.TW
UNIT:	DECIMAL	LINEAR	ANGLES	
mm	X.	±0.50	±5°	
	X.X	±0.25	±3°	
	X.XX	±0.12	±1°	
DRAWN	Willis	2013/12/09	DRAWN NAME:	
CHECKED	Angel	2013/12/09	M.2 Connector, M key, H3.2mm 0.5Pitch, Gold Flash	
APPROVED	Ken	2013/12/09	PRODUCT NO. 123A-32MA0-R01	
SCALE	3/1	SHEET 2/4	SIZE A4	FILE NAME 123A-32MA0-R01_B_2

REV.	DESCRIPTION	DRAWN	DATE
	see sheet one		



UNLESS OTHERWISE SPECIFIED TOLERANCE

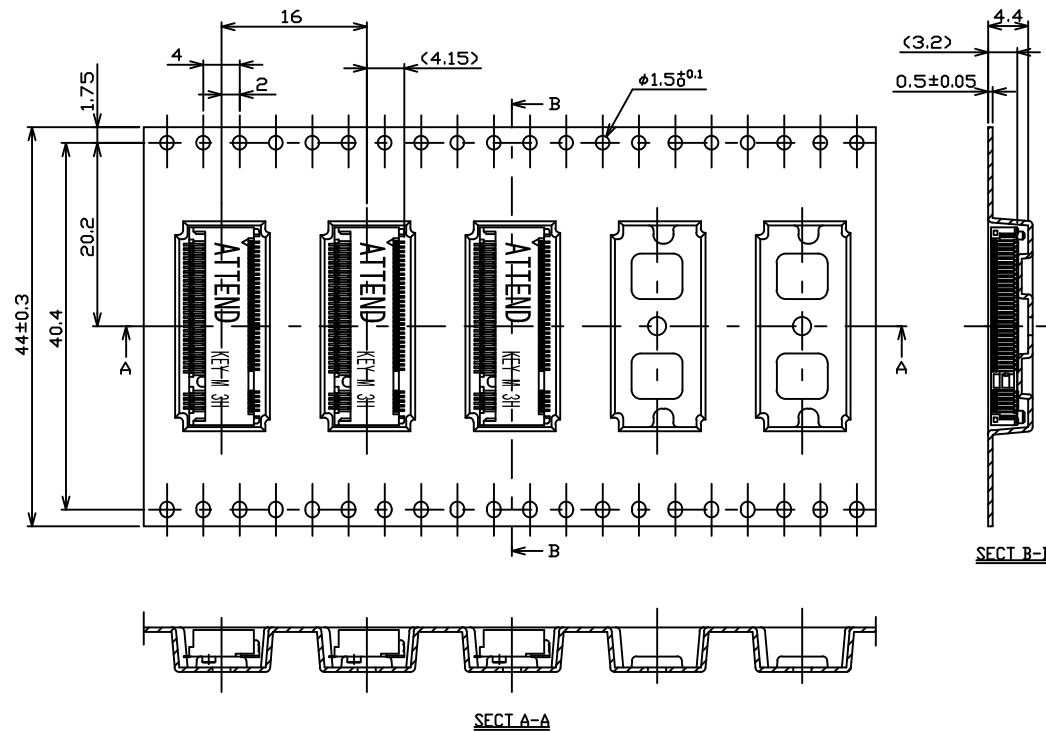
UNIT:	DECIMAL	LINEAR	ANGLES
mm	X.	±0.50	±5°
	X.X	±0.25	±3°
	X.XX	±0.12	±1°



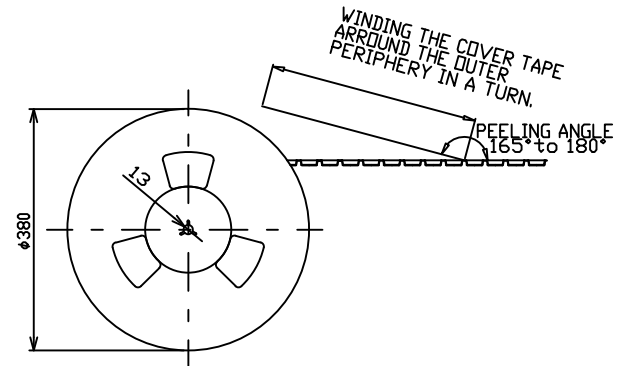
DRAWN	Willis	2013/12/09	DRAWN NAME:
CHECKED	Angel	2013/12/09	M.2 Connector, M key, H3.2mm 0.5Pitch, Gold Flash
APPROVED	Ken	2013/12/09	PRODUCT NO. 123A-32MA0-R01
SCALE	3/1	SHEET 3/4	SIZE A4
FILE NAME	123A-32MA0-R01_B_2		


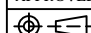
REV.	DESCRIPTION	DRAWN	DATE
	see sheet one		

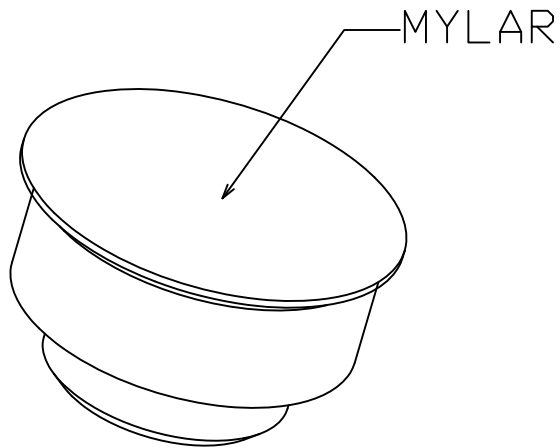
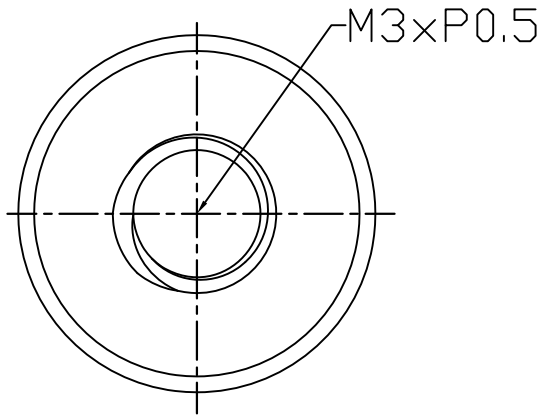
DIRECTION OFF TOP OF REEL



- NOTES:
1. THE DIRECTION OF EACH CONNECTOR ON A EMBOSS IS REFERED TO THIS DRAWING.
  2. GENERAL TOLERANCE :  $\pm 0.5$  ,  $\pm 3^\circ$
  3. PACKAGED IN EMBOSS TAPE AND PLASTIC REEL 1200 PCS PRE REEL.

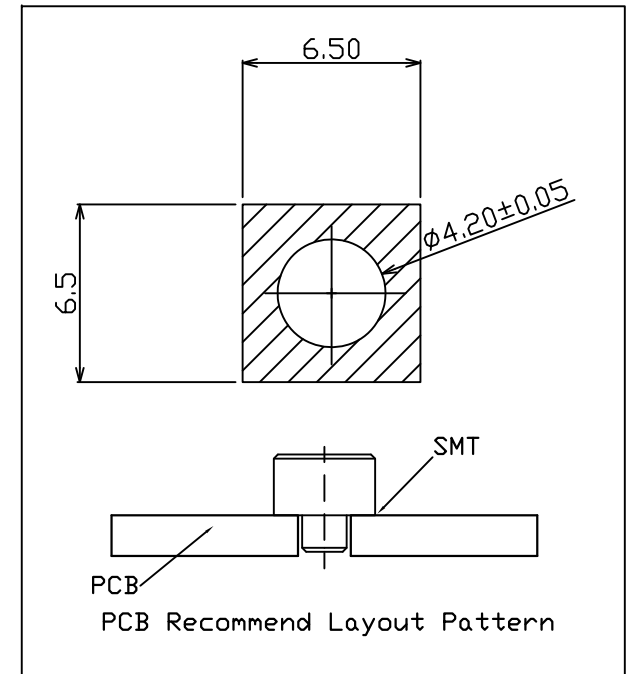
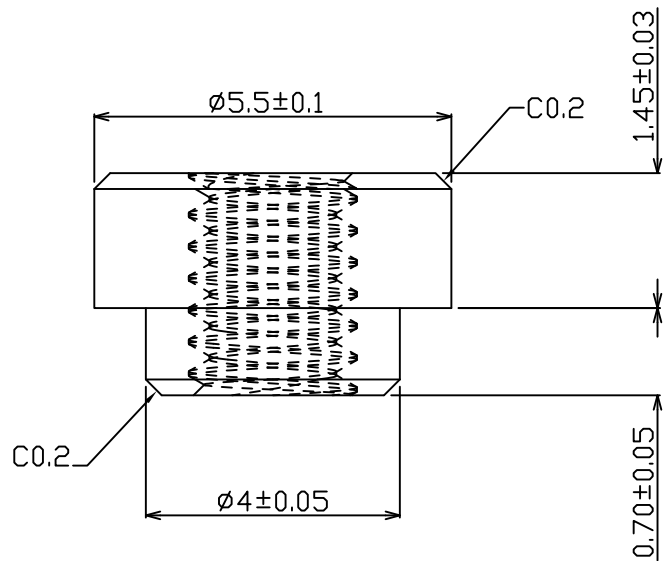


UNLESS OTHERWISE SPECIFIED TOLERANCE				 WWW.ATTEND.COM.TW	
UNIT:	DECIMAL	LINEAR	ANGLES		
mm	X.	$\pm 0.50$	$\pm 5^\circ$		
	X.X	$\pm 0.25$	$\pm 3^\circ$		
	X.XX	$\pm 0.12$	$\pm 1^\circ$		
DRAWN	Willis	2013/12/09	DRAWN NAME:		
CHECKED	Angel	2013/12/09	M.2 Connector, M key, H3.2mm 0.5Pitch, Gold Flash		
APPROVED	Ken	2013/12/09	PRODUCT NO.	123A-32MA0-R01	
	SCALE	SHEET	SIZE	FILE NAME	
	3/1	4/4	A4	123A-32MA0-R01_B_2	

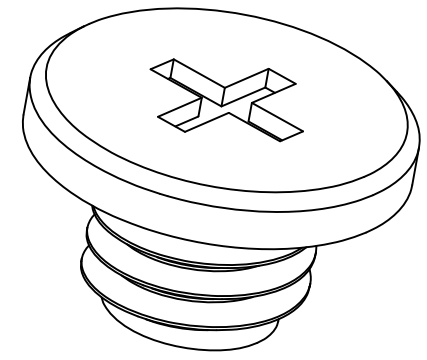
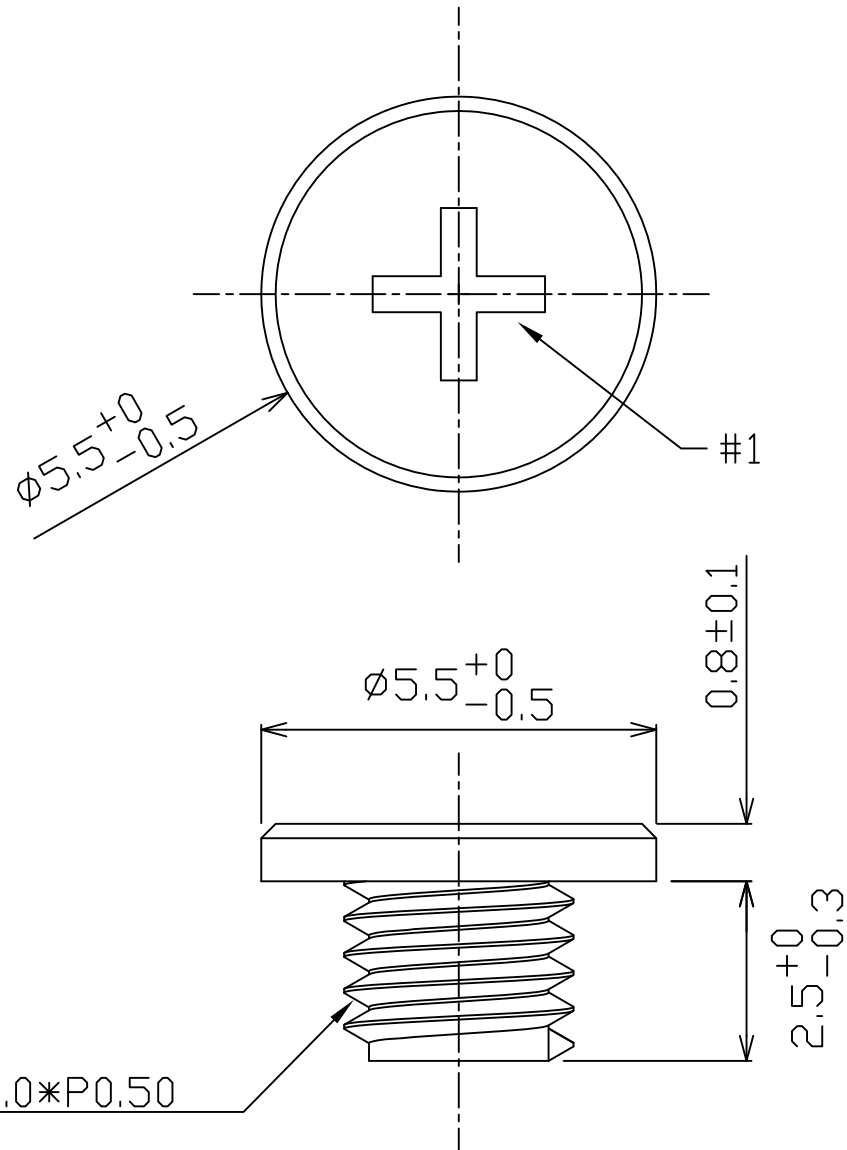


NOTE:

- 1.MATERIAL: Copper Alloy
- 2.Plating: Sn.



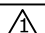


REV.	DESCRIPTION	DATE	REV.	DESCRIPTION	DATE	UNLESS OTHERWISE SPECIFIED TOLERANCE	 www.attend.com.tw	
						ANGLES	ANG.	±5°
						LINEAR	0.	±0.3
							0.0	±0.25
							0.00	±0.20
						SCALE	AS SHOWN	UNIT: mm
A	Revise:					DRAWN	Willis	2013/08/06
	Revise:					CHECKED	Angel	2013/08/06
	Revise:					APPROVED	Ken	2013/08/06
						SIZE	A4	REV. 1.0
						FILE NAME	123A-NUT-32_B_1	
						PRODUCT NO.	123A-NUT-32	
						DRAWN NAME: M.2 Connector Stand Off		



Note:  
 1. Material: Low-carbon steel  
 2. Plating: Nickel

						UNLESS OTHERWISE SPECIFIED TOLERANCE			 www.attend.com.tw	
						ANGLES	ANG.	±5°		
						LINEAR	0.	±0.3		
							0.00	±0.20		
						SCALE	AS SHOWN	UNIT: mm	DRAWN NAME: M.2 Series Screw	
						DRAWN	Willis	2013/08/06	PRODUCT NO. 123A-SCREW	
						CHECKED	Angel	2013/08/06	FILE NAME 123A-SCREW_B_1	
						APPROVED	Ken	2013/08/06		
REV.	DESCRIPTION		DATE	REV.	DESCRIPTION		DATE	 SIZE A4 REV. 1.0		
1				4						
2				5						
3				6						
4				7						
5				8						
6				9						
7				10						

 Revise:  
 Revise:  
 Revise: