

| REV. | DESCRIPTION | DRAWN | DATE |
|------|-----------------------------|--------|------------|
| 1 | INITIAL RELEASE | Willis | 2013/12/09 |
| 2 | Corrected Holddown material | Tim | 2016/09/29 |

SPECIFICATION:

1. ELECTRICAL

- 1.1 Current Rating: 0.5A per pin
- 1.2 Voltage Rating: 50V DC
- 1.3 Contact Resistance: 5 5mΩ Max
- 1.4 Insulation Resistance: 500MΩ Min
- 1.5 Dielectric Withstanding Voltage: 300VAC

2. MECHANICAL

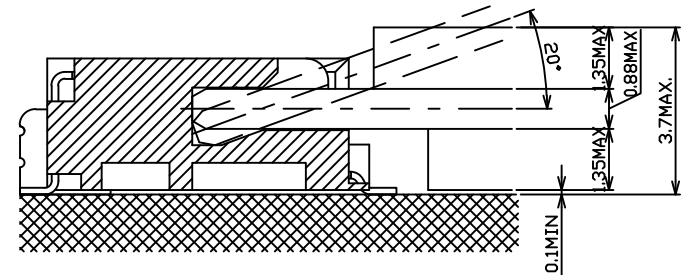
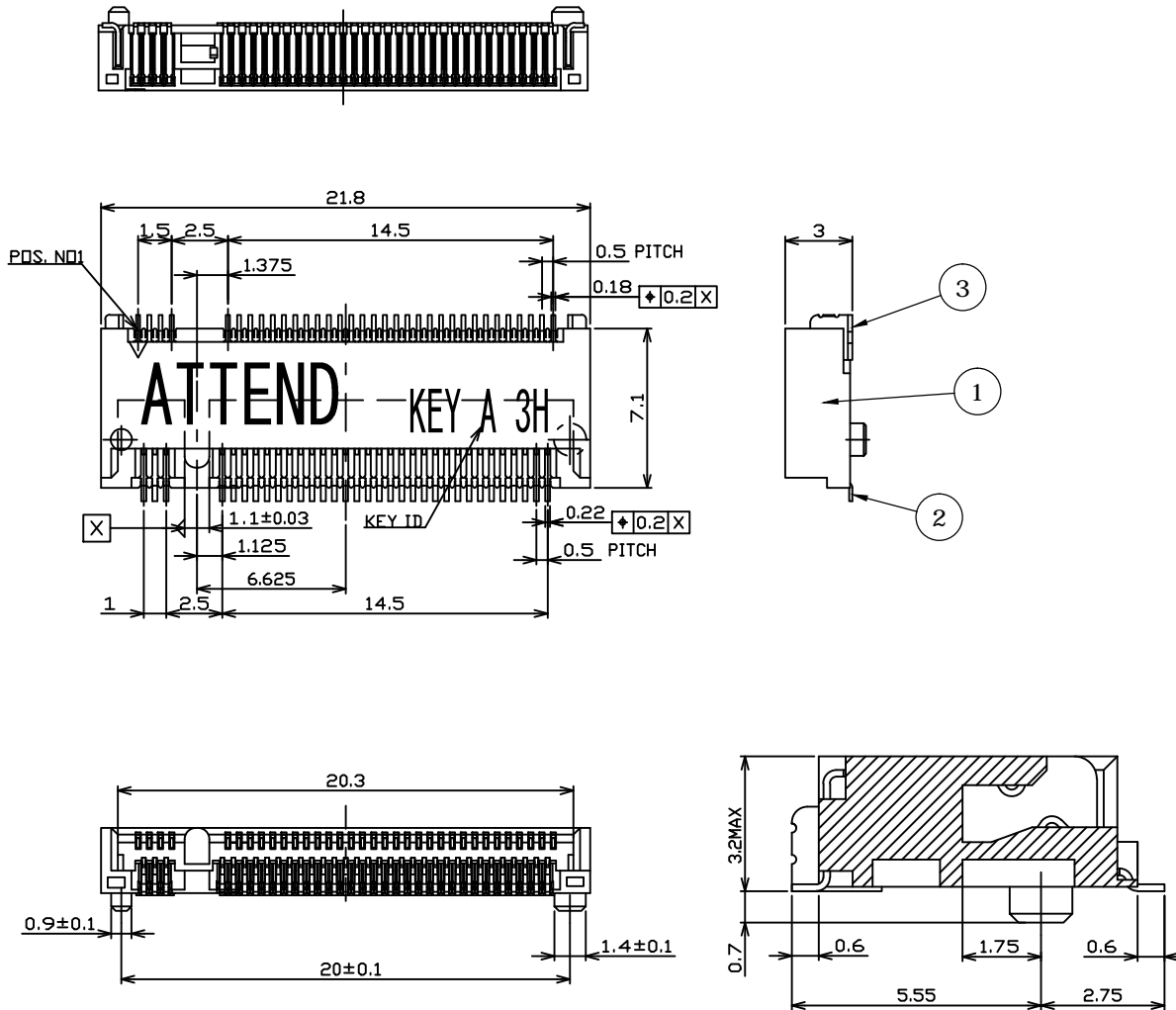
- 2.1 Durability: 200 Cycle
- 2.2 Insertion Force: 20N max.
- 2.3 Extraction Force: 25N max.

3. ENVIRONMENTAL

- 3.1 Operating temperature range: -40 °C~+85°C
- 3.2 Storage temperature range: -40 °C~+85°C

4. SOLDER ABILITY

- 4.1 Recommended IR-Reflow Temperature: 260°C 10Sec
- 4.2 Recommended PCB Thickness: 1.0mm

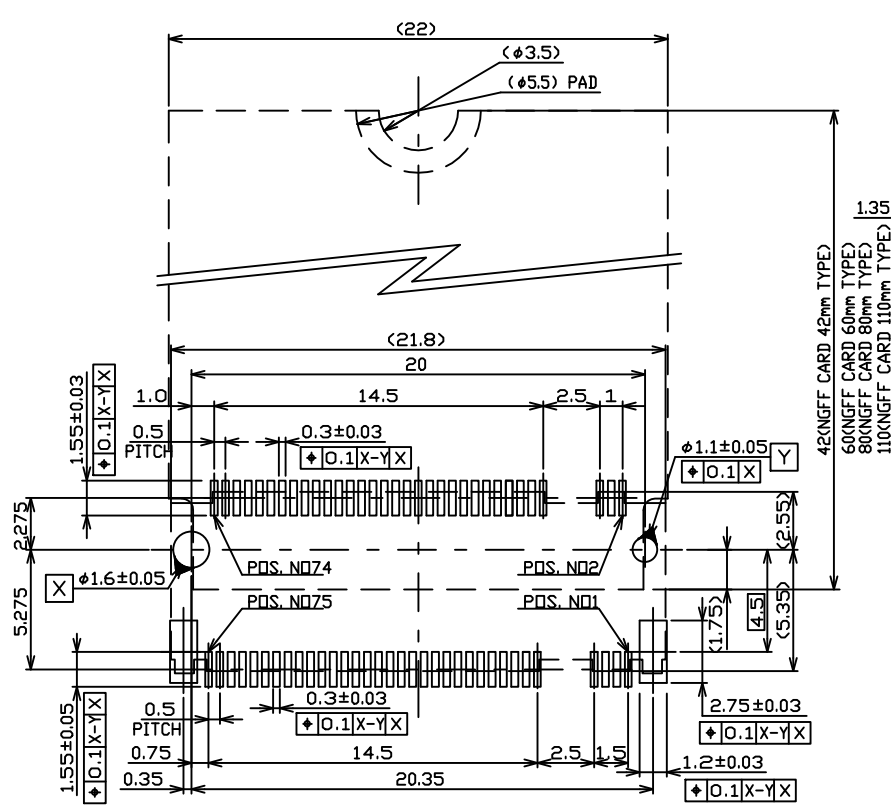


| | | | |
|--------------------------------------|----------|---|------------|
| 3 | HOLDDOWN | Phosphor Bronze, Tin plating over Nickel | |
| 2 | CONTACT | Phosphor Bronze, Gold plating over Nickel | |
| 1 | HOUSING | LCP, UL94V-0, Black | |
| NO. PART NAME | | DESCRIPTION | |
| UNLESS OTHERWISE SPECIFIED TOLERANCE | | | |
| UNIT: | DECIMAL | LINEAR | ANGLES |
| | mm | X. ±0.50 | ±5° |
| | | X.X ±0.25 | ±3° |
| | | X.XX ±0.12 | ±1° |
| DRAWN | | Willis | 2013/12/09 |
| CHECKED | | Angel | 2013/12/09 |
| APPROVED | | Ken | 2013/12/09 |
| SCALE | | SHEET | SIZE |
| 3/1 | | 1/4 | A4 |
| DRAWN NAME: | | M.2 Connector, A key, H3.2mm 0.5Pitch, Gold Flash | |
| PRODUCT NO. | | 123A-32AA0-R01 | |
| FILE NAME | | 123A-32AA0-R01_B_2 | |

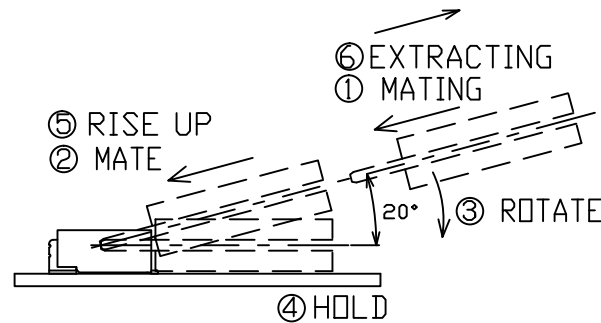
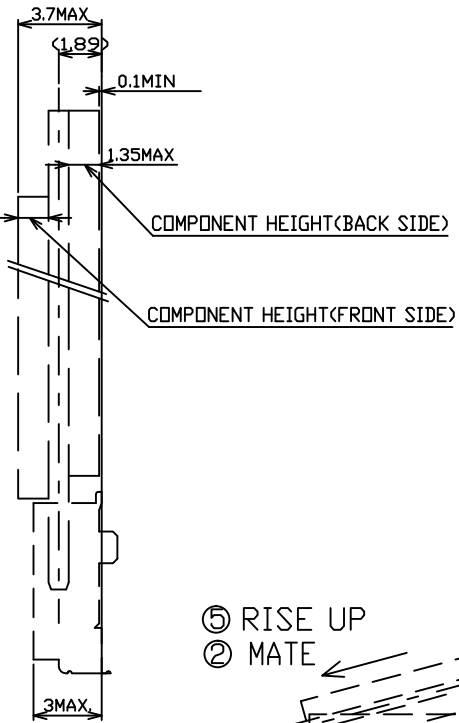



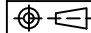
WWW.ATTEND.COM.TW

| | | | |
|------|---------------|-------|------|
| REV. | DESCRIPTION | DRAWN | DATE |
| | See sheet one | | |

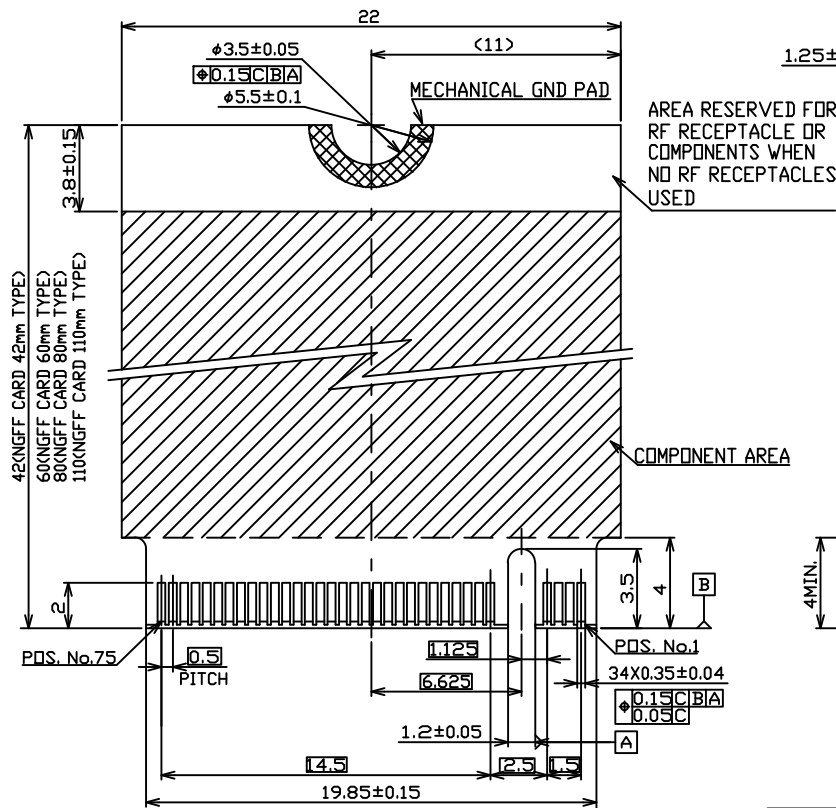


KEY ID "A"
RECOMMENDED P.C.BOARD LAYOUT

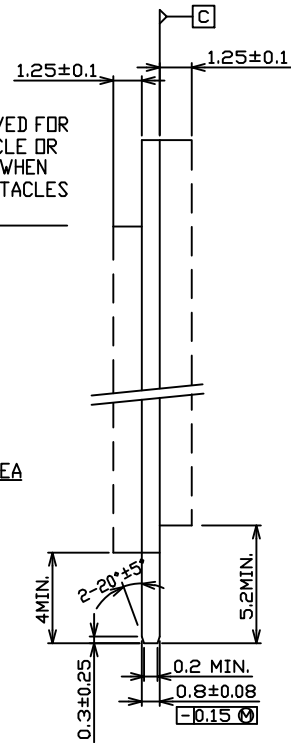


| | | | | |
|---|-----------|------------|--|---|
| UNLESS OTHERWISE SPECIFIED TOLERANCE | | | |  WWW.ATTEND.COM.TW |
| UNIT: | DECIMAL | LINEAR | ANGLES | |
| | X. | ±0.50 | ±5° | |
| | X.X | ±0.25 | ±3° | |
| mm | X.XX | ±0.12 | ±1° | |
| DRAWN | Willis | 2013/12/09 | DRAWN NAME: | |
| CHECKED | Angel | 2013/12/09 | M.2 Connector, A key, H3.2mm 0.5Pitch, Gold Flash | |
| APPROVED | Ken | 2013/12/09 | PRODUCT NO. | 123A-32AA0-R01 |
|  SCALE 3/1 SHEET 2/4 SIZE A4 | FILE NAME | | 123A-32AA0-R01_B_2 | |

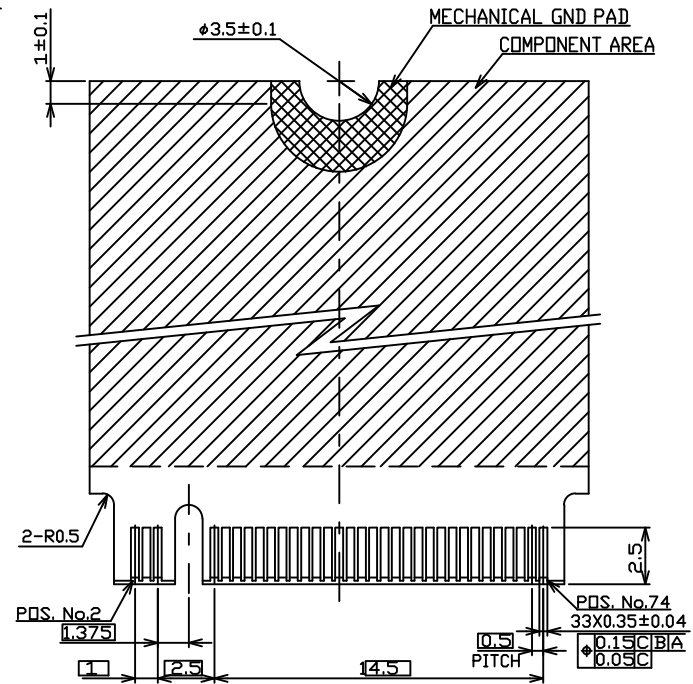
| | | | |
|------|---------------|-------|------|
| REV. | DESCRIPTION | DRAWN | DATE |
| | See sheet one | | |



FRONT SIDE



KEY ID "A"
RECOMMENDED MODULE LAYOUT



BACK SIDE

UNLESS OTHERWISE SPECIFIED TOLERANCE

| | | | |
|-------|---------|--------|--------|
| UNIT: | DECIMAL | LINEAR | ANGLES |
| mm | X. | ±0.50 | ±5° |
| | X.X | ±0.25 | ±3° |
| | X.XX | ±0.12 | ±1° |

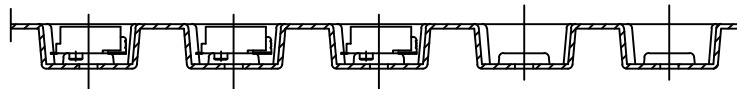
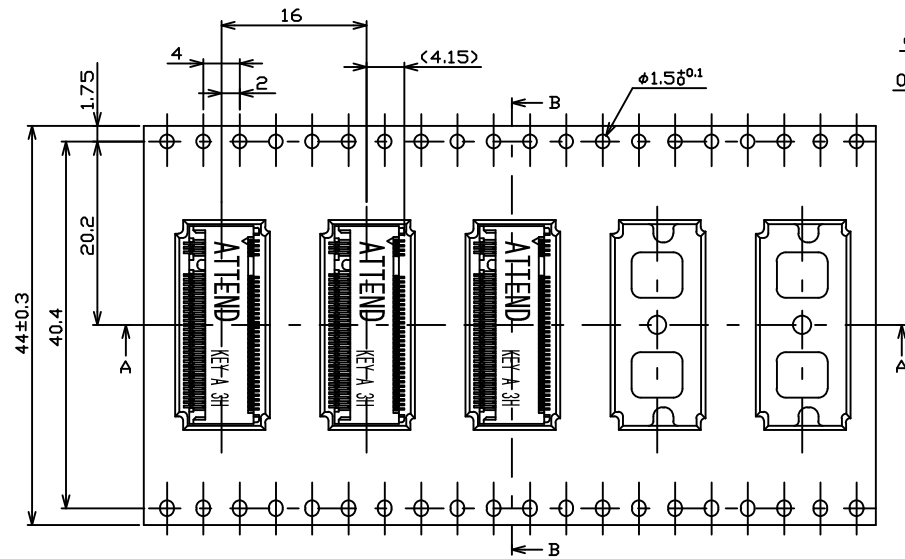
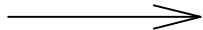


WWW.ATTEND.COM.TW

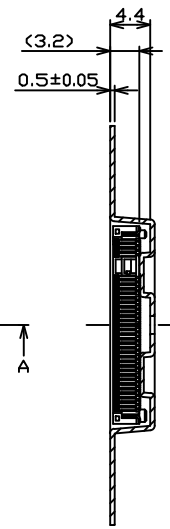
| | | | |
|----------|--------|------------|--|
| DRAWN | Willis | 2013/12/09 | DRAWN NAME: |
| CHECKED | Angel | 2013/12/09 | M.2 Connector, A key, H3.2mm 0.5Pitch, Gold Flash |
| APPROVED | Ken | 2013/12/09 | PRODUCT NO. 123A-32AA0-R01 |
| SCALE | 3/1 | SHEET | 3/4 |
| SIZE | A4 | FILE NAME | 123A-32AA0-R01_B_2 |

| | | | |
|------|---------------|-------|------|
| REV. | DESCRIPTION | DRAWN | DATE |
| | See sheet one | | |

DIRECTION OFF TOP OF REEL



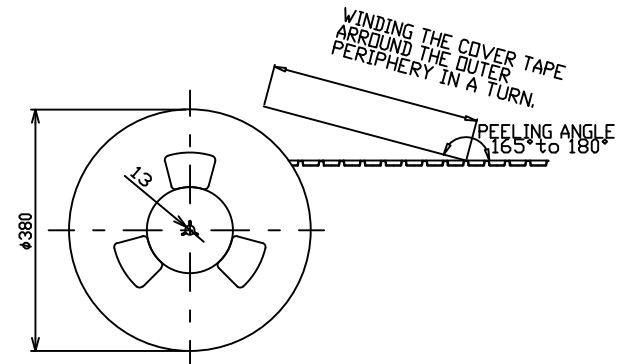
SECT A-A



SECT B-B

NOTES:

1. THE DIRECTION OF EACH CONNECTOR ON A EMBOSS IS REFERED TO THIS DRAWING.
2. GENERAL TOLERANCE : ±0.5 , ±3°
3. PACKAGED IN EMBOSS TAPE AND PLASTIC REEL 1200 PCS PRE REEL.

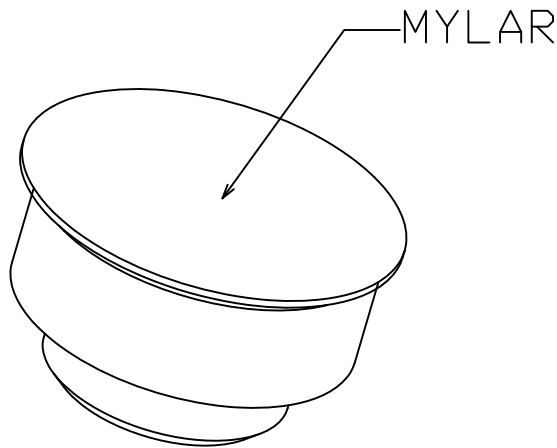
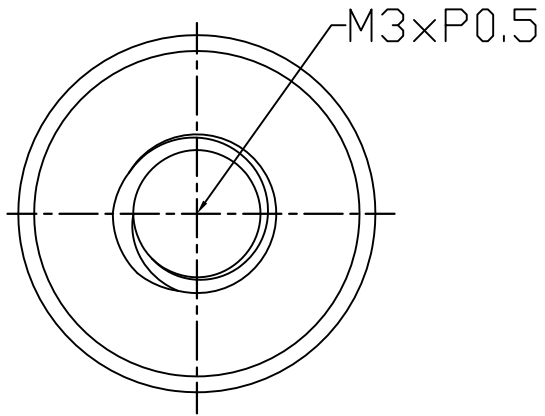


| | | | |
|--------------------------------------|---------|--------|--------|
| UNLESS OTHERWISE SPECIFIED TOLERANCE | | | |
| UNIT: | DECIMAL | LINEAR | ANGLES |
| mm | X. | ±0.50 | ±5° |
| | X.X | ±0.25 | ±3° |
| | X.XX | ±0.12 | ±1° |



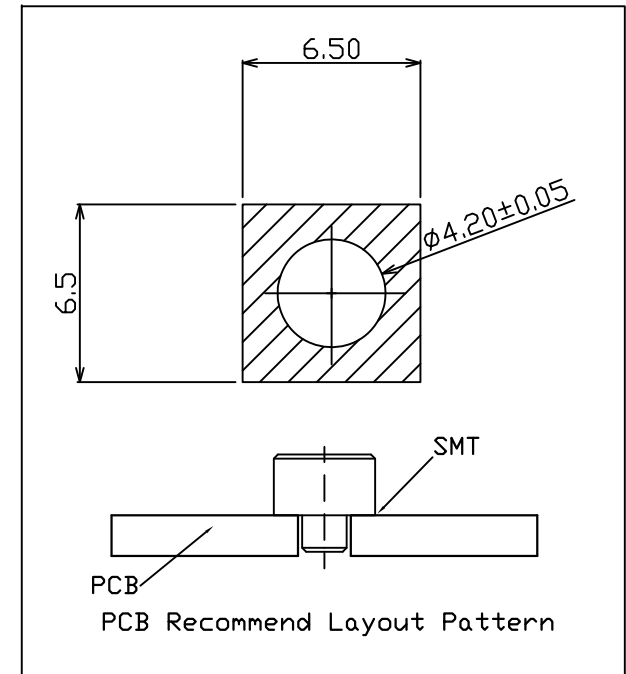
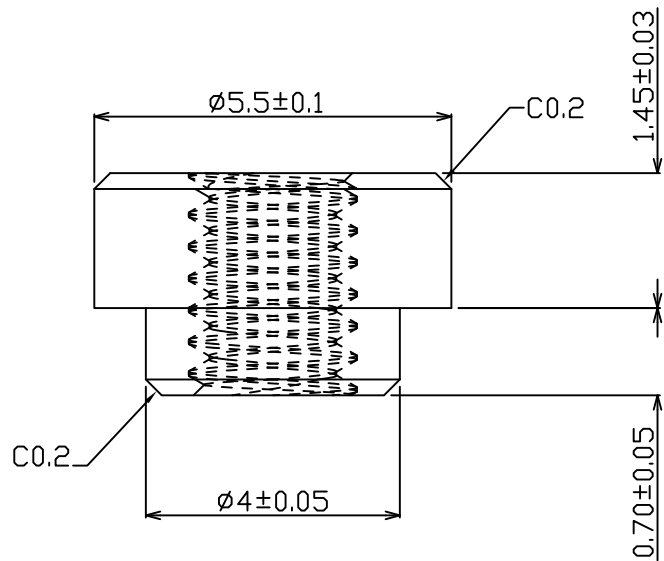
WWW.ATTEND.COM.TW

| | | | |
|-----------|-----------|------------|--|
| DRAWN | Willis | 2013/12/09 | DRAWN NAME: |
| CHECKED | Angel | 2013/12/09 | M.2 Connector, A key, H3.2mm 0.5Pitch, Gold Flash |
| APPROVED | Ken | 2013/12/09 | PRODUCT NO. 123A-32AA0-R01 |
| | SCALE 3/1 | SHEET 4/4 | SIZE A4 |
| FILE NAME | | | 123A-32AA0-R01_B_2 |



NOTE:

- 1.MATERIAL: Copper Alloy
- 2.Plating: Sn.

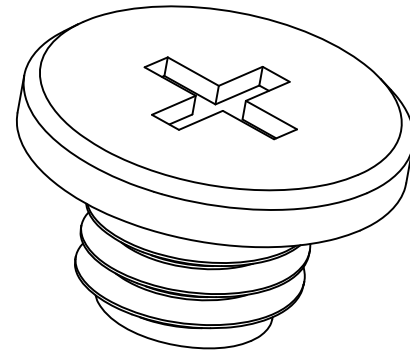
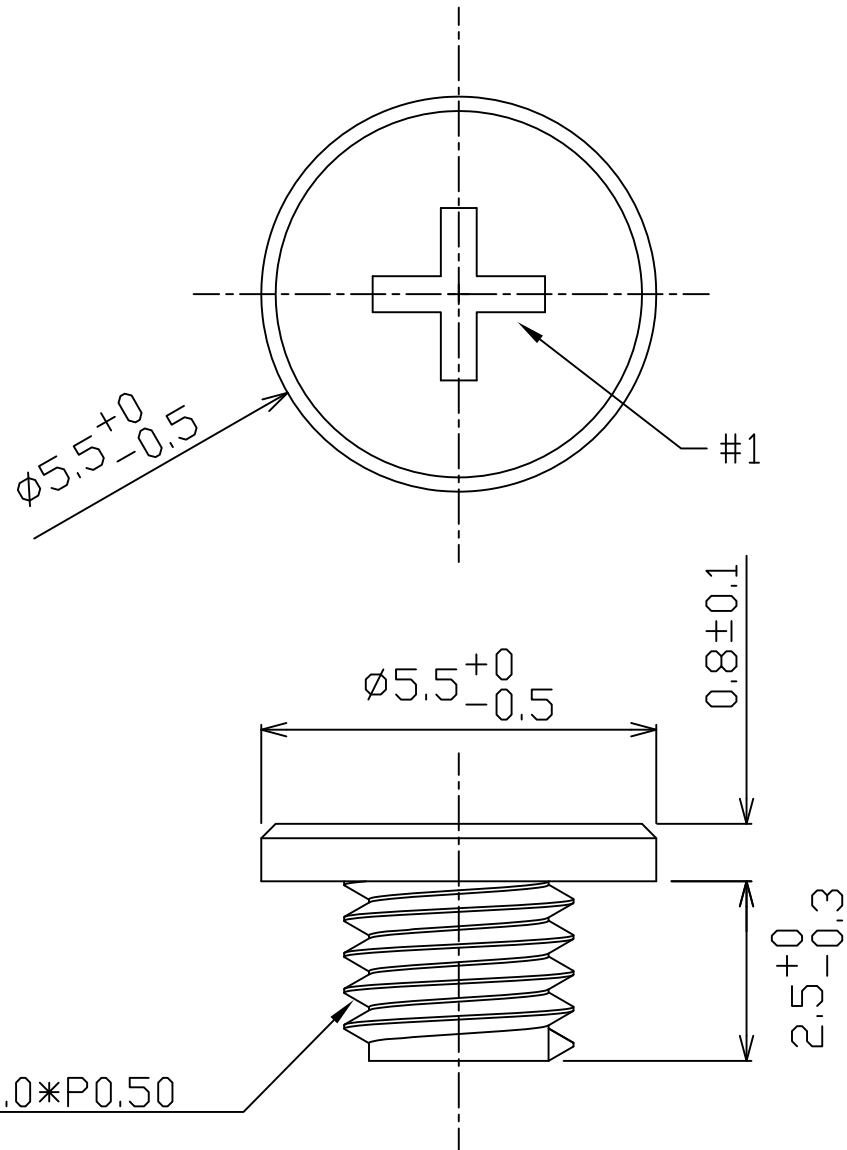


| UNLESS OTHERWISE SPECIFIED TOLERANCE | | | | DRAWN NAME: | |
|--------------------------------------|-------------|---------------|-------------------------------------|-------------|------|
| ANGLES | ANG. | $\pm 5^\circ$ | www.attend.com.tw | | |
| LINEAR | 0. | ± 0.3 | | | |
| | 0.0 | ± 0.25 | | | |
| | 0.00 | ± 0.20 | DRAWN NAME: M.2 Connector Stand Off | | |
| SCALE | AS SHOWN | UNIT: mm | PRODUCT NO. 123A-NUT-32 | | |
| DRAWN | Willis | 2013/08/06 | FILE NAME 123A-NUT-32_B_1 | | |
| CHECKED | Angel | 2013/08/06 | | | |
| APPROVED | Ken | 2013/08/06 | | | |
| REV. | DESCRIPTION | DATE | REV. | DESCRIPTION | DATE |
| 1 | | | 4 | | |





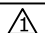
A

A



Note:
 1. Material: Low-carbon steel
 2. Plating: Nickel

| | | | | | | | | | | |
|------|-------------|--|------|------|-------------|--------------------------------------|----------|---|--|--|
| | | | | | | UNLESS OTHERWISE SPECIFIED TOLERANCE | | |  www.attend.com.tw | |
| | | | | | | ANGLES | ANG. | ±5° | | |
| | | | | | | LINEAR | 0. | ±0.3 | | |
| | | | | | | | 0.00 | ±0.25 | | |
| | | | | | | SCALE | AS SHOWN | UNIT: mm | DRAWN NAME: M.2 Series Screw | |
| | | | | | | DRAWN | Willis | 2013/08/06 | PRODUCT NO. 123A-SCREW | |
| | | | | | | CHECKED | Angel | 2013/08/06 | FILE NAME 123A-SCREW_B_1 | |
| | | | | | | APPROVED | Ken | 2013/08/06 | | |
| REV. | DESCRIPTION | | DATE | REV. | DESCRIPTION | | DATE |  SIZE A4 REV. 1.0 | | |
| 1 | | | | 4 | | | | | | |
| 2 | | | | 5 | | | | | | |
| 3 | | | | 6 | | | | | | |
| 4 | | | | 7 | | | | | | |
| 5 | | | | 8 | | | | | | |
| 6 | | | | 9 | | | | | | |
| 7 | | | | 10 | | | | | | |

 Revise:
 Revise:
 Revise: