

REV.	DESCRIPTION	DRAWN	DATE
1	INITIAL RELEASE	Willis	2013/12/09
2	Corrected Holddown material	Fros	2016/08/05

SPECIFICATION:

1. ELECTRICAL

- 1.1 Current Rating: 0.5A per pin
- 1.2 Voltage Rating: 50V DC
- 1.3 Contact Resistance: 5 5mΩ Max
- 1.4 Insulation Resistance: 500MΩ Min
- 1.5 Dielectric Withstanding Voltage: 300VAC

2. MECHANICAL

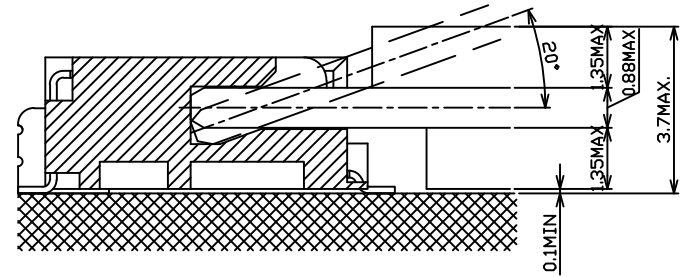
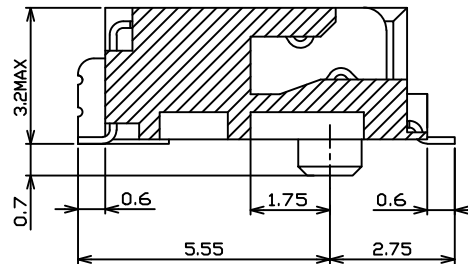
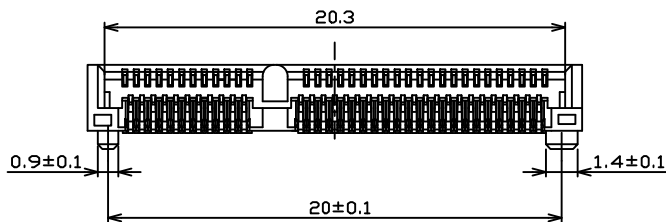
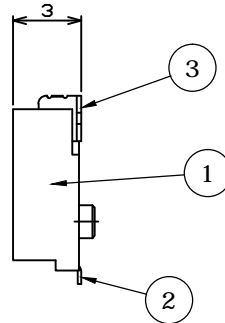
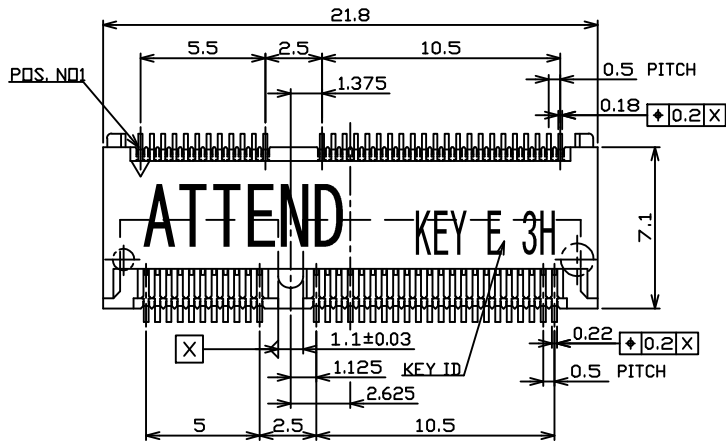
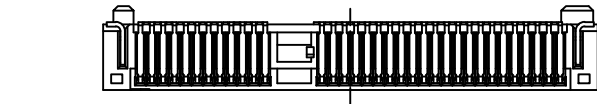
- 2.1 Durability: 200 Cycle
- 2.2 Insertion Force: 20N max.
- 2.3 Extraction Force: 25N max.

3. ENVIRONMENTAL

- 3.1 Operating temperature range: -40 °C~+85°C
- 3.2 Storage temperature range: -40 °C~+85°C

4. SOLDER ABILITY

- 4.1 Recommended IR-Reflow Temperature: 260°C 10Sec
- 4.2 Recommended PCB Thickness: 1.0mm

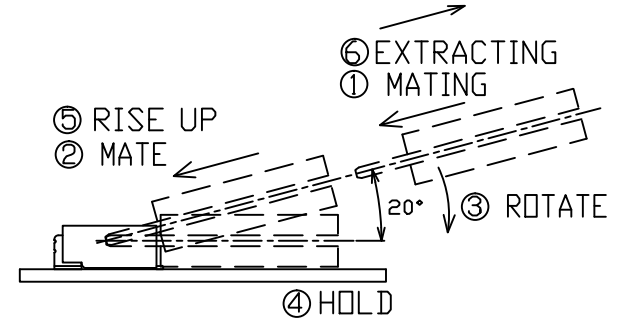
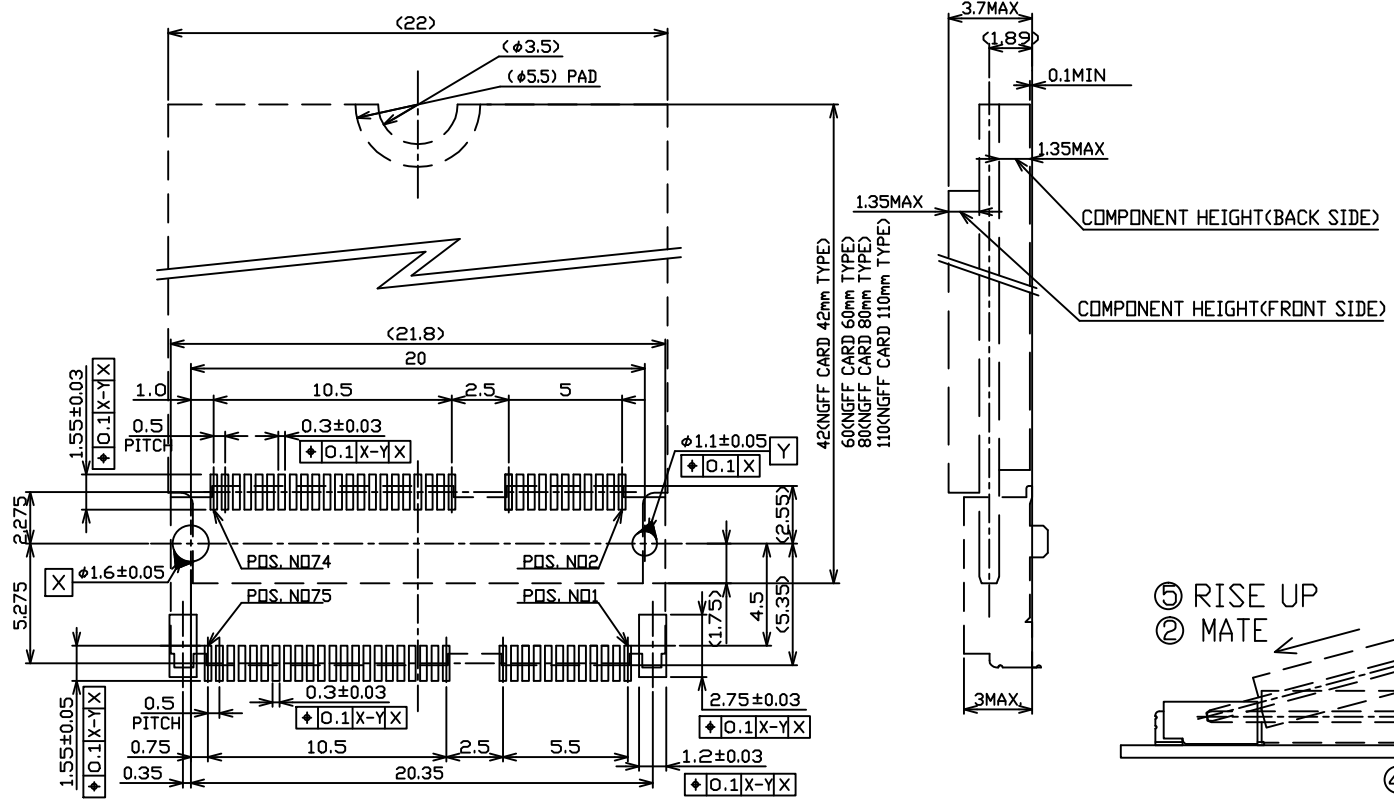


3	HOLDDOWN	Phosphor Bronze, Tin Plating over Nickel	
2	CONTACT	Phosphor Bronze, Gold plating over Nickel	
1	HOUSING	LCP, UL94V-0, Black	
NO. PART NAME		DESCRIPTION	
UNLESS OTHERWISE SPECIFIED TOLERANCE			
UNIT:	DECIMAL	LINEAR	ANGLES
mm	X.	±0.50	±5°
	X.X	±0.25	±3°
	X.XX	±0.12	±1°
DRAWN		Willis	2013/12/09
CHECKED		Angel	2013/12/09
APPROVED		Ken	2013/12/09
SCALE		SHEET	SIZE
3/1		1/4	A4
DRAWN NAME:		M.2 Connector, E key, H3.2mm 0.5Pitch, Gold Flash	
PRODUCT NO.		123A-32EA0-R01	
FILE NAME		123A-32EA0-R01_B_2	



WWW.ATTEND.COM.TW

REV.	DESCRIPTION	DRAWN	DATE
	see sheet one		



KEY ID "E"
RECOMMENDED P.C.BOARD LAYOUT

UNLESS OTHERWISE SPECIFIED TOLERANCE

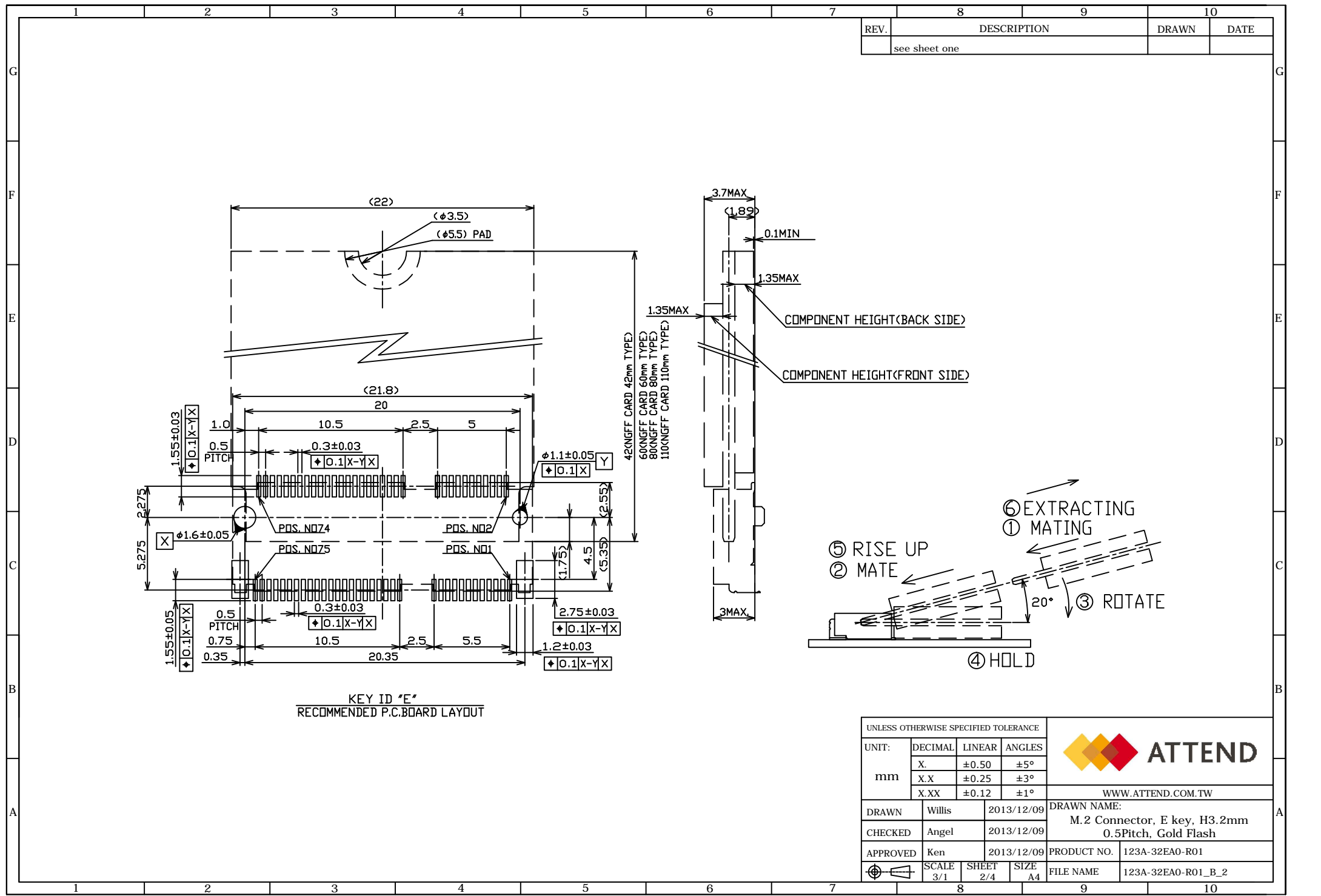
UNIT:	DECIMAL	LINEAR	ANGLES
mm	X.	±0.50	±5°
	X.X	±0.25	±3°
	X.XX	±0.12	±1°

DRAWN	Willis	2013/12/09
CHECKED	Angel	2013/12/09
APPROVED	Ken	2013/12/09
SCALE	3/1	SHEET 2/4
		SIZE A4

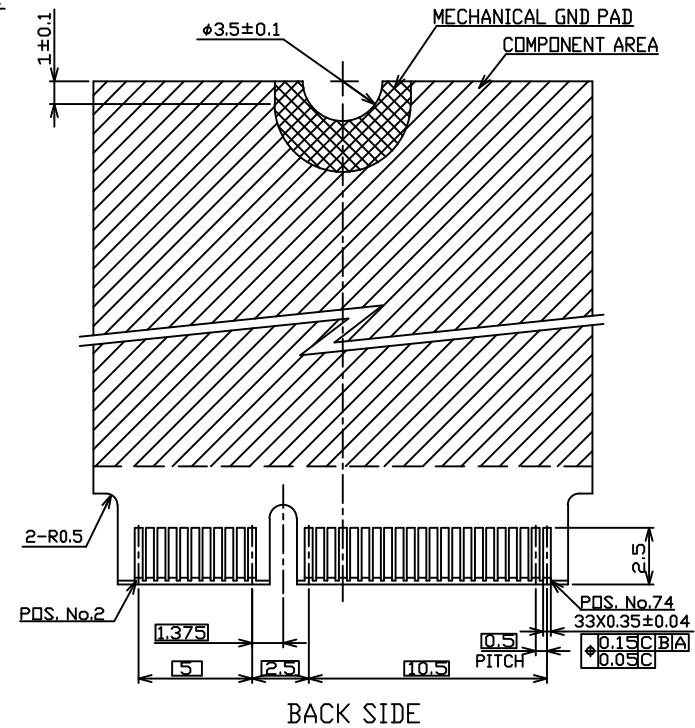
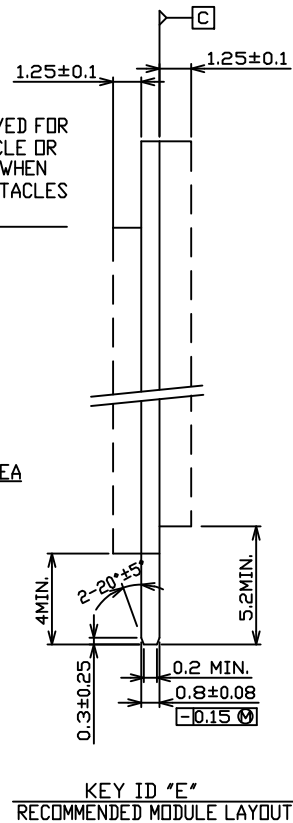
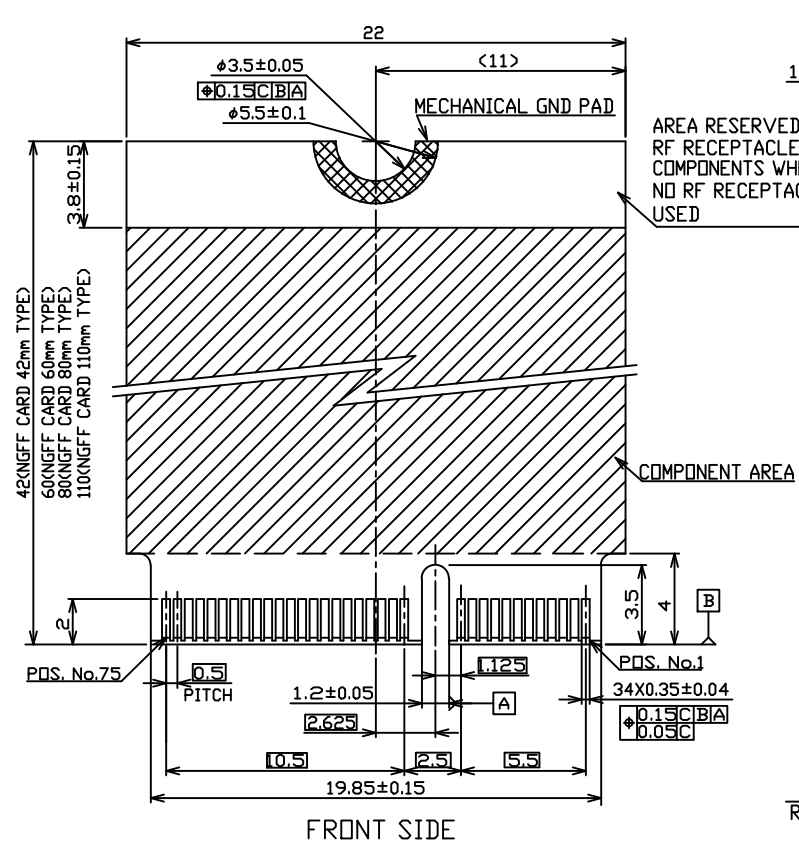
ATTEND

WWW.ATTEND.COM.TW

DRAWN NAME:	
M.2 Connector, E key, H3.2mm 0.5Pitch, Gold Flash	
PRODUCT NO.	123A-32EA0-R01
FILE NAME	123A-32EA0-R01_B_2



REV.	DESCRIPTION	DRAWN	DATE
	see sheet one		



UNLESS OTHERWISE SPECIFIED TOLERANCE

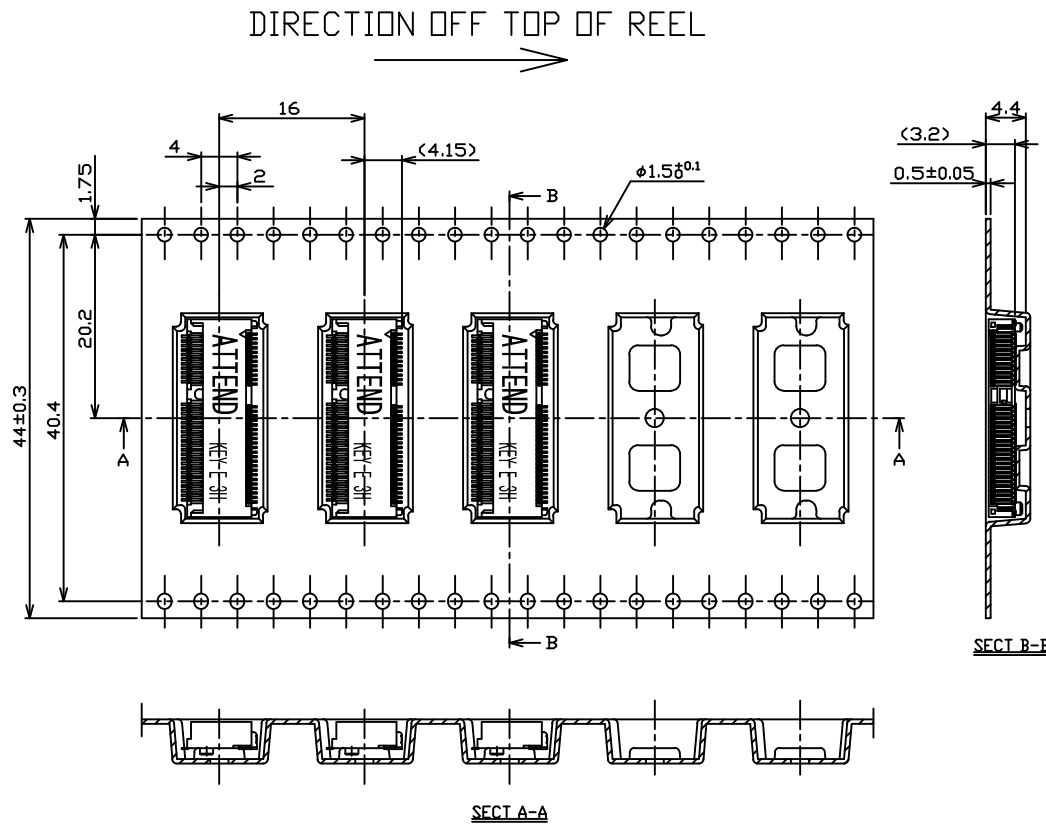
UNIT:	DECIMAL	LINEAR	ANGLES
mm	X.	±0.50	±5°
	X.X	±0.25	±3°
	X.XX	±0.12	±1°



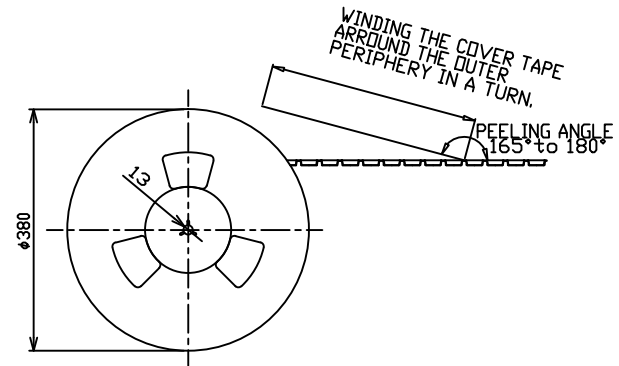
WWW.ATTEND.COM.TW


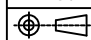
DRAWN	Willis	2013/12/09	DRAWN NAME:
CHECKED	Angel	2013/12/09	M.2 Connector, E key, H3.2mm 0.5Pitch, Gold Flash
APPROVED	Ken	2013/12/09	PRODUCT NO. 123A-32EA0-R01
SCALE	3/1	SHEET 3/4	SIZE A4
FILE NAME	123A-32EA0-R01_B_2		

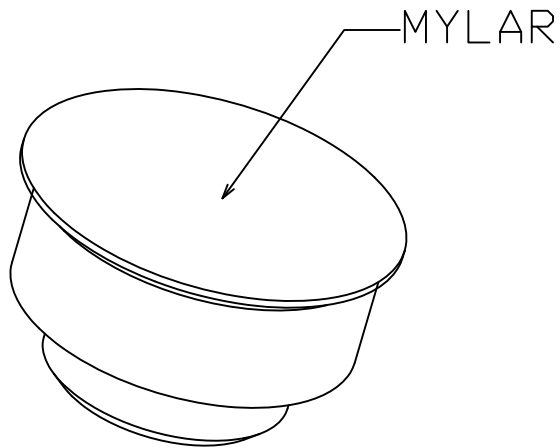
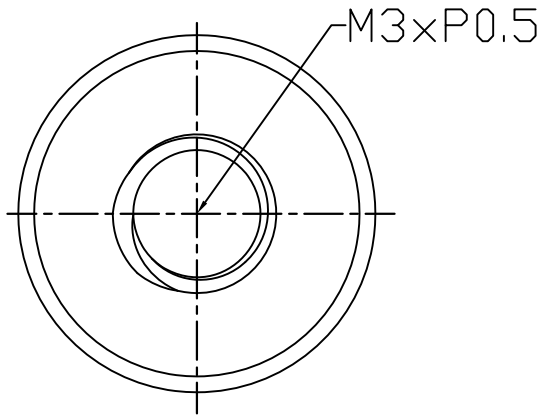
REV.	DESCRIPTION	DRAWN	DATE
	see sheet one		



- NOTES:
1. THE DIRECTION OF EACH CONNECTOR ON A EMBOSS IS REFERED TO THIS DRAWING.
 2. GENERAL TOLERANCE : ±0.5 , ±3°
 3. PACKAGED IN EMBOSS TAPE AND PLASTIC REEL 1200 PCS PRE REEL.

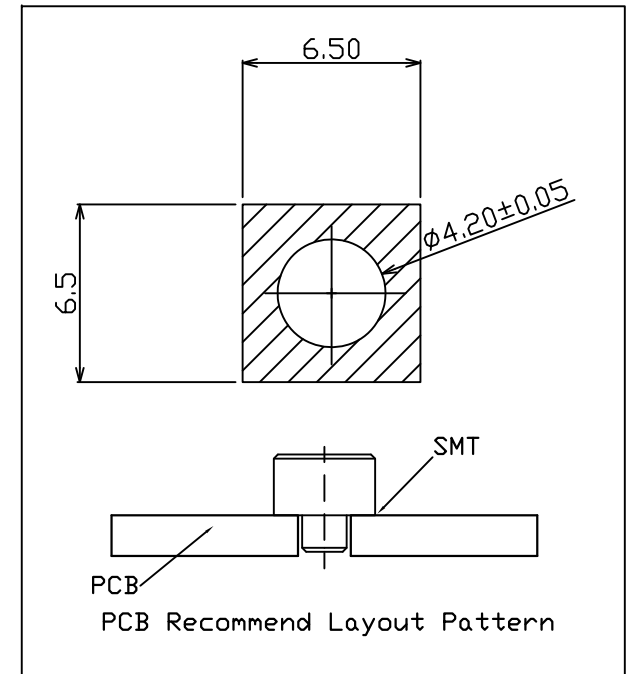
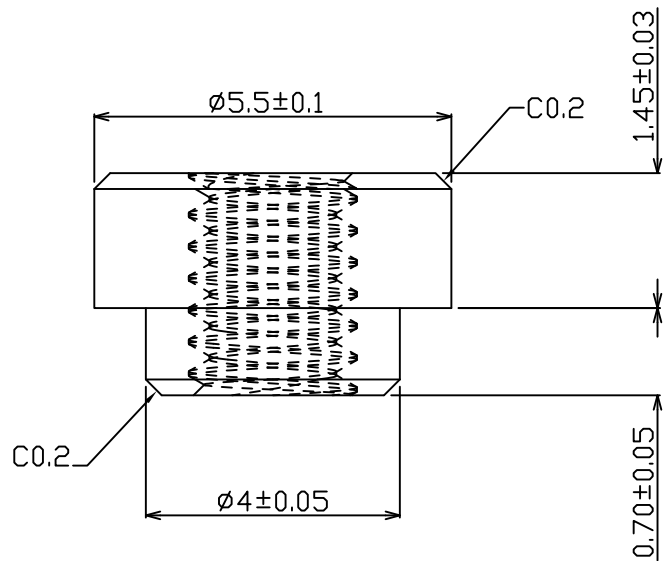


UNLESS OTHERWISE SPECIFIED TOLERANCE				 WWW.ATTEND.COM.TW	
UNIT:	DECIMAL	LINEAR	ANGLES		
mm	X.	±0.50	±5°		
	X.X	±0.25	±3°		
	X.XX	±0.12	±1°		
DRAWN	Willis	2013/12/09	DRAWN NAME:		
CHECKED	Angel	2013/12/09	M.2 Connector, E key, H3.2mm 0.5Pitch, Gold Flash		
APPROVED	Ken	2013/12/09	PRODUCT NO.	123A-32EA0-R01	
	SCALE	SHEET	SIZE	FILE NAME	
	3/1	4/4	A4	123A-32EA0-R01_B_2	



NOTE:

- 1.MATERIAL: Copper Alloy
- 2.Plating: Sn.



REV.	DESCRIPTION	DATE	REV.	DESCRIPTION	DATE	UNLESS OTHERWISE SPECIFIED TOLERANCE	 www.attend.com.tw	
						ANGLES	ANG.	±5°
						LINEAR	0.	±0.3
							0.0	±0.25
							0.00	±0.20
						SCALE	AS SHOWN	UNIT: mm
A	Revise:					DRAWN	Willis	2013/08/06
	Revise:					CHECKED	Angel	2013/08/06
	Revise:					APPROVED	Ken	2013/08/06
						SIZE	A4	REV. 1.0
						FILE NAME	123A-NUT-32_B_1	
						PRODUCT NO.	123A-NUT-32	
						DRAWN NAME: M.2 Connector Stand Off		

$\phi 5.5^{+0}_{-0.5}$

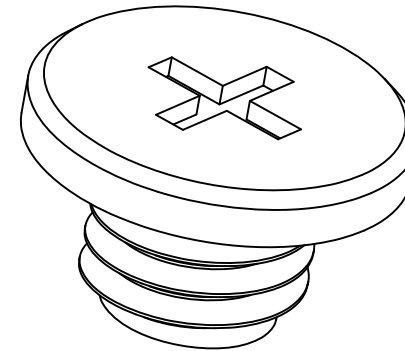
#1

$\phi 5.5^{+0}_{-0.5}$

0.8 ± 0.1

$2.5^{+0}_{-0.3}$

M3.0*P0.50



Note:
 1.Material: Low-carbon steel
 2.Plating: Nickel

UNLESS OTHERWISE SPECIFIED TOLERANCE		
ANGLES	ANG.	±5°
LINEAR	0.	±0.3
	0.0	±0.25
	0.00	±0.20
SCALE	AS SHOWN	UNIT: mm
DRAWN	Willis	2013/08/06
CHECKED	Angel	2013/08/06
APPROVED	Ken	2013/08/06



www.attend.com.tw

REV.	DESCRIPTION	DATE	REV.	DESCRIPTION	DATE
1					
2					
3					
4					
5					
6					
7					

A ⚠ Revise: ⚠ Revise: ⚠ Revise:	DRAWN NAME: M.2 Series Screw	PRODUCT NO. 123A-SCREW
SIZE A4	REV. 1.0	FILE NAME 123A-SCREW_B_1