

REV.	DESCRIPTION	DRAWN	DATE
1	INITIAL RELEASE	FROS	2015/03/31
2	Revised Packing	FROS	2015/08/10

SPECIFICATION:

1. ELECTRICAL

- 1.1 Current Rating: 0.5A per pin
- 1.2 Voltage Rating: 50VDC
- 1.3 Contact Resistance: 55mΩ Max
- 1.4 Insulation Resistance: 500MΩ Min
- 1.5 Dielectric Withstanding Voltage: 300VAC

2. MECHANICAL

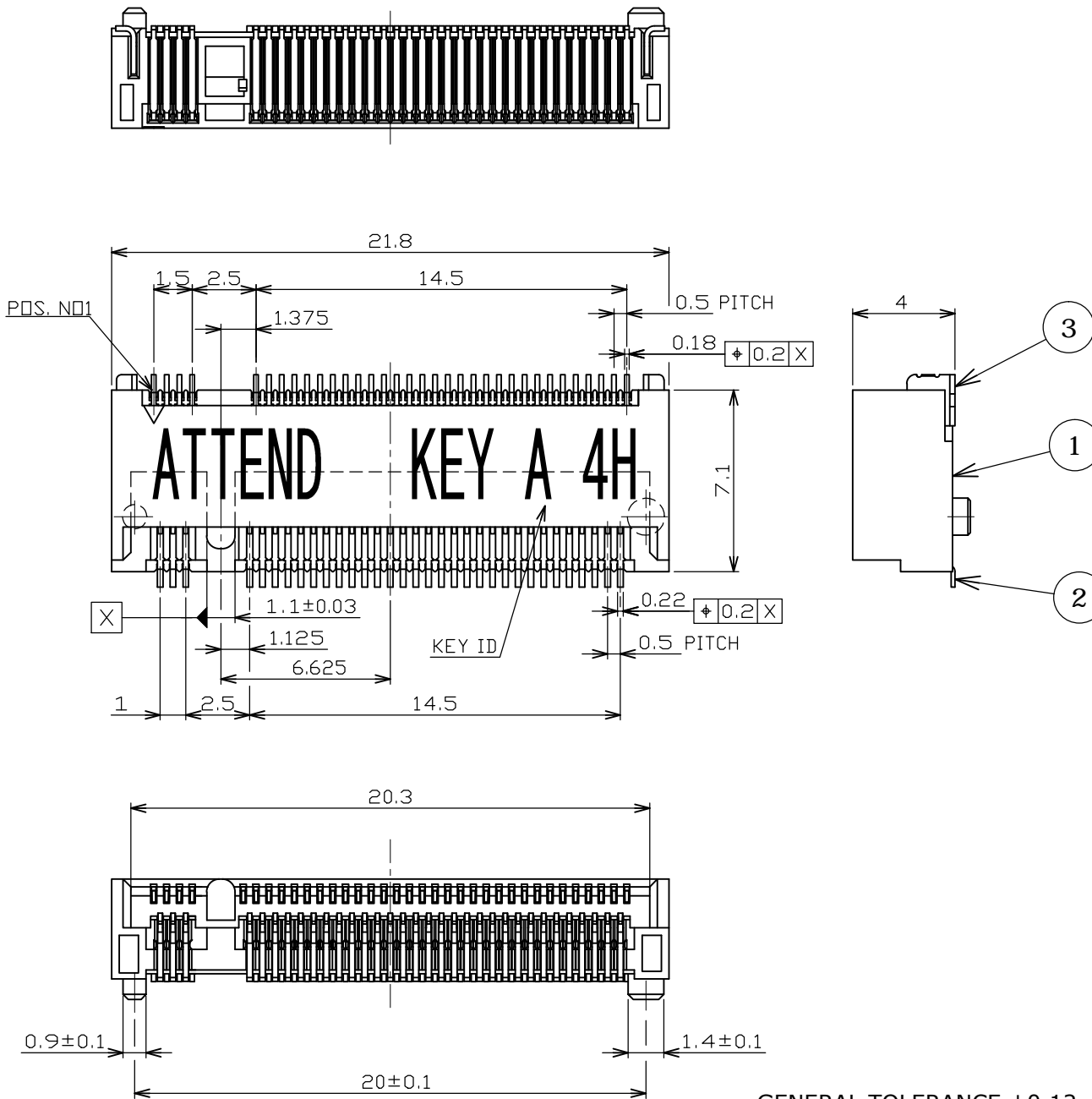
- 2.1 Durability: 200 Cycle
- 2.2 Insertion Force: 20N max.
- 2.3 Extraction Force: 25N max.

3. ENVIRONMENTAL

- 3.1 Operating temperature range: -40°C~+85°C
- 3.2 Storage temperature range: -40°C~+85°C

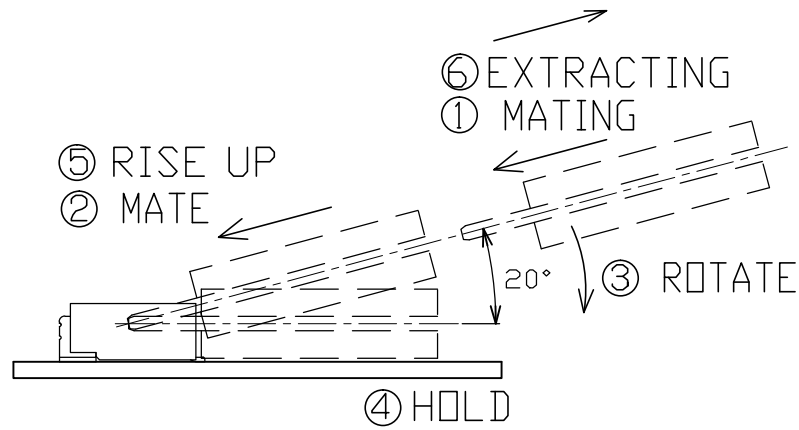
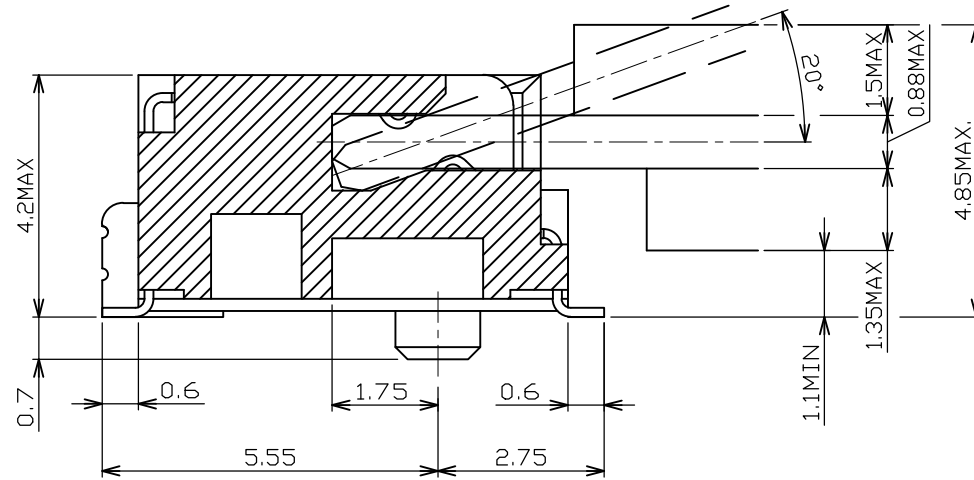
4. SOLDER ABILITY

- 4.1 Recommended IR Reflow (Wave Soldering) Temperature: 260°C
- 4.2 Recommended PCB Thickness: 1.0mm




3	PEG	COPPER ALLOY, GOLD FLASH, UNDER PL 50u" NICKEL PL.	
2	TERMINAL	COPPER ALLOY, GOLD FLASH, UNDER PL 50u" NICKEL PL.	
1	HOUSING	HIGH TEMPERATURE THERMO PLASTIC UL94V-0	
NO.	PART NAME	DESCRIPTION	
UNLESS OTHERWISE SPECIFIED TOLERANCE			
UNIT:	DECIMAL	LINEAR	ANGLES
	X.	±0.50	±5°
	X.X	±0.25	±3°
mm	X.XX	±0.12	±1°
	WWW.ATTEND.COM.TW		
DRAWN	Fros	2015/3/30	DRAWN NAME:
CHECKED	Ron	2015/3/30	M.2 CONNECTOR KEY ID " A "
APPROVED	Albert	2015/3/30	0.5MM PITCH 4H ASS'Y
SCALE	4/1	SHEET	1/5
SIZE	A4	PRODUCT NO.	123A-42AA0-R01
FILE NAME	123A-42AA0-R01_B_1		

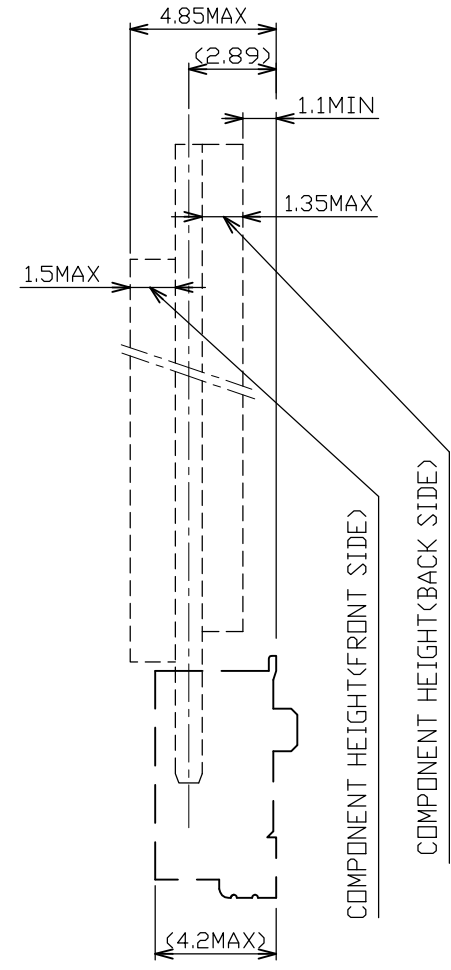
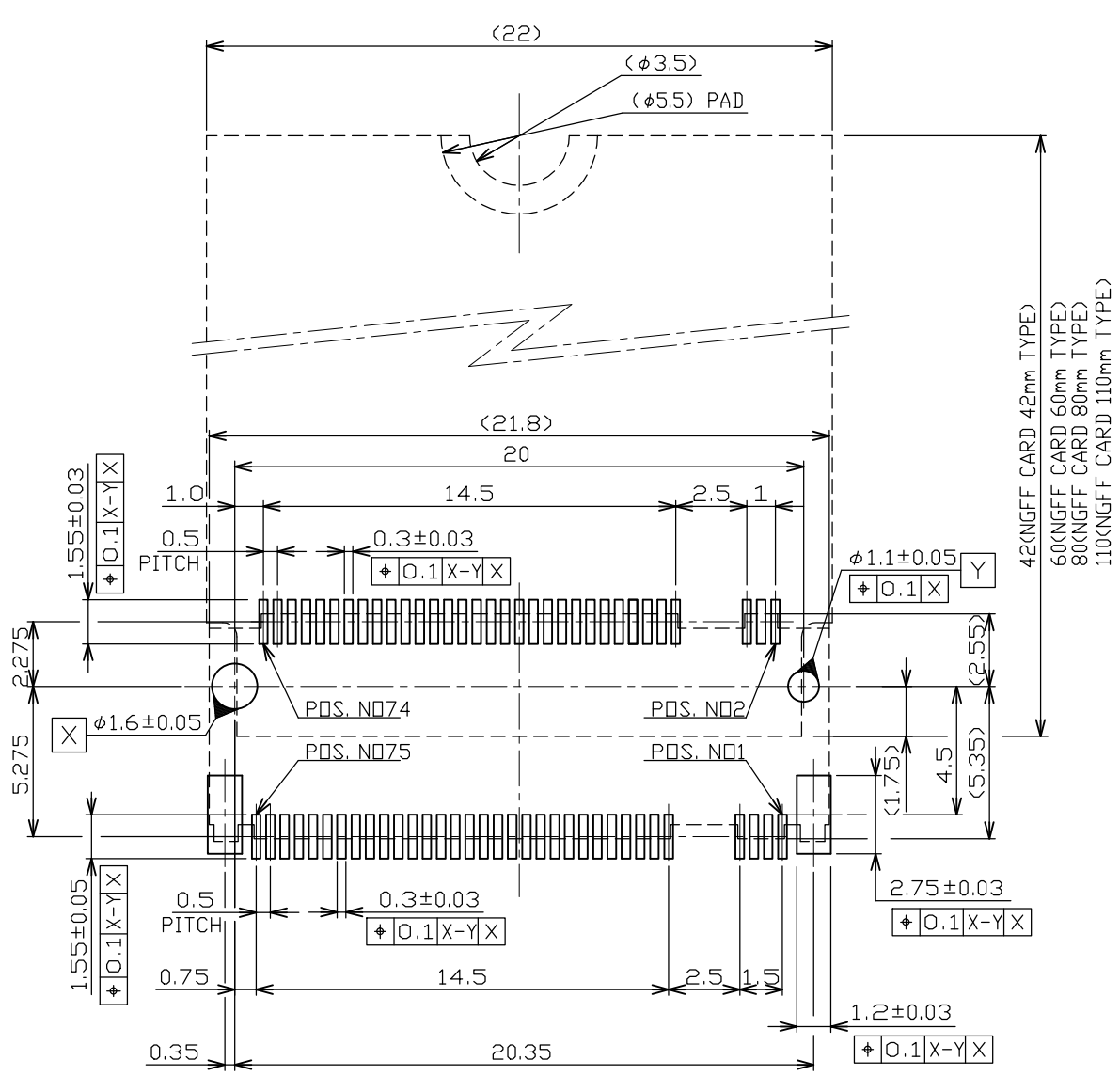
REV.	DESCRIPTION	DRAWN	DATE
	SEE SHEET ONE		



GENERAL TOLERANCE ±0.12

UNLESS OTHERWISE SPECIFIED TOLERANCE				 WWW.ATTEND.COM.TW		
UNIT:	DECIMAL	LINEAR	ANGLES			DRAWN NAME: M.2 CONNECTOR KEY ID " A" 0.5MM PITCH 4H ASS'Y
mm	X.	±0.50	±5°			
	X.X	±0.25	±3°			
	X.XX	±0.12	±1°			
DRAWN	Fros	2015/3/30	PRODUCT NO. 123A-42AA0-R01			
CHECKED	Ron	2015/3/30	FILE NAME 123A-42AA0-R01_B_1			
APPROVED	Albert	2015/3/30				
SCALE 4/1		SHEET 2/5	SIZE A4			

REV.	DESCRIPTION	DRAWN	DATE
	SEE SHEET ONE		



KEY ID "A"
RECOMMENDED P.C.BOARD LAYOUT

GENERAL TOLERANCE ±0.10

UNLESS OTHERWISE SPECIFIED TOLERANCE

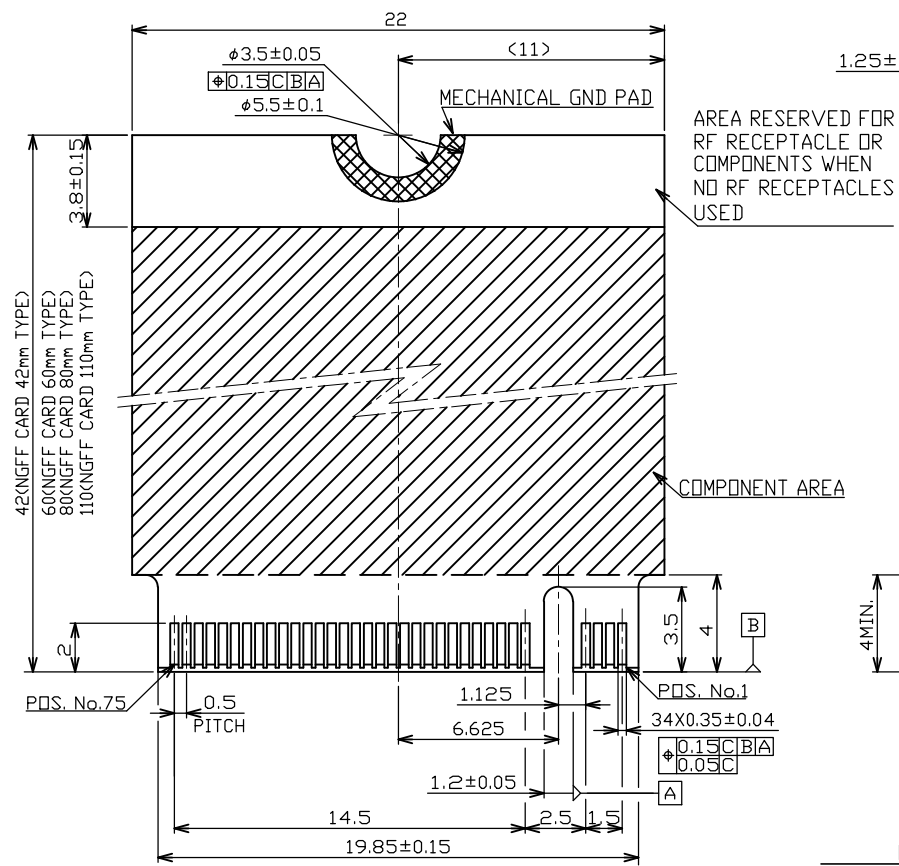
UNIT:	DECIMAL	LINEAR	ANGLES
mm	X.X	±0.50	±5°
	X.XX	±0.25	±3°
	X.XXX	±0.12	±1°



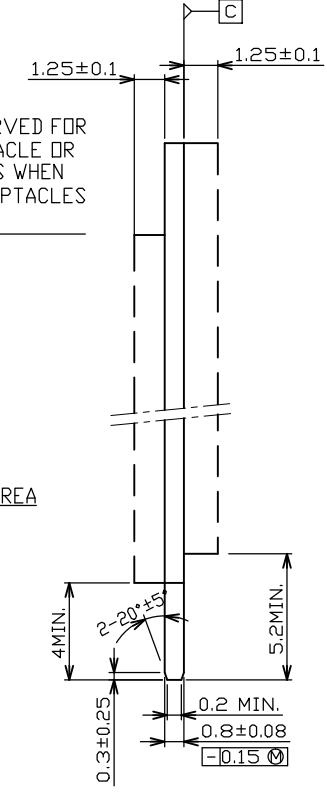
WWW.ATTEND.COM.TW

DRAWN	Fros	2015/3/30	DRAWN NAME:	M.2 CONNECTOR KEY ID "A"
CHECKED	Ron	2015/3/30		0.5MM PITCH 4H ASS'Y
APPROVED	Albert	2015/3/30	PRODUCT NO.	123A-42AA0-R01
SCALE	4/1	SHEET	3/5	SIZE
				A4
FILE NAME			123A-42AA0-R01_B_1	

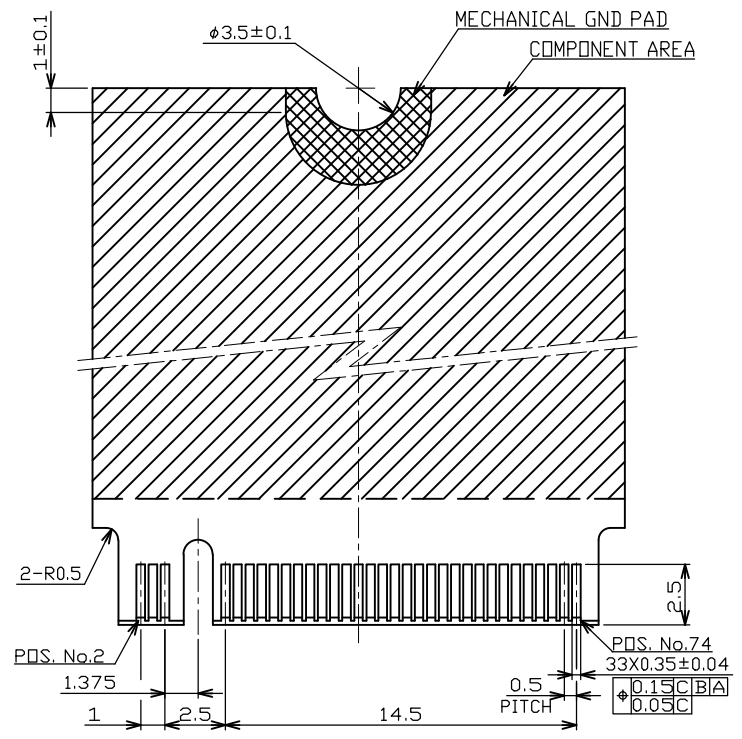
REV.	DESCRIPTION	DRAWN	DATE
	SEE SHEET ONE		



FRONT SIDE



KEY ID "A"
RECOMMENDED MODULE LAYOUT



BACK SIDE

GENERAL TOLERANCE ±0.15

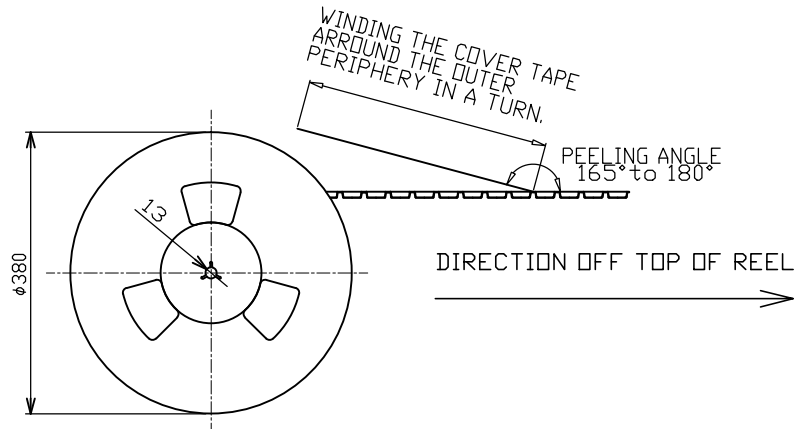
UNLESS OTHERWISE SPECIFIED TOLERANCE			
UNIT:	DECIMAL	LINEAR	ANGLES
mm	X.	±0.50	±5°
	X.X	±0.25	±3°
	X.XX	±0.12	±1°



WWW.ATTEND.COM.TW

DRAWN	Fros	2015/3/30	DRAWN NAME:
CHECKED	Ron	2015/3/30	M.2 CONNECTOR KEY ID "A"
APPROVED	Albert	2015/3/30	0.5MM PITCH 4H ASS'Y
SCALE	3.2	SHEET	4/5
SIZE	A4	PRODUCT NO.	123A-42AA0-R01
FILE NAME		123A-42AA0-R01_B_1	

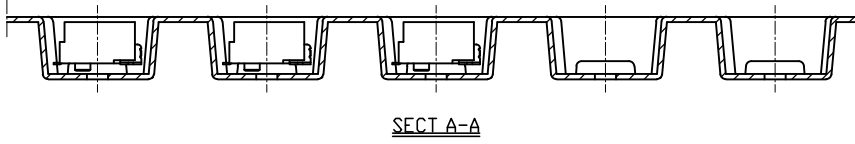
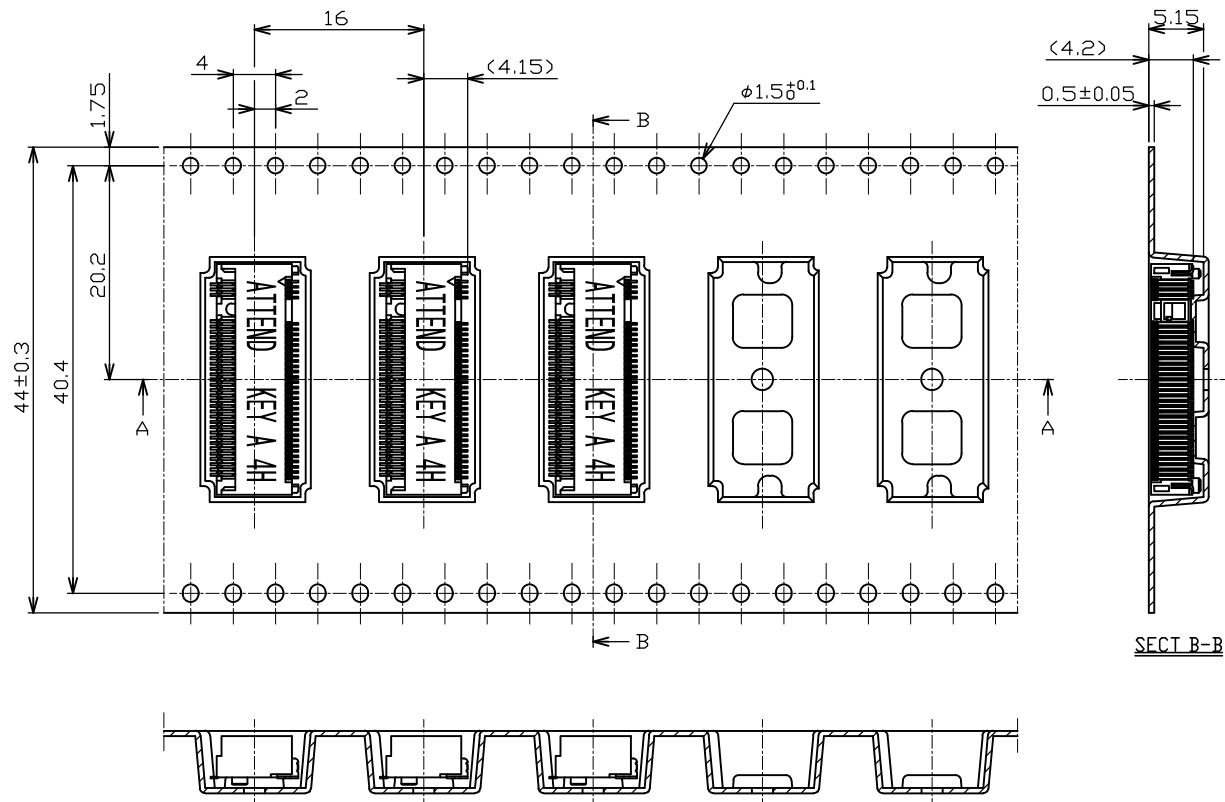
REV.	DESCRIPTION	DRAWN	DATE
	SEE SHEET ONE		




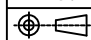
PACKAGING SPECIFICATION:

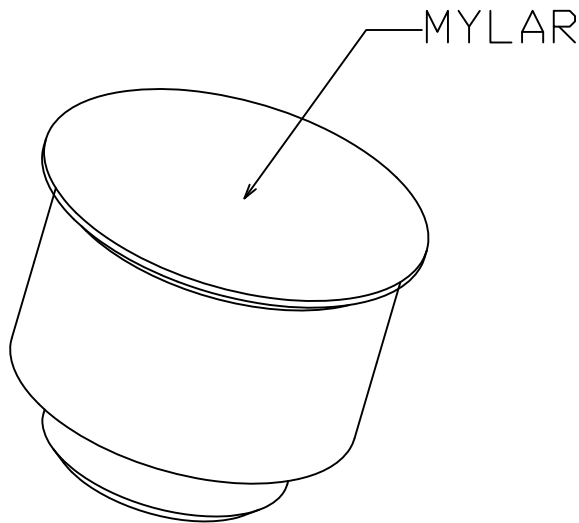
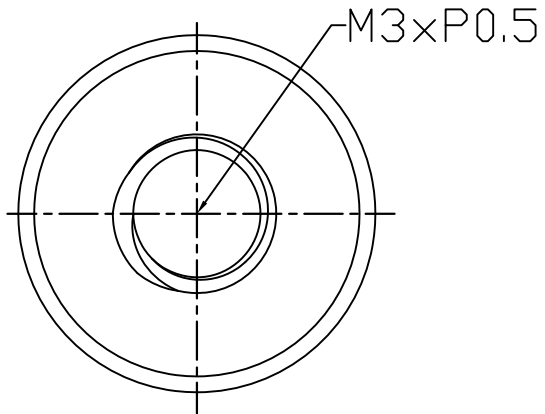
1. MATERIAL
 - 1.1 Embossed Carrier Tape: PS Black
 - 1.2 Top Cover Tape: PET
0.1N-1.3N (Peel Speed 300mm/Minute)
 - 1.3 Taping Reel: PS Blue

2. PACKING
 - 2.1 Quantity:
 - 1,000 Piece / Reel
 - 6 Reel / Carton
 - △ 2 6,000 Piece / Outer Carton
 - 2.2 Net Weight: 4.2Kg
 - 2.3 Gross Weight: 6.4Kg / Carton



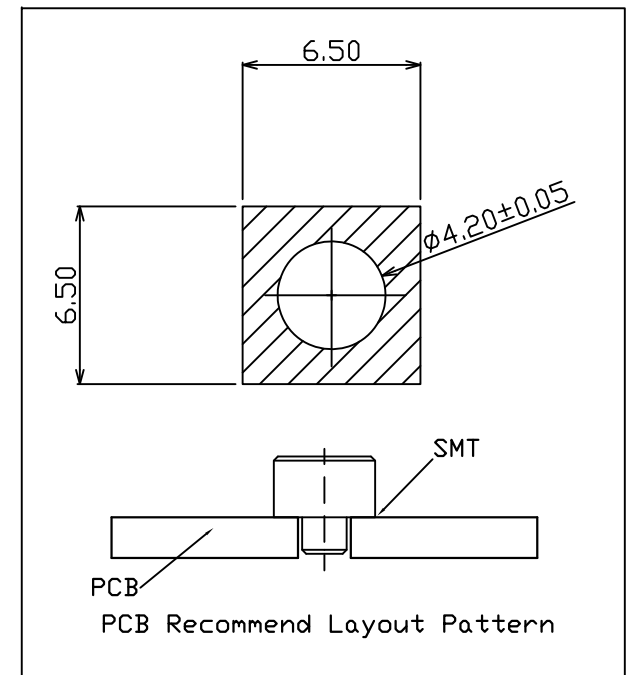
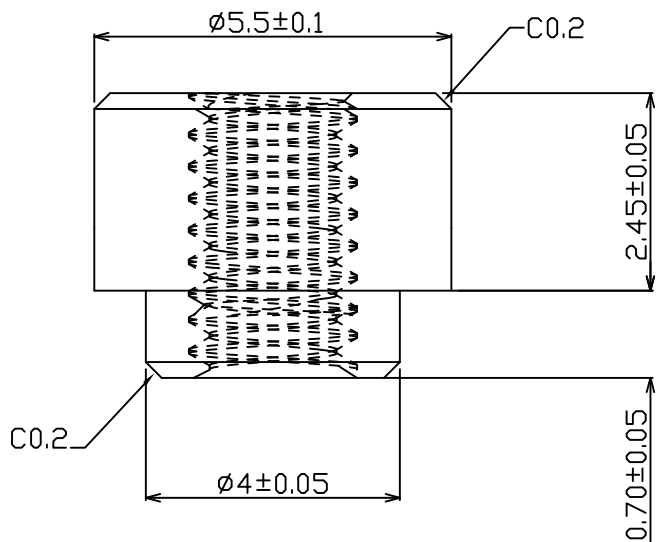
GENERAL TOLERANCE ±0.5

UNLESS OTHERWISE SPECIFIED TOLERANCE				 WWW.ATTEND.COM.TW
UNIT:	DECIMAL	LINEAR	ANGLES	
mm	X.	±0.50	±5°	
	X.X	±0.25	±3°	
	X.XX	±0.12	±1°	
DRAWN	Fros	2015/3/30	DRAWN NAME:	
CHECKED	Ron	2015/3/30	M.2 CONNECTOR KEY ID " A "	
APPROVED	Albert	2015/3/30	0.5MM PITCH 4H ASS'Y	
	SCALE	SHEET	SIZE	PRODUCT NO.
	1.4	5/5	A4	123A-42AA0-R01
			FILE NAME	123A-42AA0-R01_B_1



NOTE:

- 1.MATERIAL: Copper Alloy
- 2.Plating: Sn.



						UNLESS OTHERWISE SPECIFIED TOLERANCE			 www.attend.com.tw	
						ANGLES	ANG.	$\pm 5^\circ$		
						LINEAR	0.	± 0.3		
							0.00	± 0.25		
						SCALE	AS SHOWN	UNIT: mm		
						DRAWN	Willis	2013/11/13	DRAWN NAME:	
						CHECKED	Angel	2013/11/13	M.2 Connector Stand Off	
						APPROVED	Ken	2013/11/13	PRODUCT NO.	123A-NUT-42
REV.	DESCRIPTION		DATE	REV.	DESCRIPTION		DATE	SIZE	REV.	FILE NAME
1				4				A4	1.0	123A-NUT-42_B_1

A

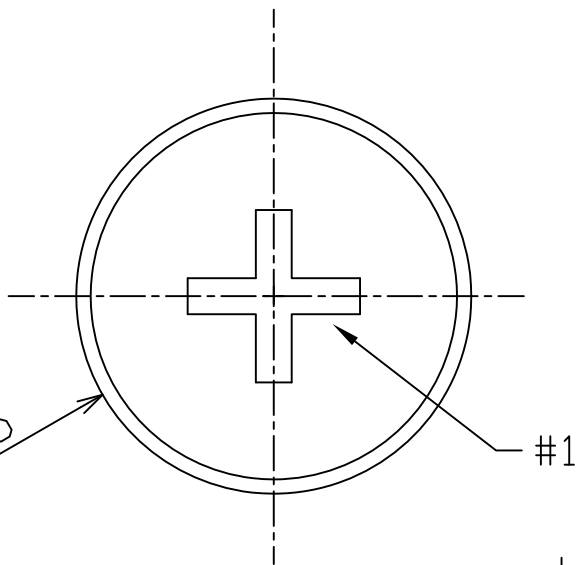
A

A

A

A

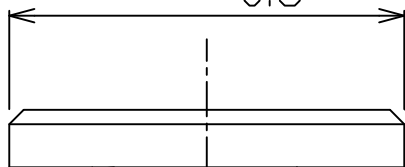
$\phi 5.5^{+0}_{-0.5}$



#1

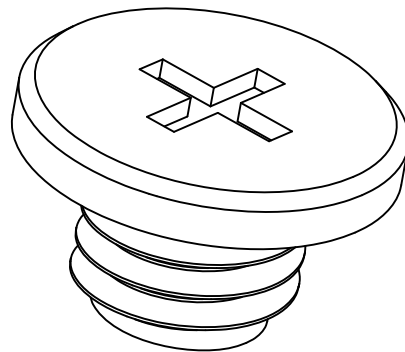
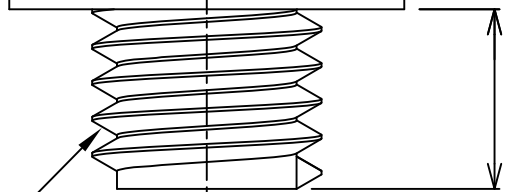
$\phi 5.5^{+0}_{-0.5}$

0.8 ± 0.1



$2.5^{+0}_{-0.3}$

M3.0*P0.50



Note:
 1.Material: Low-carbon steel
 2.Plating: Nickel

UNLESS OTHERWISE SPECIFIED TOLERANCE		
ANGLES	ANG.	±5°
LINEAR	0.	±0.3
	0.0	±0.25
	0.00	±0.20
SCALE	AS SHOWN	UNIT: mm
DRAWN	Willis	2013/08/06
CHECKED	Angel	2013/08/06
APPROVED	Ken	2013/08/06



www.attend.com.tw

DRAWN NAME: M.2 Series Screw

PRODUCT NO. 123A-SCREW

FILE NAME 123A-SCREW_B_1

REV.	DESCRIPTION	DATE	REV.	DESCRIPTION	DATE
1					
2					
3					
4					
5					
6					
7					

△ Revise:

△ Revise:

△ Revise:



SIZE A4

REV. 1.0