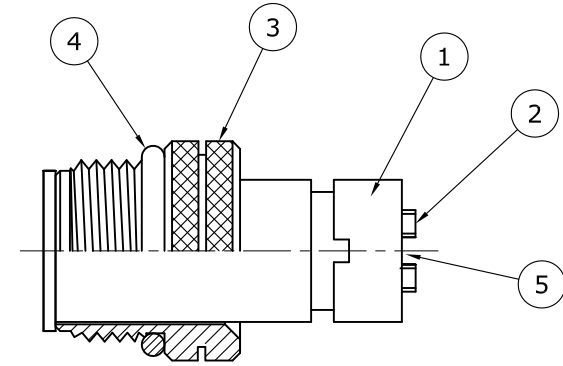
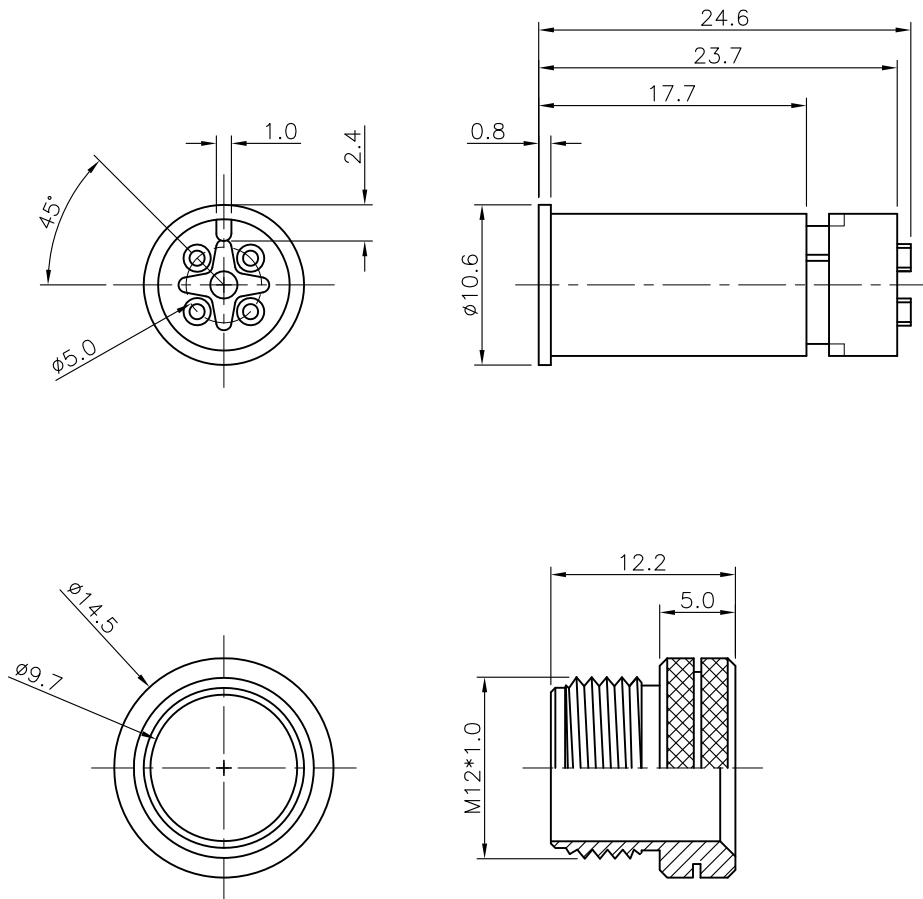



REV.	DESCRIPTION	DRAWN	DATE
1	INITIAL RELEASE	FROS	2016/11/25

SPECIFICATION:

1. Current Rating: 5A
2. Voltage Rating: 125V
3. Waterproof: IPX7
4. Operating temperature range: -40°C~+85°C



5	EPOXY	EF400A & EF400B, Black
4	O-RING	EPDM, Black
3	NUT	Brass, Nickel plating
2	CONTACT	Brass, 10u" Gold plating over Nickel
1	HOUSING	PBT, UL94V-0, Black

NO.		PART NAME		DESCRIPTION	
UNLESS OTHERWISE SPECIFIED TOLERANCE					
UNIT:	DECIMAL	LINEAR	ANGLES	 WWW.ATTEND.COM.TW	
	X.	±0.50	±5°		
	X.X	±0.25	±3°		
	X.XX	±0.12	±1°		
DRAWN	Fros	2016/11/25	DRAWN NAME:		
CHECKED	Tim	2016/11/25	M12 A-Code Plug for Cable, 4Pin Male For Overmold with Cable		
APPROVED	Ken	2016/11/25	PRODUCT NO.	216A-04M00	
SCALE	SHEET	SIZE	FILE NAME	216A-04M00_B_1	
2/1	1/1	A4			