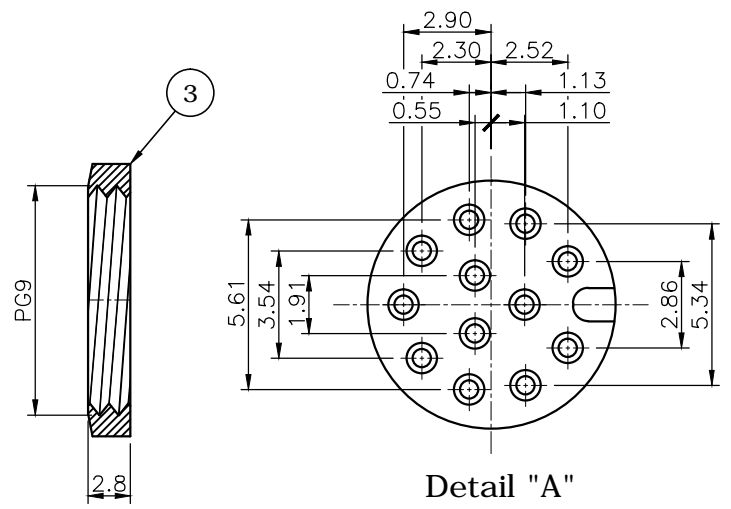
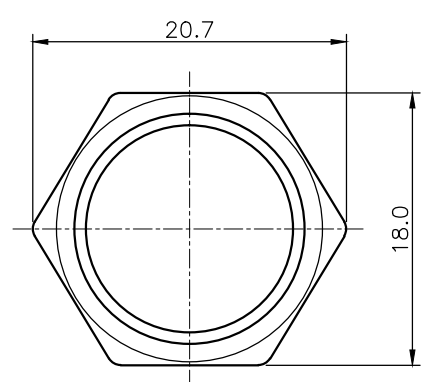
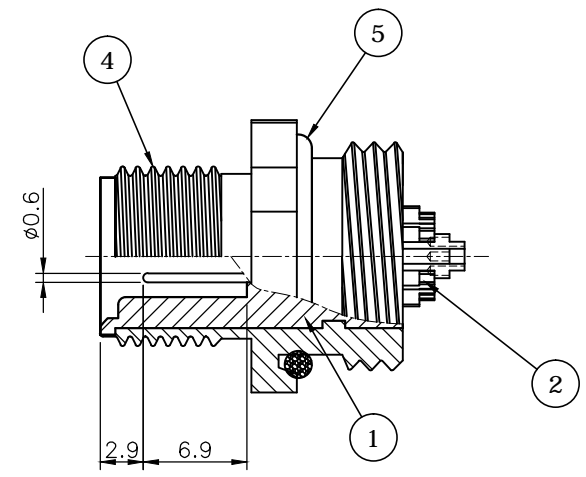
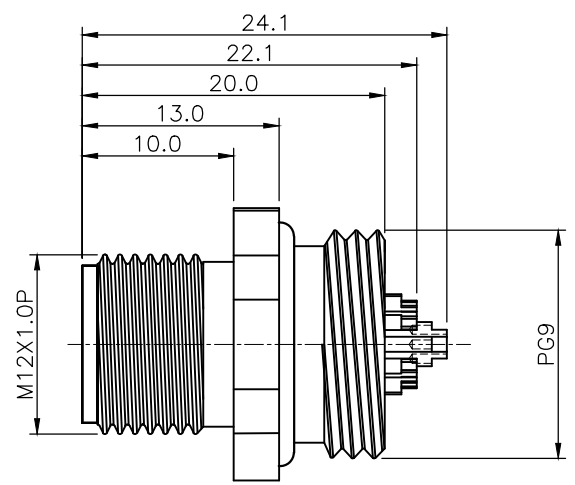
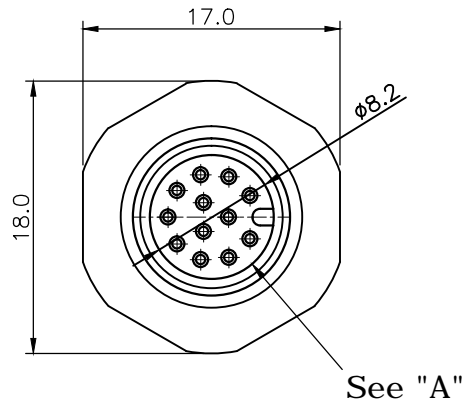


REV.	DESCRIPTION	DRAWN	DATE
1	INITIAL RELEASE	FROS	2015/08/26
2	REVISED LENGTH OF SOLDER PIN	FROS	2015/09/18
3	ECR1700027	TIM	2017/10/26



Detail "A"
Scale 4/1

SPECIFICATION:

1. CURRENT RATING: 5A
2. VOLTAGE: 125V
3. WATER PROOF: IPX7
- △ 4. OPERATION TEMPERATURE: -40°C TO +85°C

5	O-RING	NBR, BLACK
4	SHELL	BRASS, 60u" to 100u" NICKEL PLATED
3	NUT	BRASS, 60u" to 100u" NICKEL PLATED
2	CONTACT	BRASS, 10u" GOLD PLATED UNDER NICKEL
1	HOUSING	PBT, UL94V-0, BLACK
NO.	PART NAME	DESCRIPTION

UNLESS OTHERWISE SPECIFIED TOLERANCE

UNIT:	DECIMAL	LINEAR	ANGLES
mm	X.	±0.50	±5°
	X.X	±0.25	±3°
	X.XX	±0.12	±1°



WWW.ATTEND.COM.TW

DRAWN	Fros	2015/08/26	DRAWN NAME:	M12 A-Code 12Pin Receptacle Male Solder Type, Rear Fastened	
CHECKED	Zola	2015/08/26	PRODUCT NO.	216A-12MAR	
APPROVED	Ken	2015/08/26	FILE NAME	216A-12MAR_B_3	
SCALE	2/1	SHEET	1/1	SIZE	A4