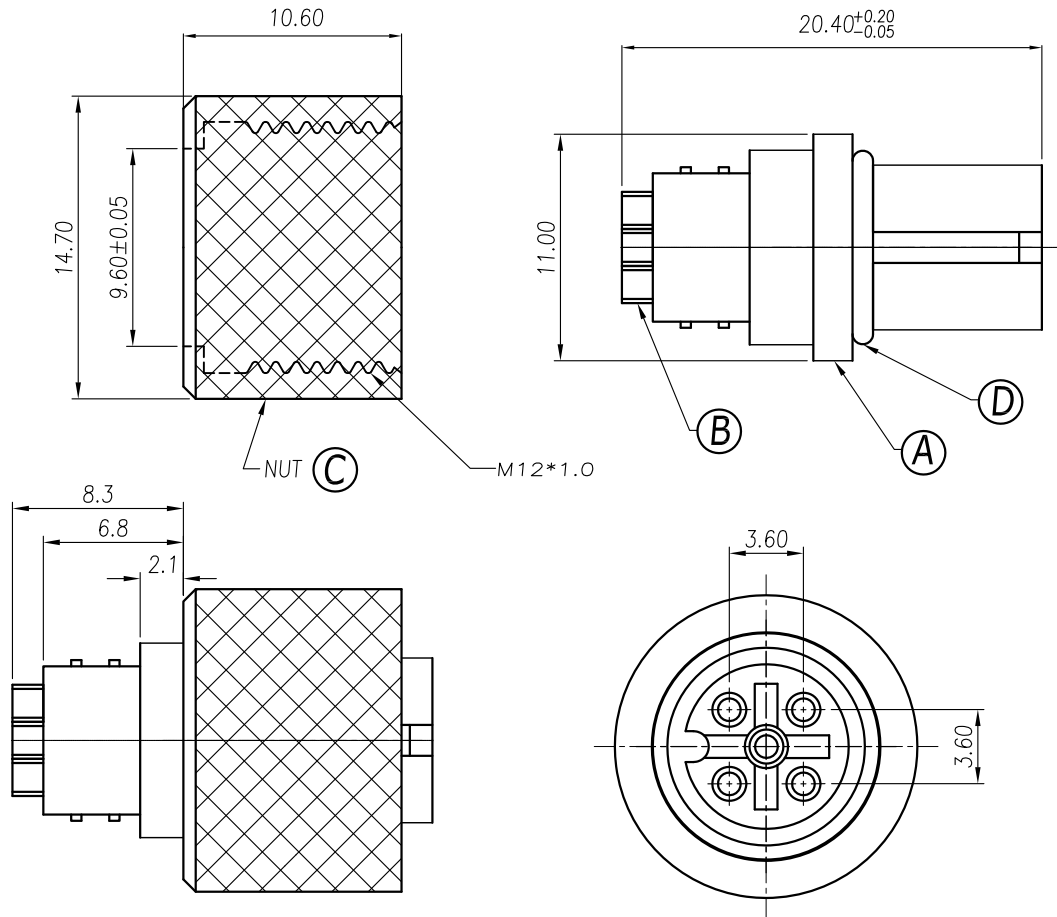


1	2	3	4	5	6	7	8	9	10
SWITCH CIRCUIT			MATERIAL AND FINISH AS BELOW						
WHEN CARD IS EJECTED		WHEN CARD IS INSERTED		A	Housing	PBT UL94V-0, Color: Black	E		
				B	Contact	Brass C3604, Contact Area:10u" Gold Plating Over Nickel	F		
				C	Nut	Brass C3604, Nickel Plated	G		
				D	O-Ring	EPDM Black	H		



SPECIFICATION:

1. ELECTRICAL

1.1 Current Rating: 5A per pin

1.2 Voltage Rating: 125V

1.3 Water Proof: IP X7

2. ENVIRONMENTAL

△ 2.1 Operating temperature range: -40°C ~ +85°C

P1	P2	P3	P4	P5	P6	P7	P8	P9	P10	P11	P12
----	----	----	----	----	----	----	----	----	-----	-----	-----

PIN ASSIGNMENT

216A-05F00
PRODUCT NO.

M12 A- Code Plug for Cable, 5Pin Female For Overmold with Cable, Contact: 10u" Gold Plating
DESCRIPTION

UNLESS OTHERWISE SPECIFIED TOLERANCE		
ANGLES	ANG.	±5°
LINEAR	0.	±0.3
	0.0	±0.25
	0.00	±0.20
SCALE	AS SHOWN	UNIT: mm
DRAWN	Willis	2013/12/24
CHECKED	Angel	2013/12/24
APPROVED	Ken	2013/12/24



www.attend.com.tw

DRAWN NAME: M12 A- Code Plug for Cable
5Pin Female For Overmold with Cable

PRODUCT NO. 216A-05F00

FILE NAME 216A-05F00_B_2

REV.	DESCRIPTION	DATE	REV.	DESCRIPTION	DATE
1			4		
2			5		
3			6		
1	ECR1700027	2017/10/26			
1	INITIAL RELEASE	2013/12/24			



SIZE A4

REV. 1.0