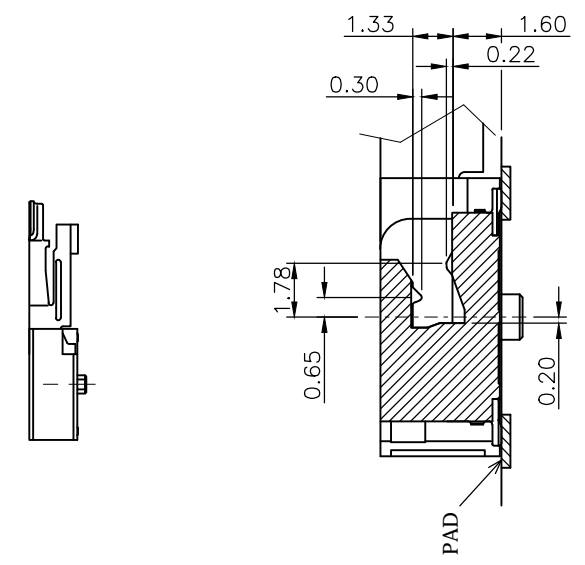
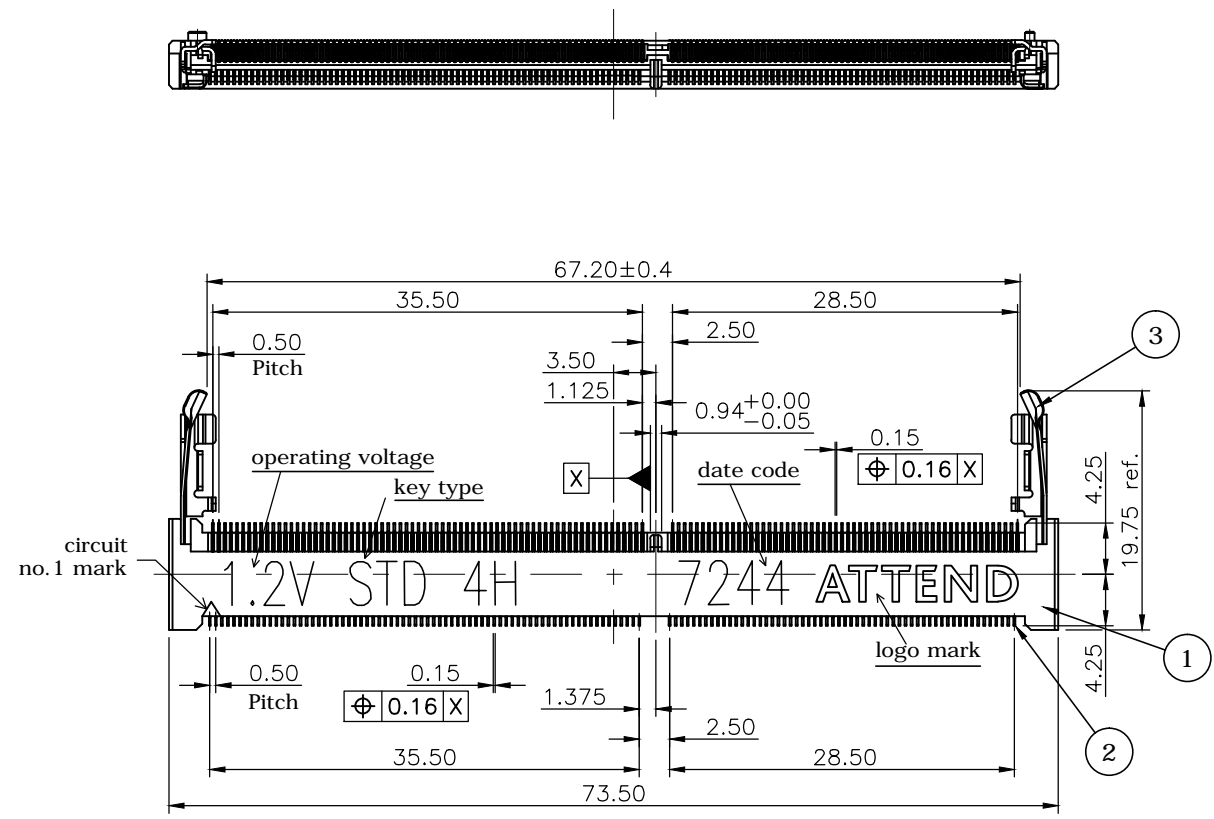
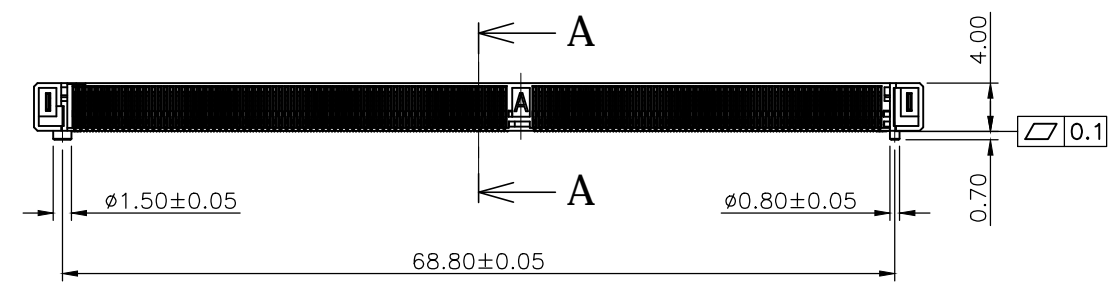



REV.	DESCRIPTION	DRAWN	DATE
1	Initial release	FROS	2017/09/01

DATE CODE: 7244 (YWWDD)
 Y: YEAR (2017)
 WW: WEEK (01~52)
 D: DAY (1~7)




SECTION A-A, SCALE 4/1

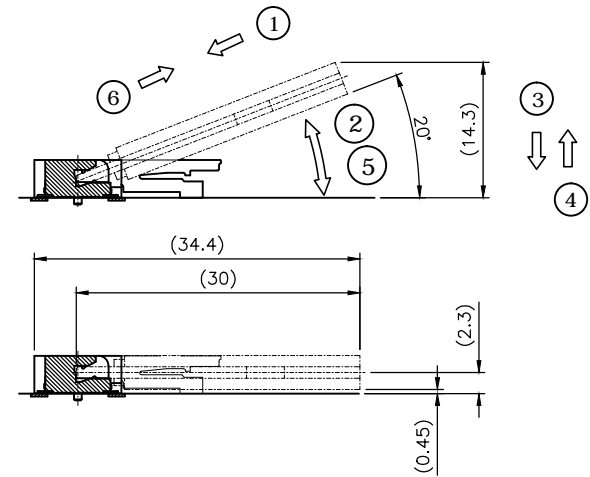
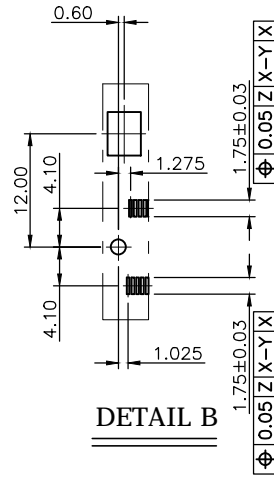


3	LATCH	SUS, matt-tin plating over nickel on solder area	
2	CONTACT	Copper alloy, selective gold plating over nickel	
1	HOUSING	LCP, UL94V-0, Black	
NO. PART NAME		DESCRIPTION	
UNLESS OTHERWISE SPECIFIED TOLERANCE			
UNIT:	DECIMAL	LINEAR	ANGLES
mm	X.	±0.50	±5°
	X.X	±0.25	±3°
	X.XX	±0.12	±1°
			
www.attend.com.tw			
DRAWN	Fros	2017/08/03	DRAWN NAME:
CHECKED	Tim	2017/08/03	DDR4 SODIMM Horizontal Socket
APPROVED	Ken	2017/08/03	4.0H STD, G/F, Black, Reel, Solder Latch
SCALE		SHEET	SIZE
1.6/1		1/2	A4
FILE NAME		124A-40A00_B_1	

REV.	DESCRIPTION	DRAWN	DATE
	SEE SHEET ONE		

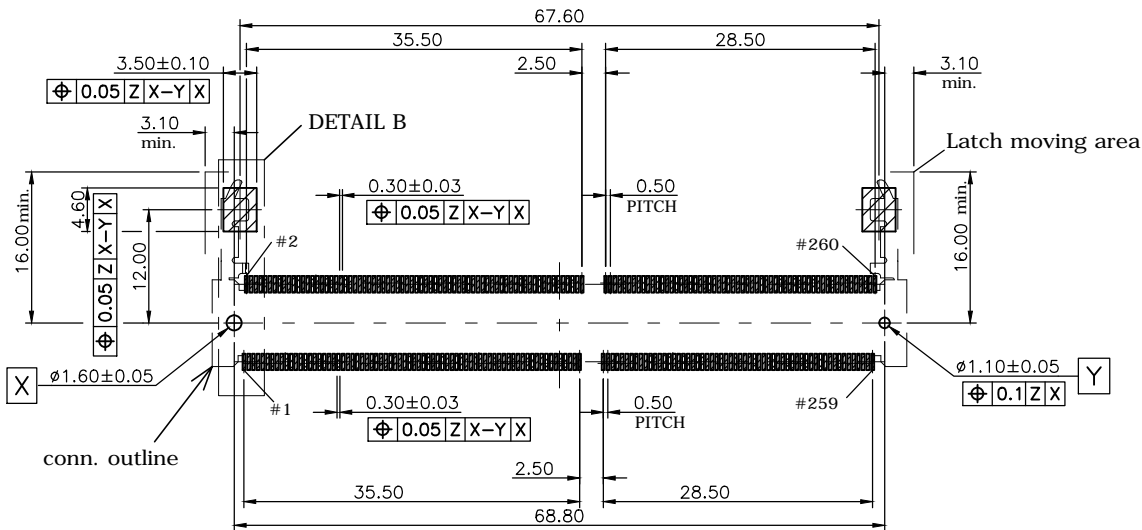
NOTE:

1. A PCB side be DETAM-"Z"
2. Connector outline. no component area.
3. Latch moving area. no component area.
4.  PAD



MATING: ① INSERTING(20°) → ② ROTATING(0°) → ③ FIXED
 UNMATING: ④ UNFIXED → ⑤ RISE UP (20°) → ⑥ EXTRACTING

MATING/UNMATING VIEW



RECOMMENDED LAYOUT (TOP VIEW)
GENERAL TOLERANCE: ±0.05

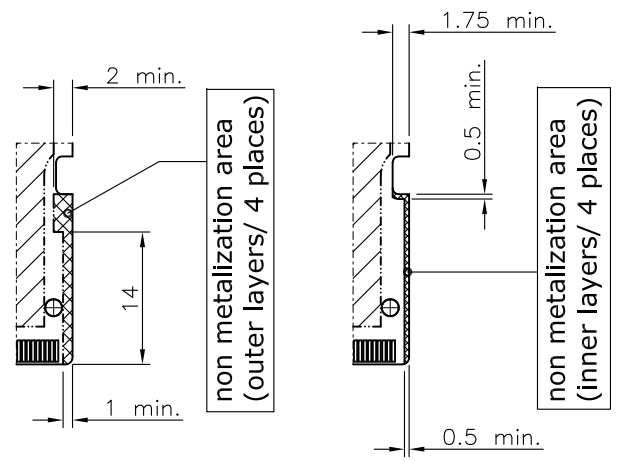
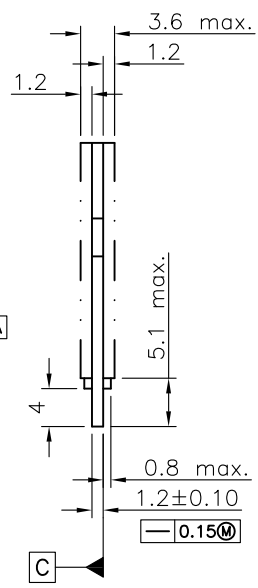
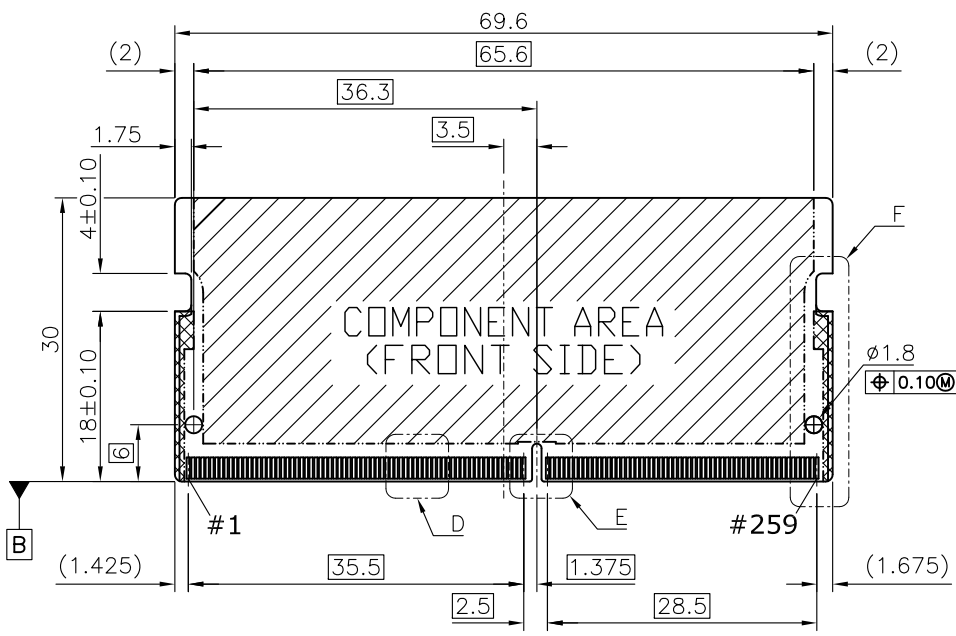
UNLESS OTHERWISE SPECIFIED TOLERANCE			
UNIT:	DECIMAL	LINEAR	ANGLES
mm	X.	±0.50	±5°
	X.X	±0.25	±3°
	X.XX	±0.12	±1°



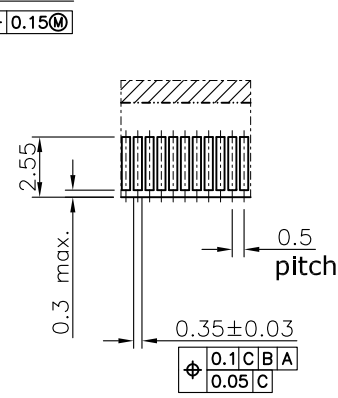
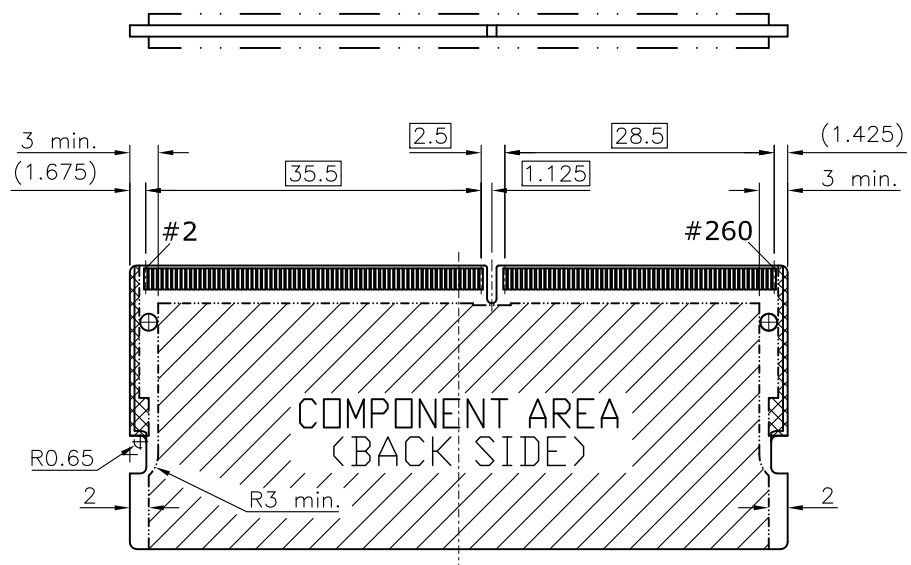
www.attend.com.tw

DRAWN	Fros	2017/08/03	DRAWN NAME:
CHECKED	Tim	2017/08/03	DDR4 SODIMM Horizontal Socket
APPROVED	Ken	2017/08/03	4.0H STD, G/F, Black, Reel, Solder Latch
SCALE	1.25/1	SHEET	2/2
SIZE	A4	PRODUCT NO.	124A-40A00
FILE NAME	124A-40A00_B_1		

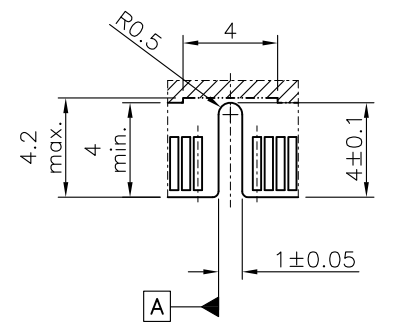
REV.	DESCRIPTION	DRAWN	DATE
1	INITIAL RELEASE	FROS	2017/02/23



Detail F




Detail D
SCALE 3.125

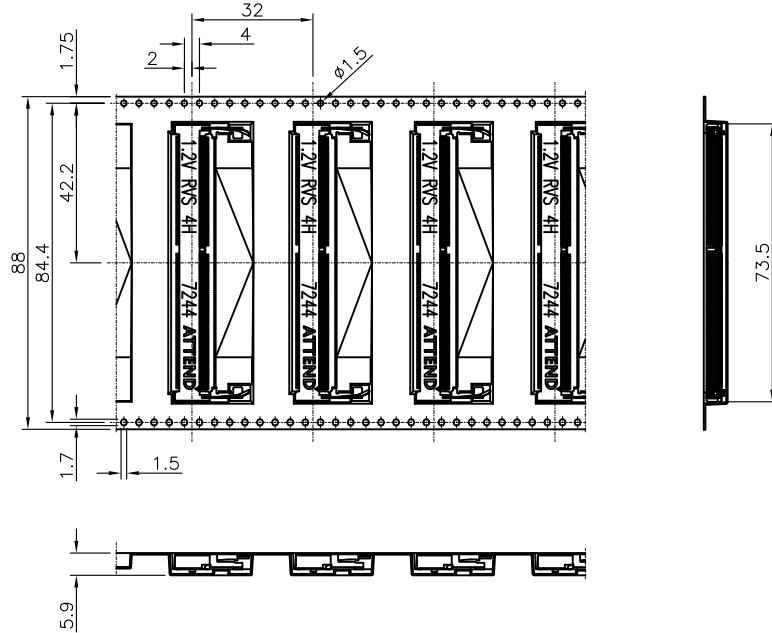
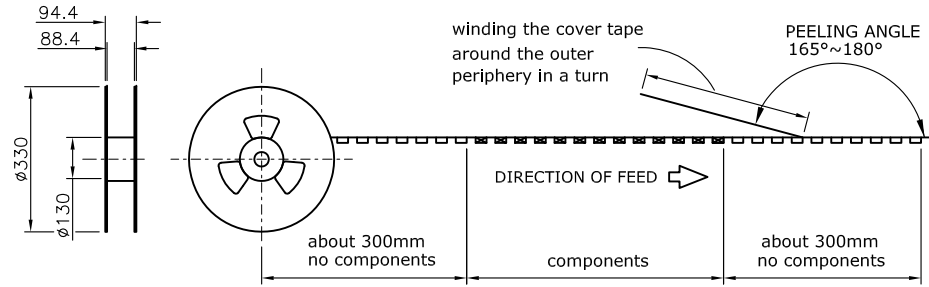


Detail E
SCALE 3.125

Note: tolerance on dimensions is ±0.15 unless otherwise specified.

UNLESS OTHERWISE SPECIFIED TOLERANCE					
UNIT:	DECIMAL	LINEAR	ANGLES		
mm	X.	±0.50	±5°	www.attend.com.tw	
	X.X	±0.25	±3°		
	X.XX	±0.12	±1°		
DRAWN	Fros	2017/02/23	DRAWN NAME: DDR4 SODIMM CARD SPEC.		
CHECKED	Tim	2017/02/23	PRODUCT NO.		
APPROVED	Ken	2017/02/23	FILE NAME 124-CARD_B_1		
SCALE 1.25/1		SHEET 1/1	SIZE A4		

REV.	DESCRIPTION	DRAWN	DATE
1	INITIAL RELEASE	FROS	2017/08/03
2	Revised to 300 Piece/Reel	FROS	2018/04/30



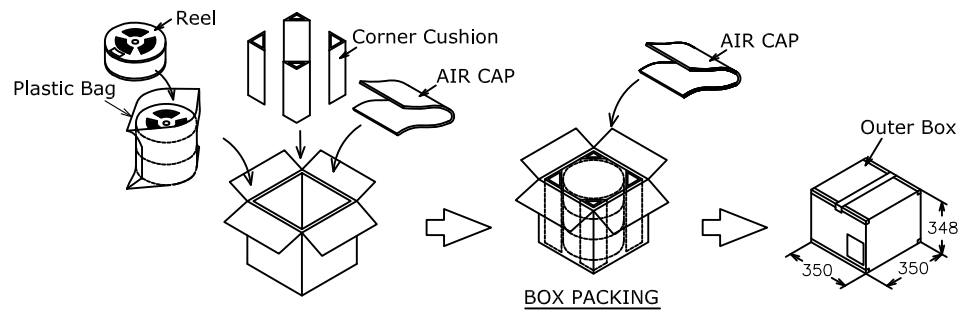
PACKAGING SPECIFICATION:

1. MATERIAL

- 1.1 Embossed Carrier Tape: PS Black
- 1.2 Top Cover Tape: PET
0.1N-1.5N(Peel Speed 300mm/Minute)
- 1.3 Taping Reel: Plastic

2. PACKING

- 2.1 Quantity:
300 Piece/Reel
3 Reel/Carton
900 Piece/Carton
- 2.2 Weight: 6.5Kg



NO.	P/N	Description
1	124A-40A00	DDR4 Horizontal 4.0H, STD, Solder Latch
2	124A-40A10	DDR4 Horizontal 4.0H, RVS, Solder Latch

UNLESS OTHERWISE SPECIFIED TOLERANCE			
UNIT:	DECIMAL	LINEAR	ANGLES
mm	X.	±0.50	±5°
	X.X	±0.25	±3°
	X.XX	±0.12	±1°

DRAWN	Fros	2017/08/03	DRAWN NAME:	
CHECKED	Tim	2017/08/03	Packaging Specifications	
APPROVED	Ken	2017/08/03	PRODUCT NO.	SEE TABLE
SCALE	N/A	SHEET	1/1	SIZE
				A4
FILE NAME			124A-40AX0_D_2	



www.attend.com.tw