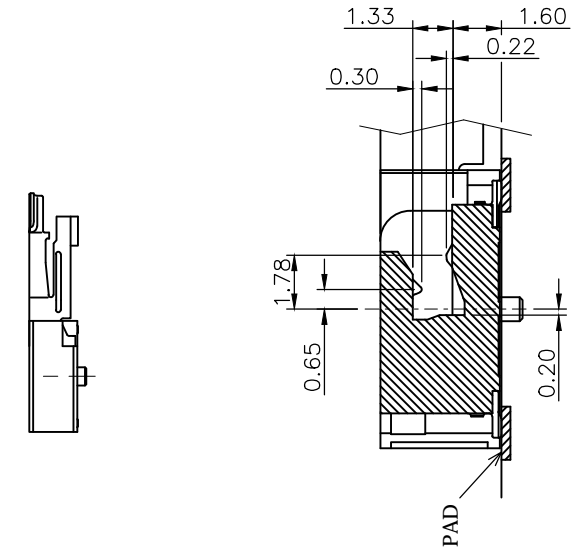
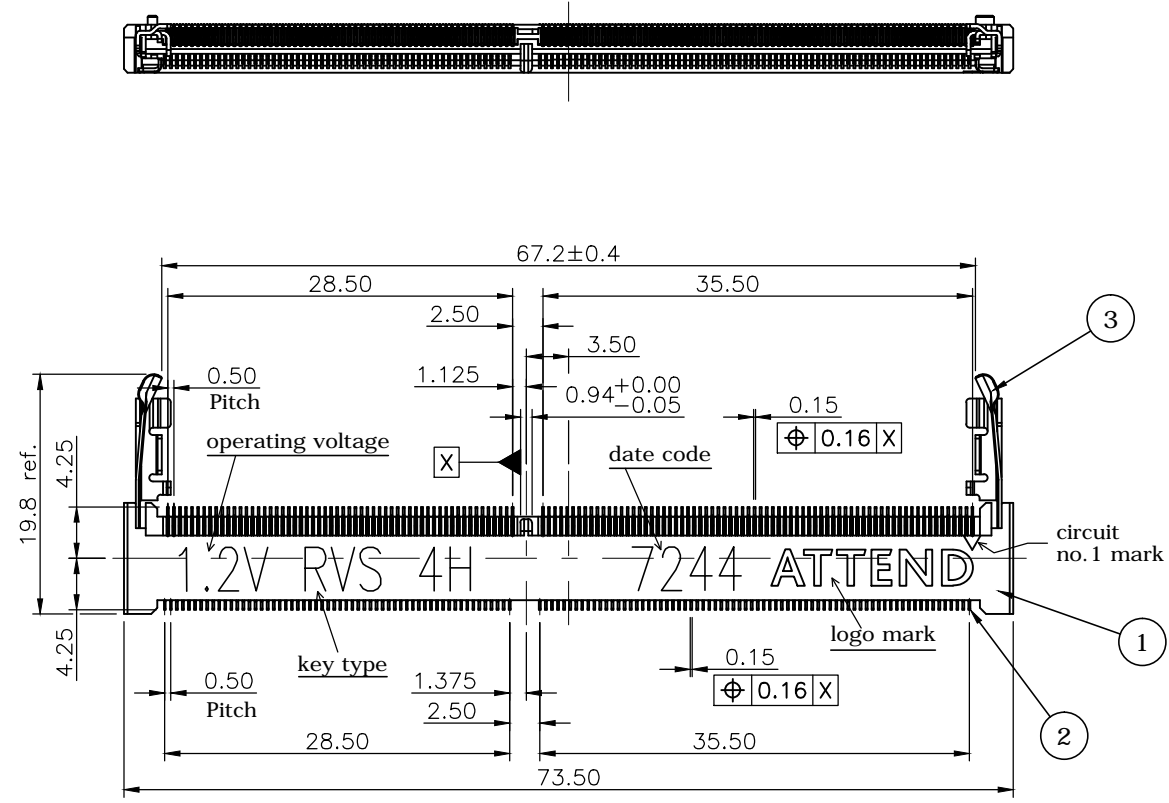
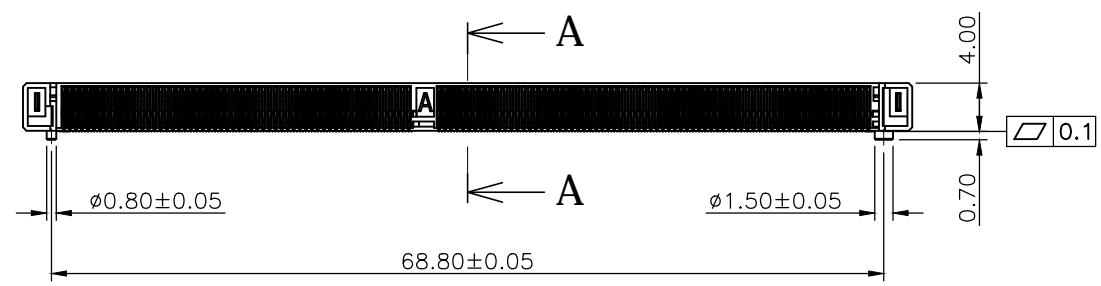


| REV. | DESCRIPTION     | DRAWN | DATE       |
|------|-----------------|-------|------------|
| 1    | Initial release | FROS  | 2017/09/01 |

DATE CODE: 7244 (YWWDD)  
 Y: YEAR (2017)  
 WW: WEEK (01~52)  
 D: DAY (1~7)



SECTION A-A, SCALE 4/1

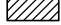


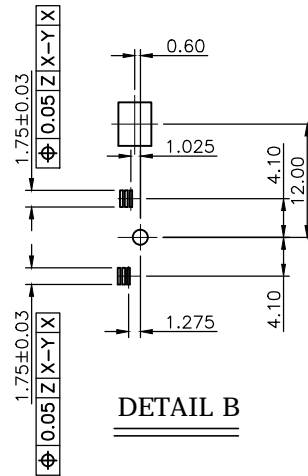
|                                      |            |  |   |      |    |           |                |
|--------------------------------------|------------|--|---|------|----|-----------|----------------|
| 3                                    | LATCH      | SUS, matt-tin plating over nickel on solder area |   |      |    |           |                |
| 2                                    | CONTACT    | Copper alloy, selective gold plating over nickel |   |      |    |           |                |
| 1                                    | HOUSING    | LCP, UL94V-0, Black                              |   |      |    |           |                |
| NO. PART NAME                        |            | DESCRIPTION                                      |   |      |    |           |                |
| UNLESS OTHERWISE SPECIFIED TOLERANCE |            |  |   |      |    |           |                |
| UNIT:                                | DECIMAL    | LINEAR   | ANGLES  |      |    |           |                |
|                                      | X.         | ±0.50  | ±5°   |      |    |           |                |
|                                      | X.X        | ±0.25  | ±3°   |      |    |           |                |
|                                      | X.XX       | ±0.12  | ±1°   |      |    |           |                |
| www.attend.com.tw                    |            |  |   |      |    |           |                |
| DRAWN                                | Fros       | 2017/02/23                                       | DRAWN NAME:<br>DDR4 SODIMM Horizontal Socket<br>4.0H, RVS, G/F, Black, Reel, Solder Latch |      |    |           |                |
| CHECKED                              | Tim        | 2017/02/23                                       |   |      |    |           |                |
| APPROVED                             | Ken        | 2017/02/23                                       |   |      |    |           |                |
| PRODUCT NO.                          | 124A-40A10 |  |   |      |    |           |                |
| SCALE                                | 1.6/1      | SHEET  | 1/2   | SIZE | A4 | FILE NAME | 124A-40A10_B_1 |



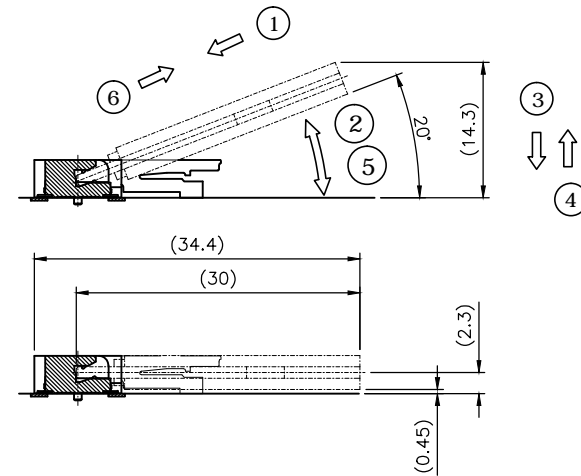
|      |               |       |      |
|------|---------------|-------|------|
| REV. | DESCRIPTION   | DRAWN | DATE |
|      | see sheet one |       |      |

NOTE:

1. A PCB side be DETAM-"Z"
2. Connector outline. no component area.
3. Latch moving area. no component area.
4.  PAD

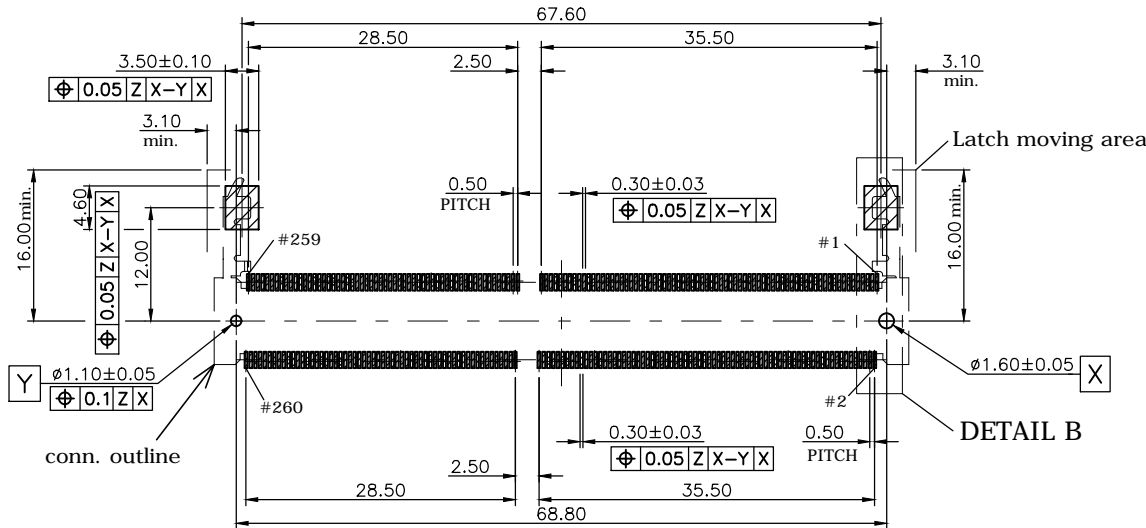


**DETAIL B**



MATING: ① INSERTING(20°) → ② ROTATING(0°) → ③ FIXED  
 UNMATING: ④ UNFIXED → ⑤ RISE UP (20°) → ⑥ EXTRACTING

**MATING/UNMATING VIEW**



**RECOMMENDED LAYOUT (TOP VIEW)**  
**GENERAL TOLERANCE: ±0.05**

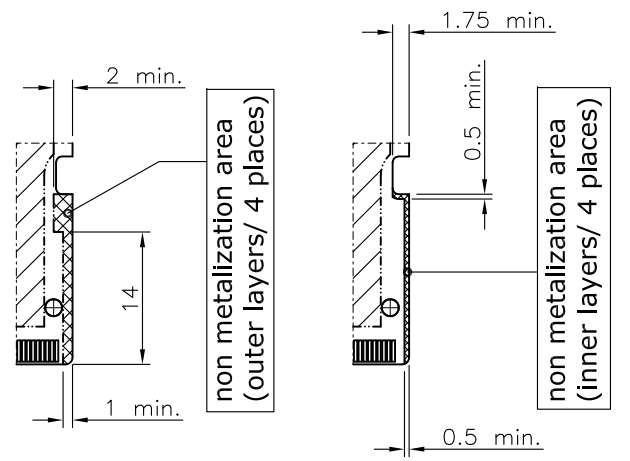
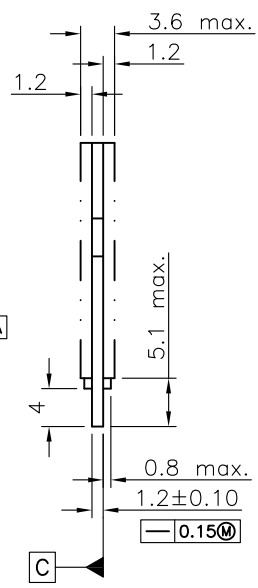
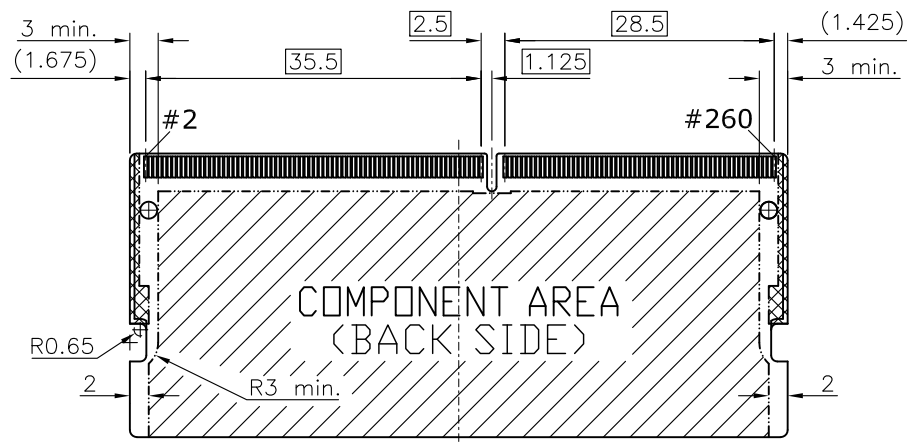
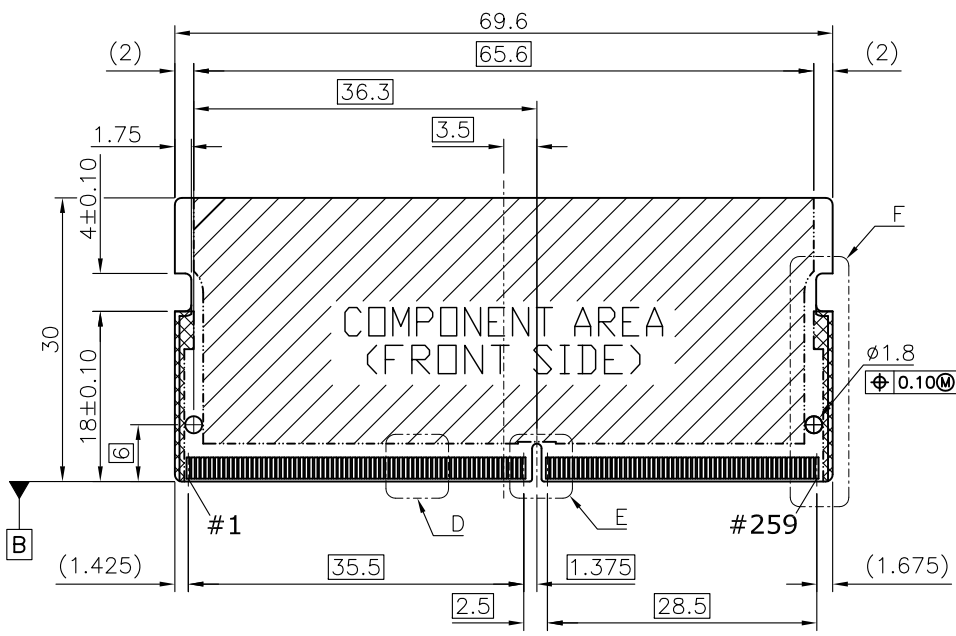
|                                      |         |        |        |
|--------------------------------------|---------|--------|--------|
| UNLESS OTHERWISE SPECIFIED TOLERANCE |         |        |        |
| UNIT:                                | DECIMAL | LINEAR | ANGLES |
| mm                                   | X.      | ±0.50  | ±5°    |
|                                      | X.X     | ±0.25  | ±3°    |
|                                      | X.XX    | ±0.12  | ±1°    |



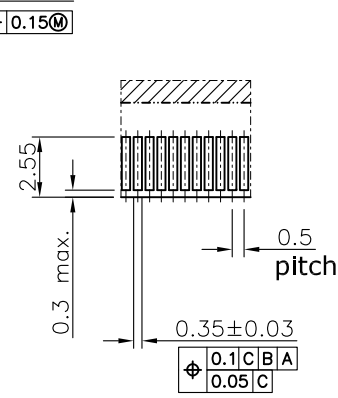
www.attend.com.tw

|          |        |            |   |
|----------|--------|------------|---|
| DRAWN    | Fros   | 2017/02/23 | DRAWN NAME:                               |
| CHECKED  | Tim    | 2017/02/23 | DDR4 SODIMM Horizontal Socket             |
| APPROVED | Ken    | 2017/02/23 | 4.0H, RVS, G/F, Black, Reel, Solder Latch |
| SCALE    | 1.25/1 | SHEET      | PRODUCT NO. 124A-40A10                    |
|          |        | SIZE       | FILE NAME 124A-40A10_B_1                  |
|          |        | A4         |   |

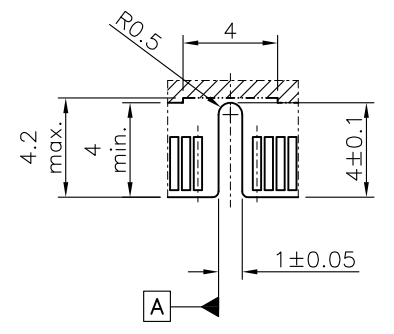
| REV. | DESCRIPTION     | DRAWN | DATE       |
|------|-----------------|-------|------------|
| 1    | INITIAL RELEASE | FROS  | 2017/02/23 |



**Detail F**




**Detail D**  
**SCALE 3.125**

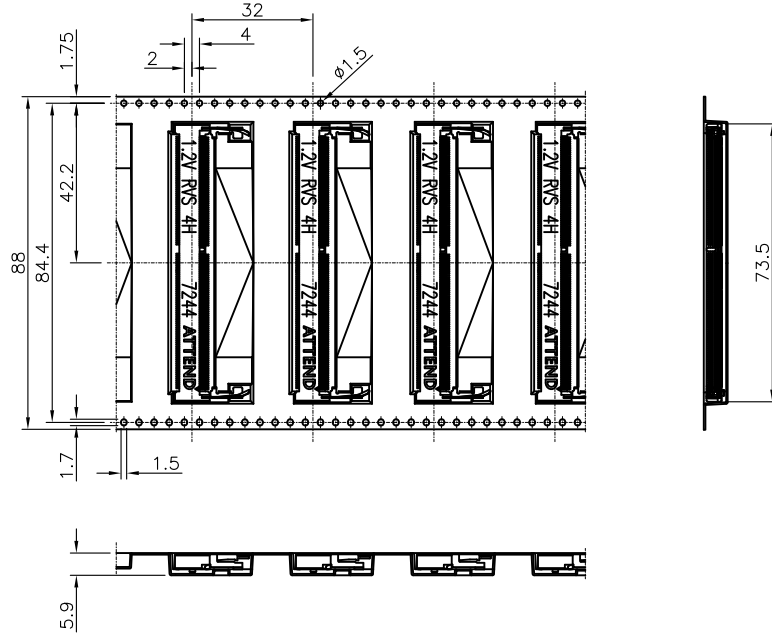
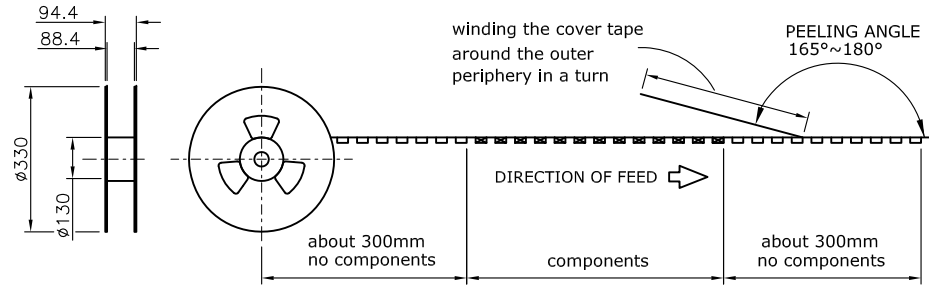


**Detail E**  
**SCALE 3.125**

Note: tolerance on dimensions is ±0.15 unless otherwise specified.

| UNLESS OTHERWISE SPECIFIED TOLERANCE |         |            |                                       |  |  |
|--------------------------------------|---------|------------|---------------------------------------|---|--|
| UNIT:                                | DECIMAL | LINEAR     | ANGLES                                |   |  |
| mm                                   | X.      | ±0.50      | ±5°                                   | www.attend.com.tw   |  |
|                                      | X.X     | ±0.25      | ±3°                                   |   |  |
|                                      | X.XX    | ±0.12      | ±1°                                   |   |  |
| DRAWN                                | Fros    | 2017/02/23 | DRAWN NAME:<br>DDR4 SODIMM CARD SPEC. |   |  |
| CHECKED                              | Tim     | 2017/02/23 | PRODUCT NO.                           |   |  |
| APPROVED                             | Ken     | 2017/02/23 | FILE NAME<br>124-CARD_B_1             |   |  |
| SCALE                                | SHEET   | SIZE       |                                       |   |  |
| 1.25/1                               | 1/1     | A4         |                                       |   |  |

| REV. | DESCRIPTION               | DRAWN | DATE       |
|------|---------------------------|-------|------------|
| 1    | INITIAL RELEASE           | FROS  | 2017/08/03 |
| 2    | Revised to 300 Piece/Reel | FROS  | 2018/04/30 |



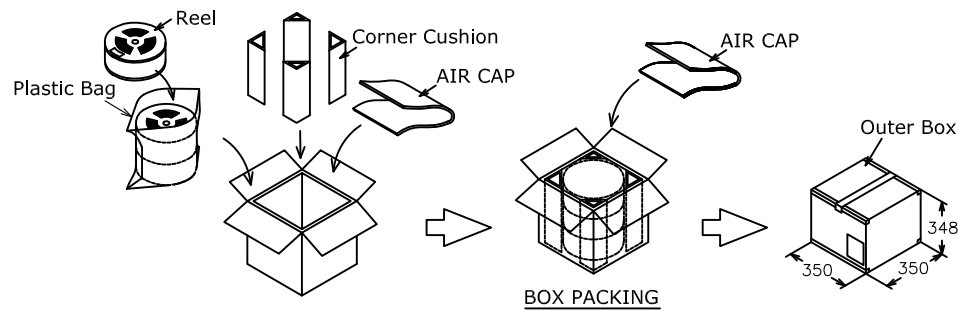
## PACKAGING SPECIFICATION:

### 1. MATERIAL

- 1.1 Embossed Carrier Tape: PS Black
- 1.2 Top Cover Tape: PET  
0.1N-1.5N (Peel Speed 300mm/Minute)
- 1.3 Taping Reel: Plastic

### 2. PACKING

- 2.1 Quantity:  
300 Piece/Reel  
3 Reel/Carton  
900 Piece/Carton
- 2.2 Weight: 6.5Kg




| NO. | P/N        | Description                             |
|-----|------------|---|
| 1   | 124A-40A00 | DDR4 Horizontal 4.0H, STD, Solder Latch |
| 2   | 124A-40A10 | DDR4 Horizontal 4.0H, RVS, Solder Latch |

| UNLESS OTHERWISE SPECIFIED TOLERANCE |         |        |        |
|--------------------------------------|---------|--------|--------|
| UNIT:                                | DECIMAL | LINEAR | ANGLES |
| mm                                   | X.      | ±0.50  | ±5°    |
|                                      | X.X     | ±0.25  | ±3°    |
|                                      | X.XX    | ±0.12  | ±1°    |

|               |  |  |                           |  |  |
|---------------|--|--|---------------------------|--|--|
| DRAWN: Fros   |  |  | 2017/08/03                |  | <br>www.attend.com.tw |
| CHECKED: Tim  |  |  | 2017/08/03                |  |  |
| APPROVED: Ken |  |  | 2017/08/03                |  |  |
| SCALE: N/A    |  |  | SHEET: 1/1                |  |  |
| SIZE: A4      |  |  | FILE NAME: 124A-40AX0_D_2 |  |  |