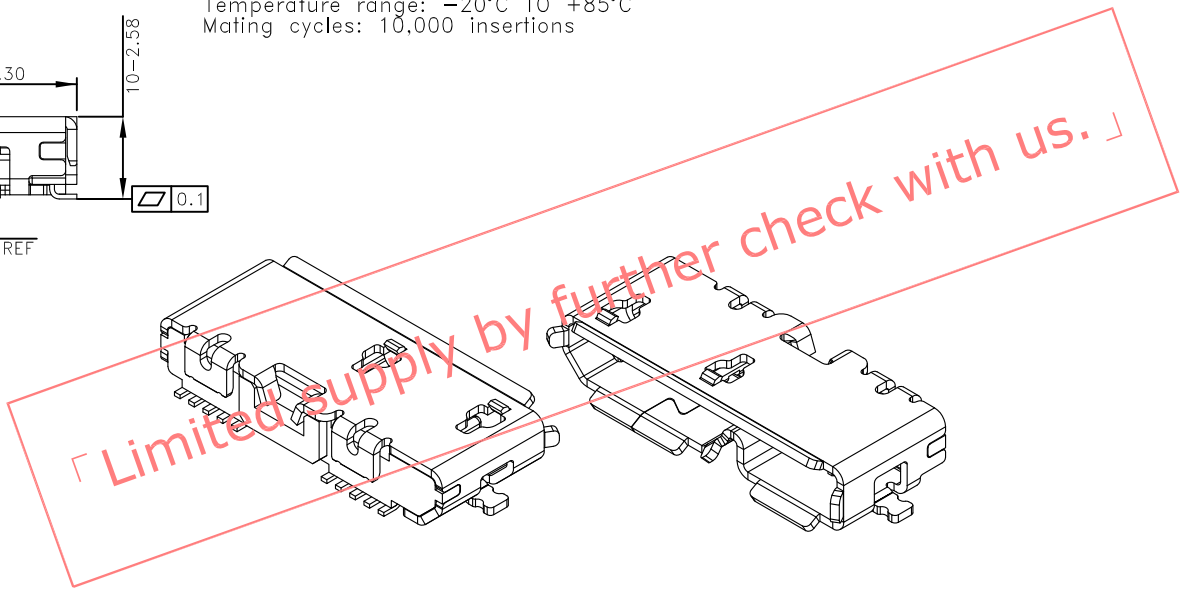


SPECIFICATION
MATERIAL
 Insulator: Thermoplastic, rated UL94V-0
 Contacts: Copper Alloy
 Shell: Steel
CONTACT PLATING
 Underplate: 50u"~100u" Nickel
 Contact area: 15u" Gold
 Solder tails area: 100u"~200u" Tin/Lead Free(Matte)
ELECTRICAL
Current rating:
 1.8 Amps (max) shall be applied to Vbus pin and its corresponding GND Pin.
 0.25 Amp (Min) shall be applied to all the other contacts.
Contact resistance:
 30 mΩ (Max) initial for VBUS and GND Contacts.
 50 mΩ (Max) initial for All Other Contacts.
 Insulation resistance: 100 Mohms min @ 250 VDC
 Dielectric withstanding voltage: 100 VAC / minute
 Temperature range: -20°C TO +85°C
 Mating cycles: 10,000 insertions



Product Number	Description
209E-BE00	Micro USB3.0 B Receptacle, SMT Type ,15u" Gold Plating

UNLESS OTHERWISE SPECIFIED TOLERANCE		
ANGLES	ANG.	±5°
LINEAR	0.	±0.3
	0.0	±0.25
	0.00	±0.20
SCALE	AS SHOWN	UNIT: mm
DRAWN	Willis	2012/08/03
CHECKED	Angel	2012/08/03
APPROVED	Ken	2012/08/03



www.attend.com.tw
 DRAWN NAME:
 Micro USB3.0 B Receptacle SMD Type
 PRODUCT NO. 209E-BE00

Revise:
 Revise:
 Revise:

REV.	DESCRIPTION	DATE	REV.	DESCRIPTION	DATE	SIZE	REV.	FILE NAME
1			4			A4	1.0	209E-BE00_B_4

