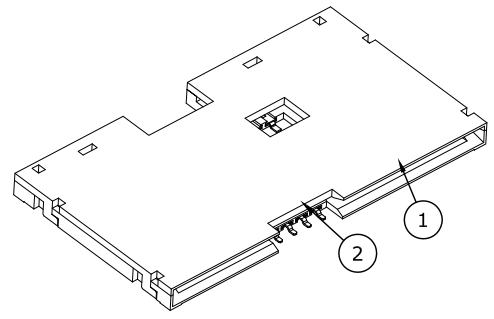
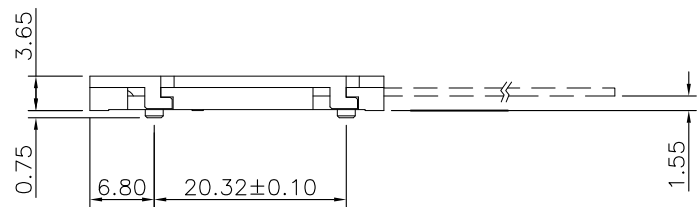
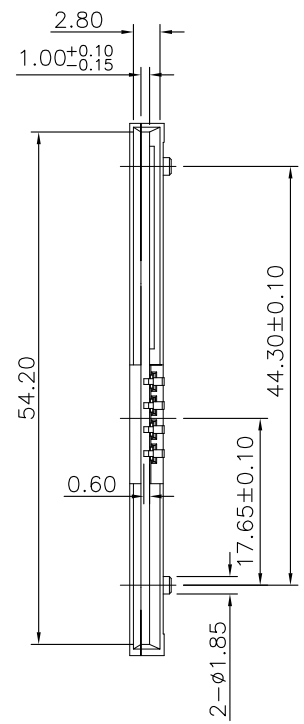
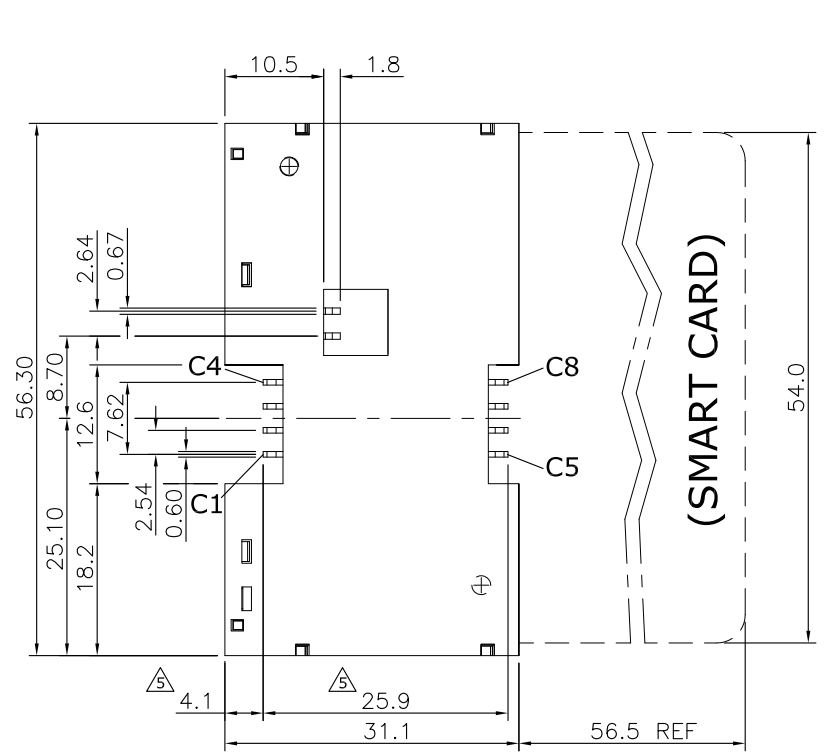


REV.	DESCRIPTION	DRAWN	DATE
3	CORRECTED PIN DIM.	TIM	2017/07/31
4	CORRECTED PIN DIM.	TIM	2017/10/05
5	CORRECTED PIN DIM.	TIM	2018/12/28



SPECIFICATION:

1. ELECTRICAL
 - 1.1 Rating: 30V 1A max.
 - 1.2 Contact Resistance: 100mΩ max.
 - 1.3 Insulation Resistance: 1000MΩ
 - 1.4 Dielectric Withstanding Voltage: 500VAC
2. MECHANICAL
 - 2.1 Insertion Depth: 31.1mm
 - 2.2 Card Thickness: 0.7mm to 0.8mm
3. ENVIRONMENTAL
 - 3.1 Operating temperature range: -40°C~+85°C
 - 3.2 Storage temperature range: -40°C~+85°C
4. SOLDER ABILITY
 - 4.1 Recommended IR Reflow(Wave Soldering) Temperature: 260°C

2	CONTACT	Phosphor Bronze, 3u" Au on contact area, 100u" Sn on tail area, under plated 30-50u" Ni over all	
1	INSULATOR	LCP, UL94V-0, Black	
NO.	PART NAME	DESCRIPTION	
UNLESS OTHERWISE SPECIFIED TOLERANCE			
UNIT:	DECIMAL	LINEAR	ANGLES
mm	X.	±0.50	±5°
	X.X	±0.25	±3°
	X.XX	±0.12	±1°
DRAWN: Fros			2015/06/05
CHECKED: Zola			2015/06/05
APPROVED: Ken			2015/06/05
DRAWN NAME:		Smart Card Socket, SMD, Normal Open	
PRODUCT NO.		116G-SB00	
SCALE	SHEET	SIZE	FILE NAME
1.25	1/2	A4	116G-SB00_B_5



WWW.ATTEND.COM.TW