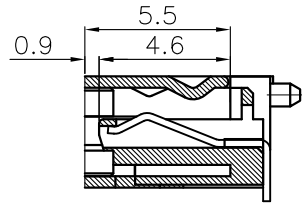
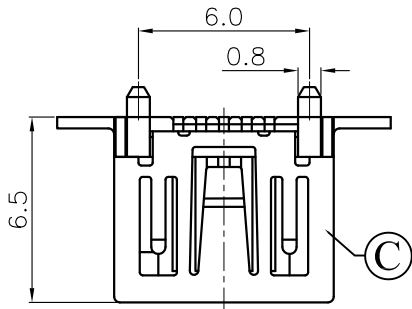


SWITCH CIRCUIT

MATERIAL AND FINISH AS BELOW

WHEN CARD IS EJECTED      WHEN CARD IS INSERTED

A	Housing	LCP UL94V-0, Color:Black	E		
B	Contact	Phosphor Bronze C5191,Gold Plating	F		
C	Shell	BrassC2680,Nickel Plating	G		
D	Cap	LCP UL94V-0, Color:Black	H		



PRODUCT NUMBER:  
202G-F D N 0 -R  
1 2 3

**SPECIFICATION:**

**1. ELECTRICAL**

- 1.1 Current Rating: 2A
- 1.2 Voltage Rating: 30VAC/DC
- 1.3 Contact Resistance: 50mΩ Max
- 1.4 Insulation Resistance: 1000MΩ Min. 500VDC
- 1.5 Dielectric Withstanding Voltage: 500VAC for 1 minute

1.Type

F:Female type, For PCB

2.Contact Plating

D:10u" gold plating

3.Shell Plating

N:Nickel plating

**2. MECHANICAL**

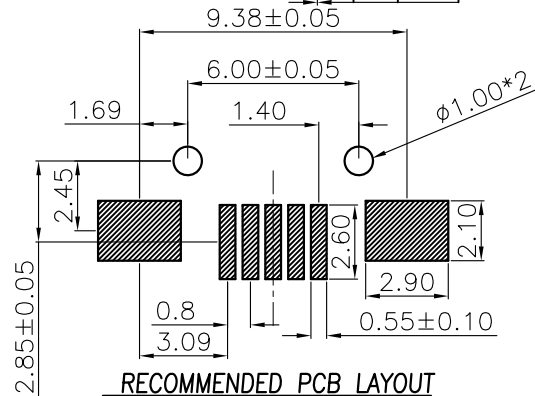
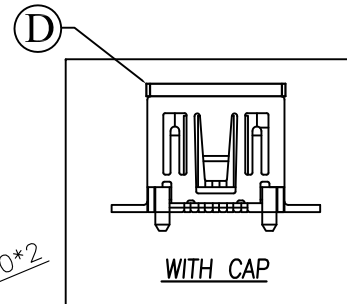
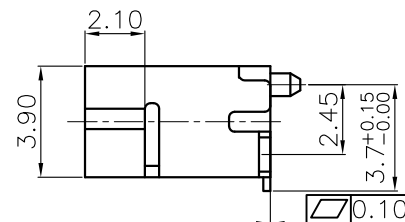
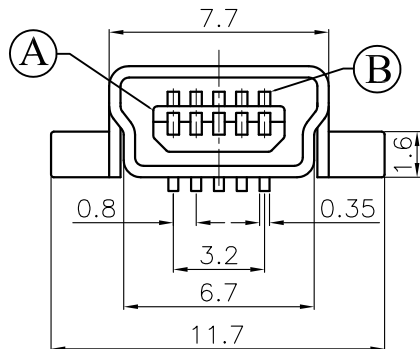
- 2.1 Durability: 5000 Cycle
- 2.2 Insertion Force: 3.57Kgf Max
- 2.3 Extraction Force: 0.71Kgf Min

**3. ENVIRONMENTAL**

- 3.1 Operating temperature range: -20° to +85°
- 3.2 Storage temperature range: -20° to +60°

**4. SOLDER ABILITY**

- 4.1 Recommended IR Reflow Temperature: 260°C±5°C



P1	P2	P3	P4	P5	P6	P7	P8	P9	P10	P11	P12
----	----	----	----	----	----	----	----	----	-----	-----	-----

PIN ASSIGNMENT

PRODUCT NO.

DESCRIPTION

UNLESS OTHERWISE SPECIFIED TOLERANCE

ANGLES	ANG.	±5°
LINEAR	0.	±0.3
	0.0	±0.25
	0.00	±0.20

SCALE AS SHOWN UNIT: mm

DRAWN Willis 2012/08/03

CHECKED Angel 2012/08/03

APPROVED Ken 2012/08/03



www.attend.com.tw

DRAWN NAME: Mini USB B Receptacle Straight SMD Type

PRODUCT NO. 202G-FDN0-R

FILE NAME 202G-FDN0-R\_B\_5

- △ Revise:
- △ Revise:
- △ Revise:

REV.	DESCRIPTION	DATE	REV.	DESCRIPTION	DATE	SIZE	REV.	FILE NAME
1			4			A4	1.0	202G-FDN0-R_B_5