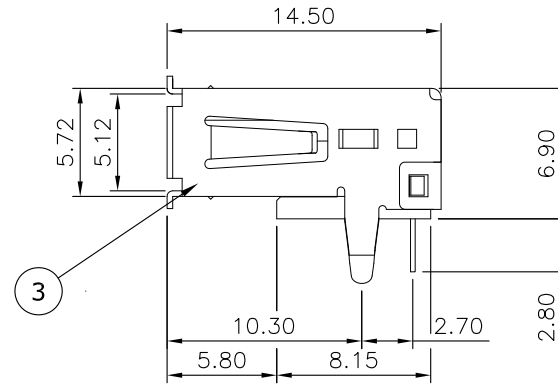
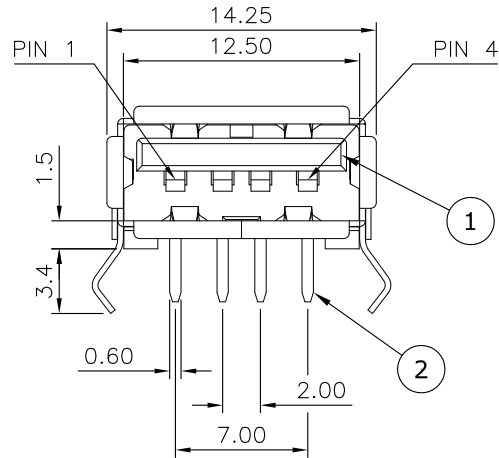
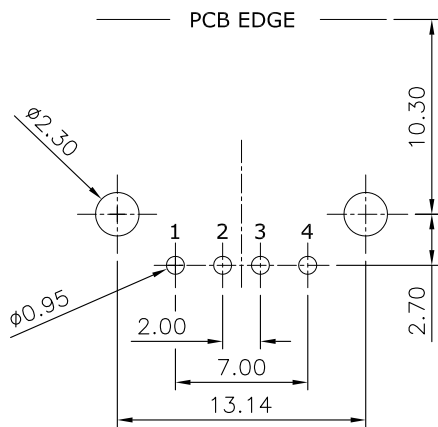


REV.	DESCRIPTION	DRAWN	DATE
1	INITIAL RELEASE	Willis	2012/05/16
2	REVISED FRAME	Willis	2014/08/03
3	REVISED FRAME	Fros	2014/12/29



SPECIFICATION:

1. Contact Resistance: 30mΩ Max.
2. Insulation Resistance: 1000MΩ Min. at 500VDC
3. Rated Voltage and Current: 1.5A at 250VAC Min.
4. Dielectric Withstanding Voltage: 750VAC (rms) for 1 Minute (rev.1.1)
5. Durability (Life Test): 1,500 Cycles
6. Insertion Force: 35N Max.
7. Extraction Force: 10N Min.



RECOMMEND PCB LAYOUT
BOTTOM VIEW
GENERAL TOLERANCE: ±0.1mm

PRODUCT NUMBER:

205B-D A N 0 - R
1 2 3 4 5

1. Type
D: Through hole
2. Contact Plating
A: Gold Flash
3. Shell Plating
N: Nickel Plating
4. Top or Reverse
0: Top Mount
5. RoHS

3	SHELL	BRASS T0.3, NI 80~120u" PLATED		
2	CONTACT	PHOSPHOR BRONZE T0.25, PLATING: GOLD: 1~3u" (CONTACT) Ni: 40~60u", Tin: 120u" (Solder area)		
1	HOUSING	PBT G/F, WHITE		
NO.	PART NAME	DESCRIPTION		
UNLESS OTHERWISE SPECIFIED TOLERANCE				
UNIT:	DECIMAL	LINEAR	ANGLES	
mm	X.	±0.50	±5°	
	X.X	±0.25	±3°	
	X.XX	±0.12	±1°	
WWW.ATTEND.COM.TW				
DRAWN	Willis	2012/05/16	DRAWN NAME: USB A Receptacle, Top Mount DIP Type, White	
CHECKED	Angel	2012/05/16		
APPROVED	Ken	2012/05/16	PRODUCT NO.	205B-DAN0-R
	SCALE	SHEET	SIZE	FILE NAME
	2.5/1	1/1	A4	205B-DAN0-R_B_3

